

**MEF EMC-FILTER 1-PHASE 1-STAGE**

I:20A U:250 VAC/300 VDC snap on

Art.No.: 10416

Weight: 0.312

Country of origin: IT

Model designation: MEF 1/1 20 A T

Current: 20 A

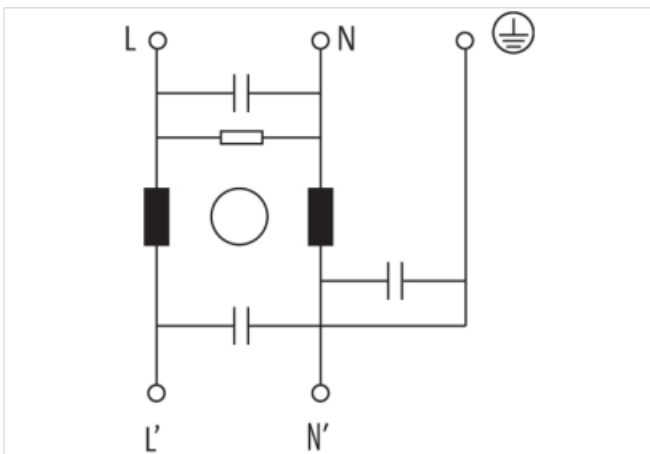
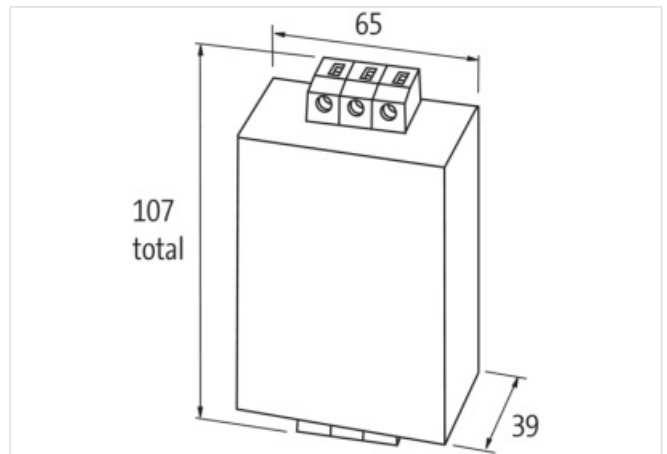
DIN-rail mountable

for universal applications

Attenuation curves on request.

[Link to Product](#)

**Illustration**



Product may differ from Image



**Header**

Material short text MEF 1/1 20 A T

**Commercial data**

URL Webshop	<a href="https://shop.murrelektronik.com/10416">https://shop.murrelektronik.com/10416</a>
GTIN	4048879029391
ECLASS-6.0	27130806
ECLASS-6.1	27420201
ECLASS-7.0	27420290
ECLASS-7.1	27420290
ECLASS-8.0	27420290
ECLASS-8.1	27420290
ECLASS-9.0	27420208
ECLASS-9.1	27420290
ECLASS-10.0.1	27420290
ECLASS-10.1	27420208
ECLASS-11.0	27420290
ECLASS-11.1	27420208
ECLASS-12.0	27420208
ECLASS-13.0	27420290
ECLASS-14.0	27420290
ETIM-5.0	EC002498
ETIM-6.0	EC002498
ETIM-7.0	EC002498
ETIM-8.0	EC002498
customs tariff number	85363030
EAN	4048879029391
Packaging unit	1

**Electrical data**

Leakage current max.	5 mA @ 250 V AC, 50 Hz
----------------------	------------------------

**Electrical data | Supply**

Power frequency	50 ... 60 Hz
Operating voltage AC max.	250 V
Operating voltage DC max.	300 V

**Electrical data | Output**

Overload current	18× (IN t) max. 0.5 ms; 1.5× (IN t) max. 1 min. (1× per hour)
------------------	---

**Installation**

Connection cross-section solid min.	0.2 mm <sup>2</sup>
Connection cross-section solid max.	6 mm <sup>2</sup>
Connection cross-section stranded/fine-stranded min.	0.2 mm <sup>2</sup>
Connection cross-section stranded/fine-stranded max.	4 mm <sup>2</sup>
AWG number solid min.	24
AWG number solid max.	9
AWG number stranded/fine stranded min.	24
AWG number stranded/fine stranded max.	11

**Device protection | Electrical**

Insulation test voltage L-N	27 kV
Insulation test voltage L-L	21 kV
Duration insulation test voltage	2 s

**Mechanical data | Mounting data**

Height	107 mm
Width	56 mm
Depth	39 mm
Mounting method	geschnappt
Suitable for mounting type	Mounting rail TH35, (EN 60715)

**Environmental characteristics | Climatic**

Climatic category (EN IEC 60068-1) 25/085/21

**Connection type 3**

Family construction form	terminal
No. of poles	1
Color contact carrier	yellow
Connection	Screw terminals SK
PIN 1	PE
Family construction form	terminal
No. of poles	2
Color contact carrier	gray
Connection	Screw terminals SK
PIN 1	L
PIN 2	N
Family construction form	terminal
No. of poles	2
Color contact carrier	gray
Connection	Screw terminals SK
PIN 1	L'
PIN 2	N'