

MIRO 6.2 24VDC-1U OUTPUT RELAY

IN: 24 VAC/DC - OUT: 250 VAC/DC / 6 A

Art.No.: 52001

Weight: 0.035 kg

Country of origin: CZ

Model designation: MIRO 6,2-1AUSG.REL.24V-1U

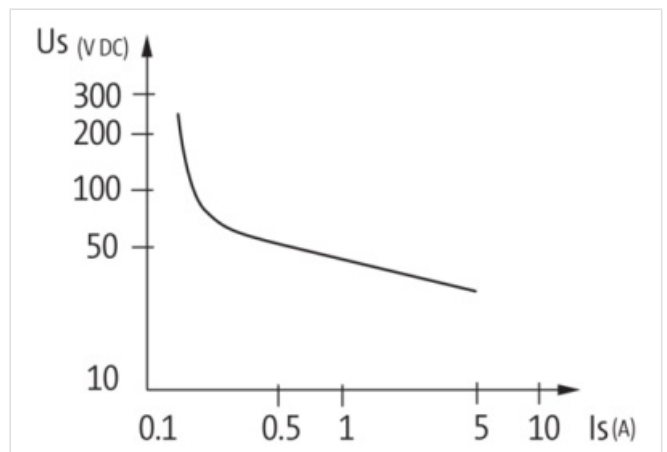
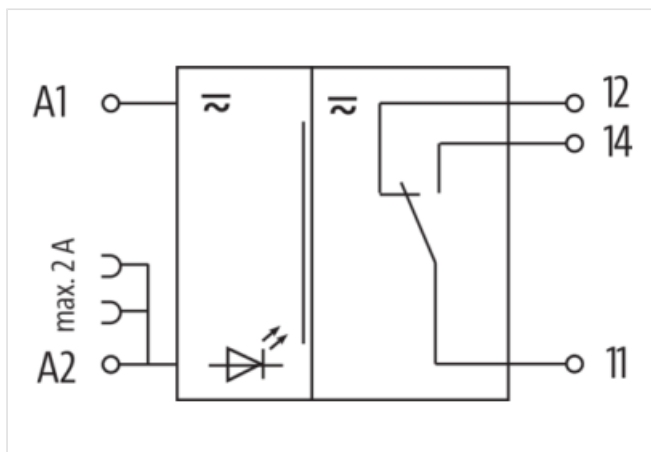
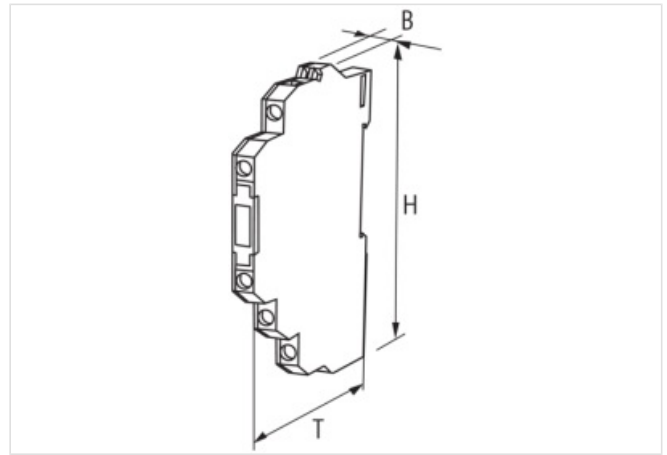
1 NO/NC contact

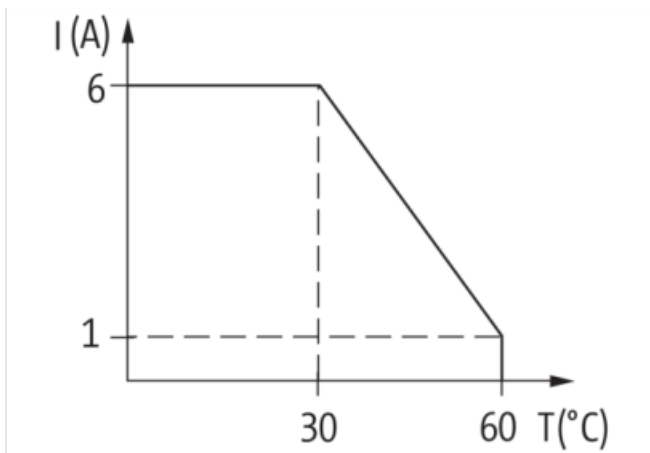
6 A

24 V AC/DC

Screw terminals

safe separation (EN 60947-1)

[Link to Product](#)**Illustration**



Product may differ from Image



Header

Material short text MIRO 6,2-1AUSG.REL.24V-1U

Commercial data

URL Webshop <https://shop.murrelektronik.com/52001>

GTIN 4048879027304

ECLASS-6.0 27371001

ECLASS-6.1 27371601

ECLASS-7.0 27371601

ECLASS-7.1 27371601

ECLASS-8.0 27371601

ECLASS-8.1 27371601

ECLASS-9.0 27371601

ECLASS-9.1 27371601

ECLASS-10.0.1 27371601

ECLASS-10.1 27371601

ECLASS-11.0 27371601

ECLASS-11.1 27371601

ECLASS-12.0 27371601

ECLASS-13.0 27371601

ECLASS-14.0 27371601

ETIM-5.0 EC001437

ETIM-6.0 EC001437

ETIM-7.0 EC001437

ETIM-8.0 EC001437

customs tariff number 85364900

EAN 4048879027304

Packaging unit 1

Electrical data | Input

Input voltage AC 24 V

Input voltage AC min. 19,2 V

Input voltage AC max. 30 V

Input voltage DC 24 V

Input voltage DC min. 19,2 V

Input voltage DC max.	30 V
Input current	17 mA
Electrical data Output	
Switching voltage AC max.	250 V
Switching voltage DC max.	250 V
Switching current max.	6 A
Switching current DC	100 mA
Switching frequency max.	10 Hz
Power rating AC max.	1.500 VA
Power rating DC max.	120 W
Utilization category AC-12 (EN IEC 60947-5-1)	6 A @ 24 V 6 A @ 110 V 6 A @ 230 V
Utilization category AC-15 (EN IEC 60947-5-1)	3 A @ 24 V 3 A @ 110 V 3 A @ 230 V
Utilization category DC-13 (EN IEC 60947-5-1)	1 A @ 24 V 0.2 A @ 110 V 0.1 A @ 230 V
Diagnostics	
Status indication LED	green
Device protection	
Condition lifetime	load-dependent
Device protection Electrical	
Electrical lifetime	0 cycles
Rated surge voltage	4 kV
Device protection Mechanical	
Mechanical endurance	0 cycles
Mechanical data	
Response time max.	10 ms
Drop-out time max.	15 ms
Bounce time max.	1,5 ms
Mechanical data Material data	
Material contact	Ag Sn O ₂
Mechanical data Mounting data	
Height	91 mm
Width	6,2 mm
Depth	71 mm
Mounting method	geschnappt
Suitable for mounting type	(EN 60715), mounting rail
Environmental characteristics Climatic	
Operating temperature min.	-25 °C
Operating temperature max.	60 °C
Connection type 5	
Family construction form	terminal
No. of poles	1
Gender	female
Color contact carrier	green
Connection	Screw terminals SK
PIN 1	12
Family construction form	terminal
No. of poles	1
Gender	female
Color contact carrier	green
Connection	Screw terminals SK
PIN 1	11

Family construction form	terminal
No. of poles	1
Gender	female
Color contact carrier	green
Connection	Screw terminals SK
PIN 1	14
Family construction form	terminal
No. of poles	1
Gender	female
Color contact carrier	green
Connection	Screw terminals SK
PIN 1	A 1
Family construction form	terminal
No. of poles	1
Gender	female
Color contact carrier	green
Connection	Screw terminals SK
PIN 1	A 2