

MIRO 6.2 24V OUTPUT RELAY

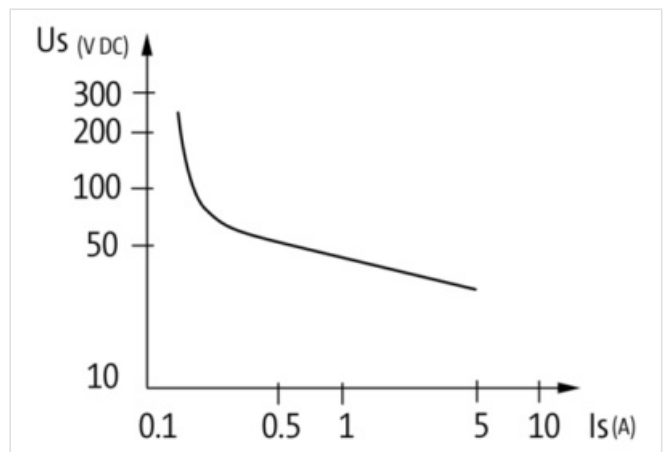
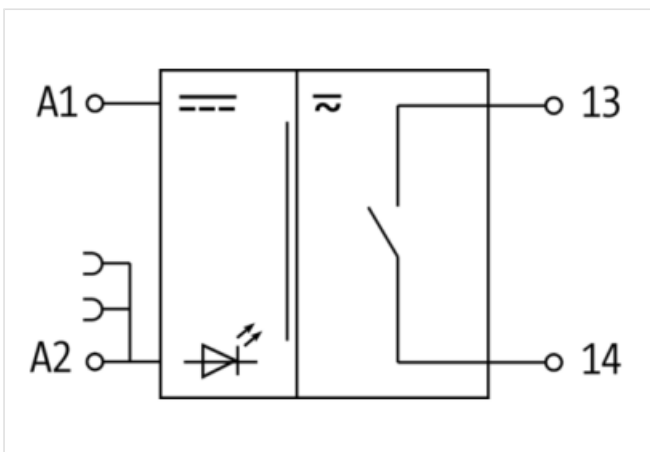
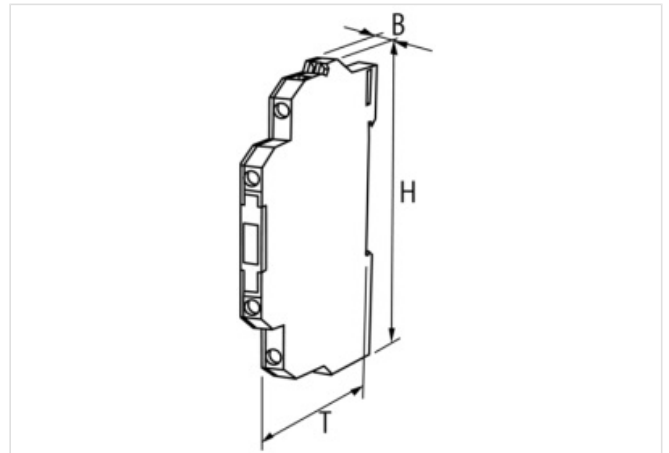
IN: 24 VAC/DC - OUT: 250 VAC/DC / 6 A

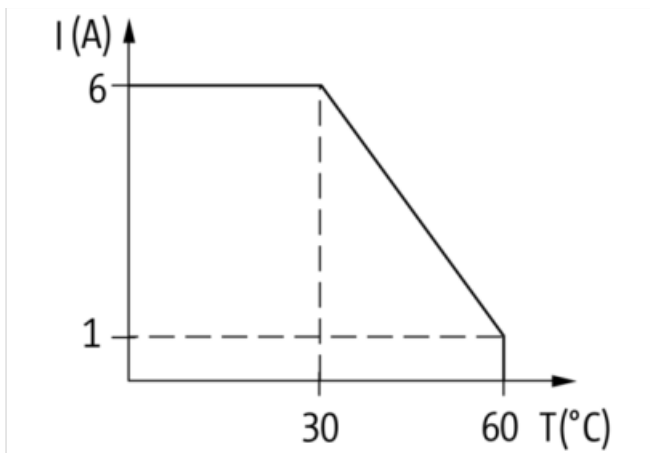
Art.No.: 52015
 Weight: 0.028 kg
 Country of origin: CZ
 Model designation: MIRO 6,2-1AUSG.REL.24V-1S

1 NO contact
 6 A
 24 V AC/DC
 Screw terminals
 safe separation (EN 60947-1)

[Link to Product](#)

Illustration





Product may differ from Image



Commercial data

URL Webshop	https://shop.murrelektronik.com/52015
GTIN	4048879027229
ECLASS-6.0	27371001
ECLASS-6.1	27371601
ECLASS-7.0	27371601
ECLASS-7.1	27371601
ECLASS-8.0	27371601
ECLASS-8.1	27371601
ECLASS-9.0	27371601
ECLASS-9.1	27371601
ECLASS-10.0.1	27371601
ECLASS-10.1	27371601
ECLASS-11.0	27371601
ECLASS-11.1	27371601
ECLASS-12.0	27371601
ECLASS-13.0	27371601
ECLASS-14.0	27371601
ETIM-5.0	EC001437
ETIM-6.0	EC001437
ETIM-7.0	EC001437
ETIM-8.0	EC001437
customs tariff number	85364900
EAN	4048879027229
Packaging unit	1

Electrical data | Input

Input voltage DC	24 V
Input voltage DC min.	19,2 V
Input voltage DC max.	30 V
Input current	17 mA

Electrical data | Output

Switching voltage AC max.	250 V
Switching voltage DC max.	250 V

Switching current max.	6 A
Switching current DC	100 mA
Switching frequency max.	10 Hz
Power rating AC max.	1.500 VA
Power rating DC max.	120 W
Utilization category AC-12 (EN IEC 60947-5-1)	6 A @ 24 V 6 A @ 110 V 6 A @ 230 V
Utilization category AC-15 (EN IEC 60947-5-1)	3 A @ 24 V 3 A @ 110 V 3 A @ 230 V
Utilization category DC-13 (EN IEC 60947-5-1)	1 A @ 24 V 0.2 A @ 110 V 0.1 A @ 230 V

Diagnostics

Status indication LED	green
-----------------------	-------

Device protection

Condition lifetime	load-dependent
--------------------	----------------

Device protection | Electrical

Electrical lifetime	0 cycles
Rated surge voltage	4 kV

Device protection | Mechanical

Mechanical endurance	0 cycles
----------------------	----------

Mechanical data

Response time max.	10 ms
Drop-out time max.	15 ms
Bounce time max.	1,5 ms

Mechanical data | Material data

Material contact	Ag Sn O ₂
------------------	----------------------

Mechanical data | Mounting data

Height	78 mm
Width	6,2 mm
Depth	70 mm
Mounting method	geschnappt
Suitable for mounting type	(EN 60715), mounting rail

Environmental characteristics | Climatic

Operating temperature min.	-20 °C
Operating temperature max.	55 °C

Connection type 4

Family construction form	terminal
No. of poles	1
Gender	female
Color contact carrier	green
Connection	Screw terminals SK
PIN 1	13
Family construction form	terminal
No. of poles	1
Gender	female
Color contact carrier	green
Connection	Screw terminals SK
PIN 1	14
Family construction form	terminal
No. of poles	1
Gender	female
Color contact carrier	green
Connection	Screw terminals SK
PIN 1	A 1

Family construction form	terminal
No. of poles	1
Gender	female
Color contact carrier	green
Connection	Screw terminals SK
PIN 1	A 2