

**IMPACT67 Pro EC DIO8 IOL8 M12L 5P**

EtherCAT, compact module, plastic

Art.No.: 54632

Weight: 0.47

Country of origin: DE

Model designation: IMPACT67 Pro EC DIO8 IOL8 M12L 5P

Digital inputs/outputs

IO-Link Master V1.1

M12 Power, 5-pole, L-coded

M12, 5-pole, A-coded

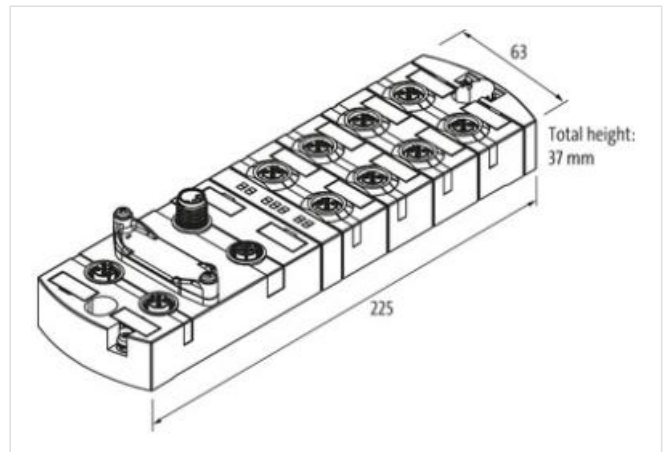
Housing fully potted.

Connection cables are in the online shop under "Connection Technology".

mounting compatible with I/O modules of the MVK series

[Link to Product](#)**Illustration**

Product may differ from Image

**Commercial data**

ECLASS-6.0	27242604
ECLASS-6.1	27242604
ECLASS-7.0	27242604
ECLASS-8.0	27242604
ECLASS-9.0	27242604
ECLASS-10.1	27242604
ECLASS-11.1	27242604
ECLASS-12.0	27242604
ETIM-5.0	EC001599
customs tariff number	85389099
customs tariff number	85389099
GTIN	4048879860017
GTIN	4048879860017
Packaging unit	1
Packaging unit	1

Electrical data   Supply	
Norm operating voltage	EN 61131-2
Operating voltage US DC	24 V
Operating voltage UA DC	24 V
Total current UA max.	16 A
Total current US max.	16 A
Electrical data   Input	
Type input	PNP, for 3-wire sensors or mechanical switches, IO-Link Devices
Overload resistant	yes
Short-circuit protected	yes
Sensor current US per input max.	2 A
Current carrying capacity max.	10 A
Electrical data   Output	
Actuator current UA per output max.	2 A
Overload resistant	yes
Short-circuit protected	yes
Output current per pin max.	2 A
Max. current output per port	4 A
Total current outputs max.	10 A
Industrial communication	
Web interface	yes
Industrial communication   Bus data	
Address setting type	Rotary switch, automatic
SYNC manager	4
Industrial communication   Ethercat	
EtherCAT function	ESM, EMCY
FMMU	8
Protocols EtherCAT	CoE, FoE, EoE, AoE
Industrial communication   IO-Link	
IO-Link type	8x Master
Port Class	A, B
IO-Link transmission rate	COM1, COM2, COM3
IO-Link process data length input	32 Bytes
IO-Link process data length output	32 Bytes
Automatic baudrate detection	yes
Industrial communication   IIoT functions	
Number of sessions / clients OPC UA max.	5
JSON integration	REST-API, MQTT
OPC UA transport	UA TCP, UA Secure Conversation, UA Binary Encoding
Voltage monitoring	yes
Current Monitoring	yes
Publishing interval OPC UA min.	100 ms
Diagnostics	
Actuator warning	per channel via LED and BUS
Diagnostic via BUS	per module and channel
Diagnostic via LED	per module and channel
IO-Link events	No voltage, Undervoltage supply
LED display	Ethernet connection/data traffic
Cable break	per port
Temperature control	yes
Device protection   Electrical	

Degree of protection (EN IEC 60529) IP67

#### Mechanical data | Mounting data

Suitable for mounting type	2-hole screw mounting
Height	37 mm
Width	63 mm
Depth	225 mm

#### Environmental characteristics | Climatic

Operating temperature min.	-40 °C
Operating temperature max.	70 °C
Storage temperature min.	-40 °C
Storage temperature max.	80 °C

#### Connection type 4

Connection type 1	X0-X7
Connection type 2	XD1
Connection type 3	XD2
Connection type 4	XF1, XF2
Family construction form	M12
Gender	female
Color contact carrier	gray
Coding	A
No. of poles	5
PIN 1	24 V DC
PIN 2	DI / DO
PIN 3	0 V
PIN 4	DI / DO / IO-Link
PIN 5	0 V
Family construction form	M12
Gender	male
Color contact carrier	black
Coding	L
No. of poles	5
PIN 1	24 V DC (US)
PIN 2	0 V
PIN 3	0 V
PIN 4	24 V DC (UA)
PIN 5	PE
Family construction form	M12
Gender	female
Color contact carrier	black
Coding	L
No. of poles	5
PIN 1	24 V DC (US)
PIN 2	0 V
PIN 3	0 V
PIN 4	24 V DC (UA)
PIN 5	PE
Mounting method	inserted, screwed
Tightening torque	0,6 Nm
Family construction form	M12
Gender	female
Color contact carrier	black
Coding	D
No. of poles	4

PIN 1	TD +
PIN 2	RD +
PIN 3	TD -
PIN 4	RD -