

## TREE 8TX metal GE - Unmanaged Gigabit Switch - 8 ports

Art.No.: 58173

Weight: 0.542 kg

Country of origin: TW

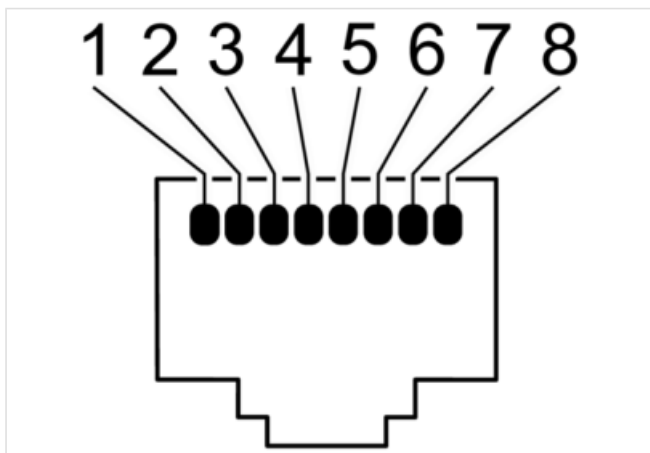
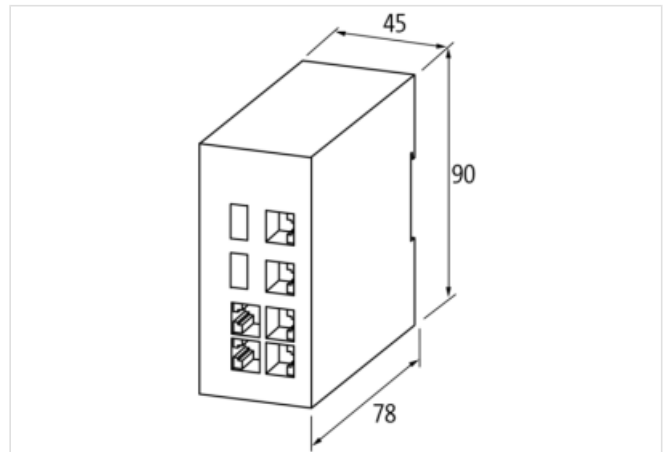
Model designation: TREE 8 TX Metal GE

8 port Gigabit unmanaged Switch

Connection cables are in the online shop under "Connection Technology".

### [Link to Product](#)

#### Illustration



Product may differ from Image



#### Commercial data

URL Webshop	<a href="https://shop.murrelektronik.com/58173">https://shop.murrelektronik.com/58173</a>
GTIN	4048879735582
Customs tariff number	85176200
ECLASS-6.0	19170106
ECLASS-6.1	19170106
ECLASS-7.0	19170106

The information in this Product-PDF has been compiled with the utmost care.

Liability for the correctness completeness and topicality of the information is restricted to gross negligence. Version: 2026-05-05

Murrelektronik Inc. | 1327 Northbrook Parkway, Suite 460 | Suwanee, GA 30024 | Fon +1 770 497-9292 | Fax +1 770 497-9391 | [shop@murrinc.com](mailto:shop@murrinc.com) | [shop.murrinc.com](http://shop.murrinc.com)

ECLASS-7.1	19170106
ECLASS-8.0	19170106
ECLASS-8.1	19170106
ECLASS-9.0	19170106
ECLASS-9.1	19170106
ECLASS-10.0.1	19170402
ECLASS-10.1	19170402
ECLASS-11.0	19170402
ECLASS-11.1	19170402
ECLASS-12.0	19170402
ECLASS-13.0	19170402
ECLASS-14.0	19170402
ETIM-5.0	EC000734
ETIM-6.0	EC000734
ETIM-7.0	EC000734
ETIM-8.0	EC000734
customs tariff number	85176200
EAN	4048879735582
Packaging unit	1

**Electrical data | Supply**

Operating voltage DC min.	9 V
Operating voltage DC max.	48 V
Current consumption max.	450 mA

**Industrial Communication**

Data transmission rate max.	1.000 Mbit/s
-----------------------------	--------------

**Industrial communication | Ethernet functionality**

VLAN unmanaged (IEEE 802.1Q)	Yes
Switch type	unmanaged
duplex	Full duplex
Auto-negotiation	Yes
Auto-crossover	Yes

**Diagnostics**

Alarm contact	No
Diagnostic	No voltage
LED display	Ethernet connection/data traffic

**Device protection | Electrical**

Degree of protection (EN IEC 60529)	IP40
Invers-polarity protection	Yes
Over voltage protection	Yes

**Mechanical data | Material data**

housing	Metal
Color housing	black

**Mechanical data | Mounting data**

Height	90 mm
Width	45,2 mm
Depth	78,7 mm
Mounting method	geschnappt
Suitable for mounting type	Mounting rail TH35, (EN 60715)

**Environmental characteristics | Climatic**

Operating temperature min.	-10 °C
Operating temperature max.	70 °C

Ambient temperature (storage, transport) -40 °C ... 85 °C

<b>Connection type 2</b>	
Connection type 1	8
Connection type 2	X1
Family construction form	RJ45
No. of poles	8
Gender	female
Color contact carrier	black
PIN 1	TD +
PIN 2	TD -
PIN 3	RD +
PIN 4	n.c.
PIN 5	n.c.
PIN 6	RD -
PIN 7	n.c.
PIN 8	n.c.
Family construction form	terminal
No. of poles	5
Gender	male
Color contact carrier	green
Connection	Plug-in terminals RK
PIN 1	24 V DC (UB 2)
PIN 2	0 V
PIN 3	24 V DC (UB 1)
PIN 4	0 V
PIN 5	PE