

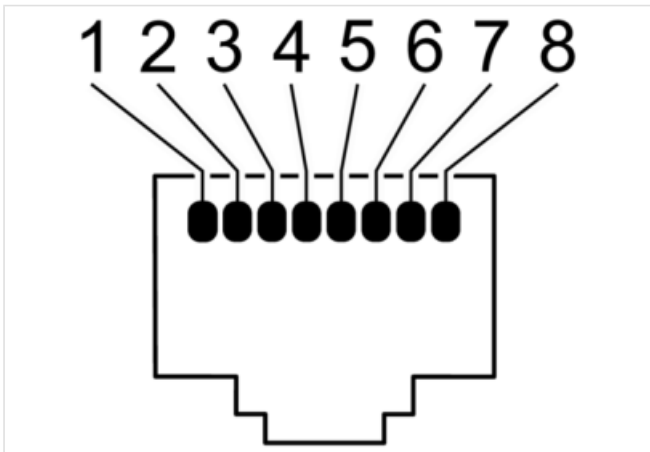
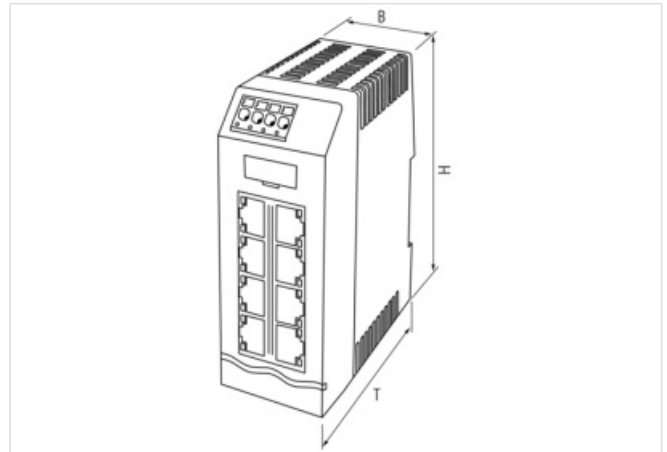
Xelity 8TX Unmanaged Switch 8 Port 100Mbit

Art.No.: 58812
 Weight: 0.133 kg
 Country of origin: DE
 Model designation: Xelity 8TX

8 port unmanaged switch
 Connection cables are in the online shop under "Connection Technology".

[Link to Product](#)

Illustration



Product may differ from Image



Commercial data

URL Webshop	https://shop.murrelektronik.com/58812
GTIN	4048879798808
Customs tariff number	85176200
ECLASS-6.0	19170106
ECLASS-6.1	19170106
ECLASS-7.0	19170106

ECLASS-7.1	19170106
ECLASS-8.0	19170106
ECLASS-8.1	19170106
ECLASS-9.0	19170106
ECLASS-9.1	19170106
ECLASS-10.0.1	19170402
ECLASS-10.1	19170402
ECLASS-11.0	19170402
ECLASS-11.1	19170402
ECLASS-12.0	19170402
ECLASS-13.0	19170402
ECLASS-14.0	19170402
ETIM-5.0	EC000734
ETIM-6.0	EC000734
ETIM-7.0	EC000734
ETIM-8.0	EC000734
customs tariff number	85176200
EAN	4048879798808
Packaging unit	1

Electrical data | Supply

Operating voltage DC min.	9,5 V
Operating voltage DC max.	31,5 V
Current consumption max.	50 mA
Power consumption max.	1,2 W

Industrial Communication

Data transmission rate max.	100 Mbit/s
-----------------------------	------------

Industrial communication | Ethernet functionality

VLAN unmanaged (IEEE 802.1Q)	Yes
Switch type	unmanaged
duplex	Full duplex
Auto-negotiation	Yes
Auto-crossover	Yes

Diagnostics

Alarm contact	No
Diagnostic	No voltage
LED display	Ethernet connection/data traffic

Device protection | Electrical

Degree of protection (EN IEC 60529)	IP20
Invers-polarity protection	Yes
Over voltage protection	Yes

Mechanical data | Material data

housing	Plastic
Color housing	black

Mechanical data | Mounting data

Height	105 mm
Width	41,6 mm
Depth	85,1 mm
Mounting method	geschnappt
Suitable for mounting type	Mounting rail TH35, (EN 60715)

Environmental characteristics | Climatic

Operating temperature min.	-25 °C
----------------------------	--------

Operating temperature max.	60 °C
Ambient temperature (storage, transport)	-40 °C ... 85 °C

Connection type 2

Connection type 1	8
Family construction form	RJ45
No. of poles	8
Gender	female
Color contact carrier	black
PIN 1	TD +
PIN 2	TD -
PIN 3	RD +
PIN 4	n.c.
PIN 5	n.c.
PIN 6	RD -
PIN 7	n.c.
PIN 8	n.c.
Family construction form	terminal
No. of poles	4
Gender	female
Color contact carrier	green
Connection	Spring clamp terminals FK
PIN 1	24 V DC (UB 1)
PIN 2	0 V
PIN 3	PE
PIN 4	n.c.