

EMPARRO POWER SUPPLY 1-PHASE,

IN: 100-240VAC OUT: 24-28VDC/5A

Art.No.: 85440

Weight: 0.66

Country of origin: CZ

Model designation: Emparro 5-100-240/24

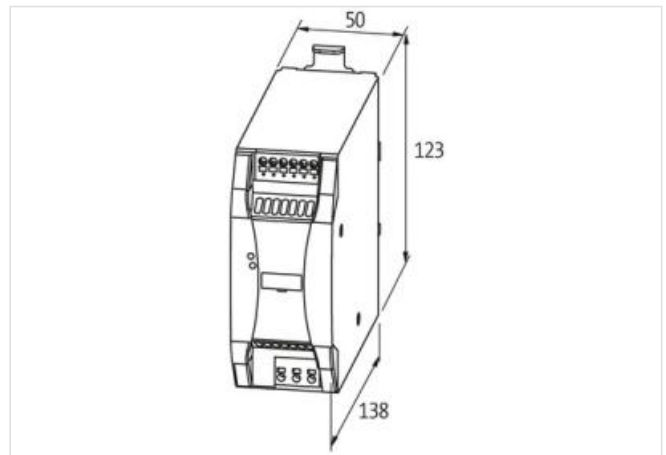
INPUT: 85...265 V AC/90...250 V DC

OUTPUT: 24...28 V DC

Current: 5 A

[Link to Product](#)**Illustration**

Product may differ from Image

**Commercial data**

ECLASS-6.0	27049002
ECLASS-6.1	27049002
ECLASS-7.0	27049002
ECLASS-8.0	27049002
ECLASS-9.0	27040701
ECLASS-10.1	27040701
ECLASS-11.1	27040701
ECLASS-12.0	27040701
ETIM-5.0	EC002540
customs tariff number	85044095
customs tariff number	85044095
GTIN	4048879402903
GTIN	4048879402903
Packaging unit	1
Packaging unit	1

Electrical data

Number of devices parallel connection max.	5
Number of devices series connection max.	2

Parallel connection	yes
Series connection	yes
Security level	SELV
Electrical data Supply	
Power frequency	50 ... 60 Hz
Electrical data Input	
Input voltage AC min.	85 V
Input voltage AC max.	265 V
Input voltage 1 AC	100 V
Input voltage 2 AC	240 V
Input voltage DC min.	90 V
Input voltage DC max.	250 V
Input current at input voltage 1 AC	1,3 A
Input current at input voltage 2 AC	0,61 A
Fuse protection primary side internal	6,3 A
Characteristic back-up fuse	Inertia
Inrush current max.	5,5 A @ 230 V
Efficiency	92,7 % @ 110 V AC, 94,5 % @ 230 V AC
Electrical data Output	
Output voltage DC	24 V
Output voltage DC min.	24 V
Output voltage DC max.	28 V
Output voltage adjustable	yes
Output current	5 A
Duration Power Boost min.	4 s
Mains failure bridging min.	30 ms @ 100 V AC
Power Boost	150 %
Ripple effective max.	50 mV
Spikes (s-s) max.	200 mV
Device protection Electrical	
Degree of protection (EN IEC 60529)	IP20
Overload protection output	yes
Short-circuit protection output	yes
Mechanical data Mounting data	
Mounting method	geschnappt
Suitable for mounting type	Mounting rail TH35, (EN 60715)
Height	123 mm
Width	50 mm
Depth	138 mm
Environmental characteristics Climatic	
Operating temperature min.	-40 °C
Operating temperature max.	60 °C
Derating from	45 °C
Storage temperature min.	-40 °C
Storage temperature max.	80 °C
Relative humidity min. (operation)	5 %
Relative humidity max. (operation)	95 % no condensation
Approvals	
SEMI F47	compliant
Connection type 3	
Connection type 1	Alarm

Connection type 2	Input
Connection type 3	Output
Connection	Spring clamp terminals FK
Family construction form	terminal
Gender	female
Color contact carrier	green
No. of poles	2
PIN 1	13
PIN 2	14
Connection	Spring clamp terminals FK
Family construction form	terminal
Gender	female
Color contact carrier	green
No. of poles	3
PIN 1	PE
PIN 2	N
PIN 3	L
Connection	Spring clamp terminals FK
Family construction form	terminal
Gender	female
Color contact carrier	green
No. of poles	4
PIN 1	-
PIN 2	-
PIN 3	+
PIN 4	+