

## EMPARRO IP67 Power Supply 1-phase

OUT: 24VDC 10A - 7/8" 4P - SELV

Art.No.: 85677

Weight: 1.600 kg

Country of origin: CZ

Model designation: Emparro67 Hybrid 10-100-240/24 7/8" 4-P

Emparro®67 Hybrid

2× MICO 7/8" IOL

4-pole

Current: 10 A

INPUT: 90...265 V AC/90...265 V DC

OUTPUT: 24...28 V DC

Preventive Diagnostic

Over current protection device

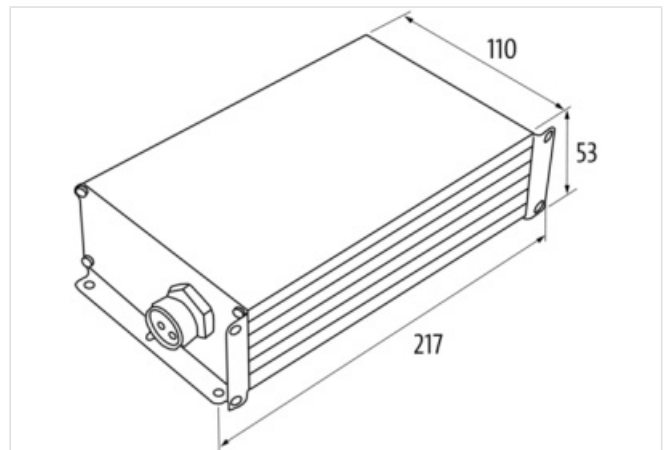
controllable via IO-Link

### Link to Product

#### Illustration



Product may differ from Image



#### Commercial data

URL Webshop	<a href="https://shop.murrelektronik.com/85677">https://shop.murrelektronik.com/85677</a>
GTIN	4048879778350
Customs tariff number	85044095
ECLASS-6.0	27049002
ECLASS-6.1	27049002
ECLASS-7.0	27049002
ECLASS-7.1	27049002
ECLASS-8.0	27049002
ECLASS-8.1	27049002
ECLASS-9.0	27040701
ECLASS-9.1	27040701
ECLASS-10.0.1	27040701
ECLASS-10.1	27040701

The information in this Product-PDF has been compiled with the utmost care.

Liability for the correctness completeness and topicality of the information is restricted to gross negligence. Version: 2026-05-05

Murrelektronik Inc. | 1327 Northbrook Parkway, Suite 460 | Suwanee, GA 30024 | Fon +1 770 497-9292 | Fax +1 770 497-9391 | [shop@murrinc.com](mailto:shop@murrinc.com) | [shop.murrinc.com](http://shop.murrinc.com)

ECLASS-11.0	27040701
ECLASS-11.1	27040701
ECLASS-12.0	27040701
ECLASS-13.0	27040701
ECLASS-14.0	27040701
ETIM-5.0	EC002540
ETIM-6.0	EC002540
ETIM-7.0	EC002540
ETIM-8.0	EC002540
customs tariff number	85044095
EAN	4048879778350
Packaging unit	1

**Electrical data**

Parallel connection	No
Series connection	No

**Electrical data | Supply**

Protective measure	SELV
Power frequency	50 ... 60 Hz

**Electrical data | Input**

Input voltage AC	240 V
Input voltage AC min.	90 V
Input voltage AC max.	265 V
Input voltage DC min.	90 V
Input voltage DC max.	265 V
Current input AC	1,2 A
Inrush current max.	5.9 A @ 230 V
Power factor	230 V AC
Efficiency	91.6 % @ 115 V AC 92.8 % @ 230 V AC
Characteristic back-up fuse	Inertia
Fuse protection primary side internal	6,3 A

**Electrical data | Output**

Output voltage adjustable	Yes
Output voltage DC	24 V
Output voltage DC min.	24 V
Output voltage DC max.	28 V
Output current max.	10 A
Number of output channels	2
Output current per channel max.	8 A
Mains failure bridging min.	20 ms @ 230 V AC
Spikes (s-s) max.	150 mV
Ripple effective max.	10 mV

**Device protection | Electrical**

Degree of protection (EN IEC 60529)	IP67
Overload protection output	Yes
Short-circuit protection output	Yes
Overtemperature protection output	Yes

**Mechanical data | Mounting data**

Height	216 mm
Width	110 mm
Depth	53 mm
Suitable for mounting type	6 hole screw mounting

**Environmental characteristics | Electromagnetic compatibility**

Interference emission IEC/EN 55022, IEC 61000-3-2

#### Environmental characteristics | Climatic

Operating temperature min.	-25 °C
Operating temperature max.	80 °C
Derating	50 °C
Ambient temperature (storage, transport)	-25 °C ... 85 °C
Relative humidity (operation)	4 % ... 100 %

#### Technical Data | Reliability

MTBF (EN/IEC 61709, EN ISO 13849-1, SN 29500) 432000 h @ 40 °C

#### Conformity

Product standard EN IEC 61010-2-201, EN 61204-3

#### Connection type 2

Connection type 1	Output
Connection type 2	Signal
Family construction form	7/8"
No. of poles	4
Gender	female
Color contact carrier	black
PIN 1	24 V DC (Out 2)
PIN 2	24 V DC (Out 1)
PIN 3	0 V (Out 1)
PIN 4	0 V (Out 2)
Family construction form	M12
No. of poles	4
Coding	A
Gender	male
Color contact carrier	black
PIN 1	L + (24 V DC) (In)
PIN 2	DI / DO (I / Q)
PIN 3	L - (0 V)
PIN 4	IO-Link (C / Q)