

Emparro IP67 Power Supply 1-Phase

OUT: 24VDC 10A - M12L 5P - SELV

Art.No.: 85678

Weight: 1.850 kg

Country of origin: CZ

Model designation: Emparro67 Hybrid 10-240/24 M12

Emparro®67 Hybrid

2x MICO M12 IOL

M12 (female) 5-pole, L-coded

Current: 10 A

INPUT: 90...265 V AC/90...265 V DC

OUTPUT: 24...28 V DC

Preventive Diagnostic

Over current protection device

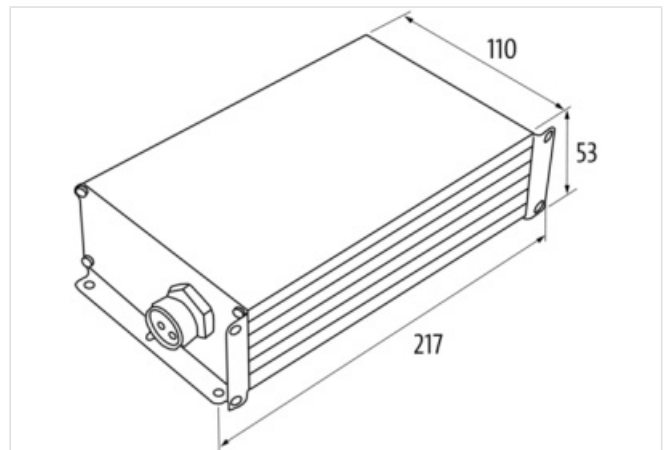
controllable via IO-Link

Link to Product

Illustration



Product may differ from Image



Commercial data

URL Webshop	https://shop.murrelektronik.com/85678
GTIN	4048879798433
Customs tariff number	85044095
ECLASS-6.0	27049002
ECLASS-6.1	27049002
ECLASS-7.0	27049002
ECLASS-7.1	27049002
ECLASS-8.0	27049002
ECLASS-8.1	27049002
ECLASS-9.0	27040701
ECLASS-9.1	27040701
ECLASS-10.0.1	27040701
ECLASS-10.1	27040701

ECLASS-11.0	27040701
ECLASS-11.1	27040701
ECLASS-12.0	27040701
ECLASS-13.0	27040701
ECLASS-14.0	27040701
ETIM-5.0	EC002540
ETIM-6.0	EC002540
ETIM-7.0	EC002540
ETIM-8.0	EC002540
customs tariff number	85044095
EAN	4048879798433
Packaging unit	1

Electrical data

Parallel connection	No
Series connection	No

Electrical data | Supply

Protective measure	SELV
Power frequency	50 ... 60 Hz

Electrical data | Input

Input voltage AC	240 V
Input voltage AC min.	90 V
Input voltage AC max.	265 V
Input voltage DC min.	90 V
Input voltage DC max.	265 V
Current input AC	1,2 A
Inrush current max.	5.9 A @ 230 V
Power factor	230 V AC
Efficiency	91.6 % @ 115 V AC 92.8 % @ 230 V AC
Characteristic back-up fuse	Inertia
Fuse protection primary side internal	6,3 A

Electrical data | Output

Output voltage adjustable	Yes
Output voltage DC	24 V
Output voltage DC min.	24 V
Output voltage DC max.	28 V
Output current max.	10 A
Number of output channels	2
Output current per channel max.	8 A
Mains failure bridging min.	20 ms @ 230 V AC
Spikes (s-s) max.	150 mV
Ripple effective max.	10 mV

Device protection | Electrical

Degree of protection (EN IEC 60529)	IP67
Overload protection output	Yes
Short-circuit protection output	Yes
Overtemperature protection output	Yes

Mechanical data | Mounting data

Height	216 mm
Width	110 mm
Depth	53 mm
Suitable for mounting type	6 hole screw mounting

Environmental characteristics | Electromagnetic compatibility

Interference emission IEC/EN 55022, IEC 61000-3-2

Environmental characteristics | Climatic

Operating temperature min.	-25 °C
Operating temperature max.	80 °C
Derating	50 °C
Ambient temperature (storage, transport)	-25 °C ... 85 °C
Relative humidity (operation)	4 % ... 100 %

Technical Data | Reliability

MTBF (EN/IEC 61709, EN ISO 13849-1, SN 29500) 461000 h @ 40 °C

Conformity

Product standard EN IEC 61010-2-201, EN 61204-3

Connection type 2

Connection type 1	Output
Connection type 2	Signal
Family construction form	M12
No. of poles	5
Coding	L
Gender	female
Color contact carrier	black
PIN 1	24 V DC (Out 1)
PIN 2	0 V (Out 2)
PIN 3	0 V (Out 1)
PIN 4	24 V DC (Out 2)
PIN 5	PE
Family construction form	M12
No. of poles	4
Coding	A
Gender	male
Color contact carrier	black
PIN 1	L + (24 V DC) (In)
PIN 2	DI / DO (I / Q)
PIN 3	L - (0 V)
PIN 4	IO-Link (C / Q)