

MODLINK MSDD FRAME SINGLE METALIC

Closure 3 mm double bit incl. pluggable knob

Art.No.: 4000-68513-0000001

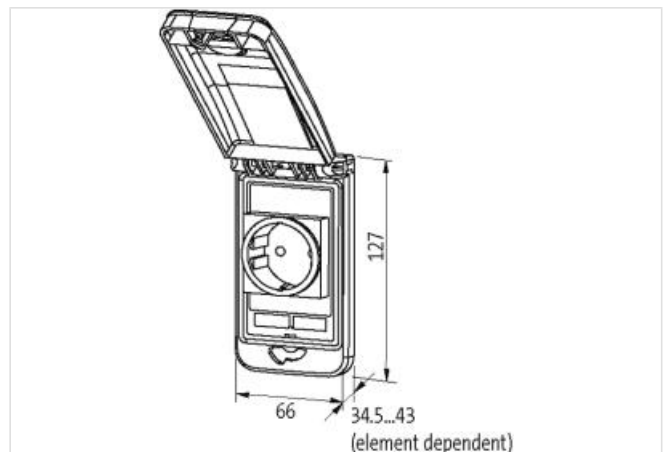
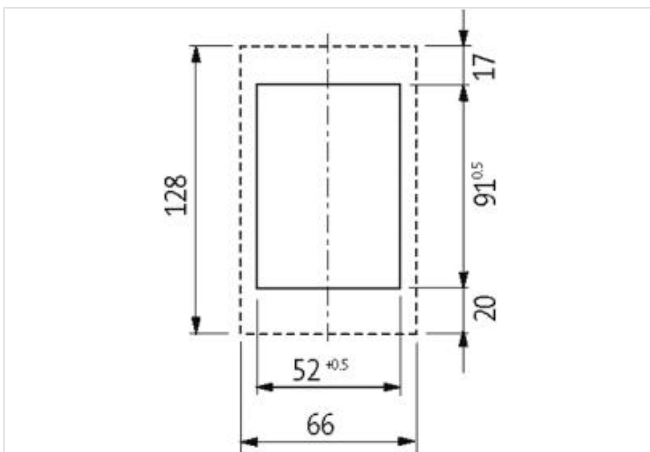
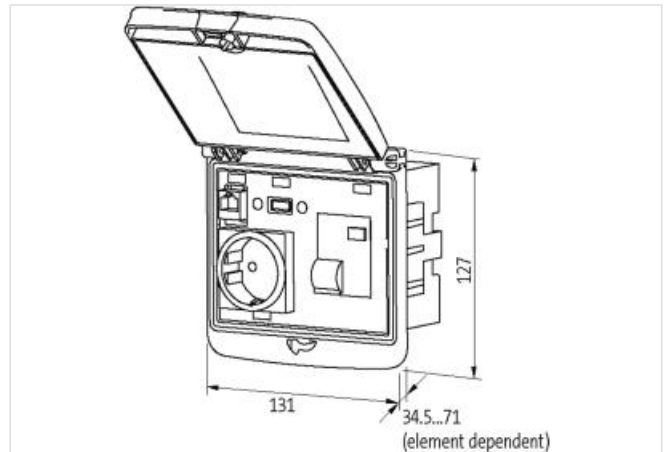
Weight: 0.087

Country of origin: DE

Model designation: Rahmenmodul 1-fach metallic 3mm Doppelb.

Frame: plastic PA black

Lid: plastic, ABS metallic

Closure: 3 mm double bit
with attachable rotation knob[Link to Product](#)**Illustration**

Product may differ from Image

**Commercial data**

ECLASS-6.0	27189217
ECLASS-6.1	27189260
ECLASS-7.0	27189260

ECLASS-8.0	27189260
ECLASS-9.0	27182810
ECLASS-10.1	27182810
ECLASS-11.1	27182810
ECLASS-12.0	27182810
ETIM-5.0	EC002625
ETIM-6.0	EC002625
ETIM-7.0	EC002625
ETIM-8.0	EC002625
customs tariff number	85389099
customs tariff number	85389099
GTIN	4048879368834
GTIN	4048879368834
Packaging unit	1
Packaging unit	1

Mechanical data | Mounting data

Height	127 mm
Width	66 mm
Depth	43 mm

Frame

Degree of protection (EN IEC 60529)	IP65
Operating temperature min.	-30 °C
Operating temperature max.	70 °C
Storage temperature min.	-30 °C
Storage temperature max.	80 °C
Suitable for installation wall thickness min.	1 mm
Suitable for installation wall thickness max.	5 mm
Material housing	PA
Color housing	black
Material lid	ABS
Color cover	metallic