

Modlink MSDD-set: Frame 4000-68523-0000001,

insert 4000-68000-4110000

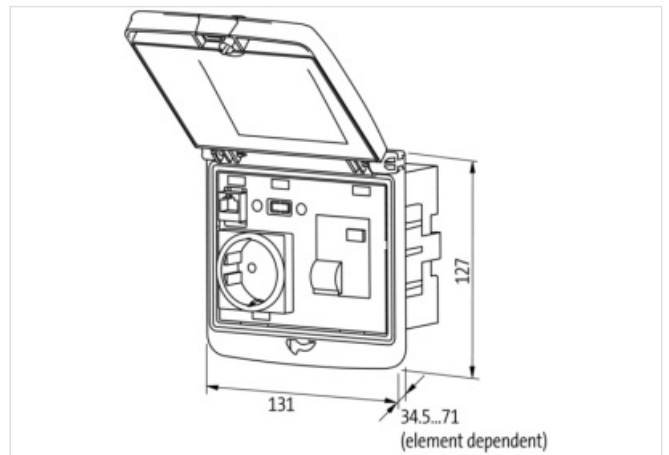
Art.No.: 4000-68523-4110001

Weight: 0.524 kg

Country of origin: US

Model designation: MSDD_2metallic_GFCI 15A+RJ45+3A fuse_

with touch protection

Link to Product**Illustration**

Product may differ from Image

Commercial data

URL Webshop	https://shop.murrelektronik.com/4000-68523-4110001
GTIN	4048879477963
ECLASS-6.0	27144001
ECLASS-6.1	27189217
ECLASS-7.0	27189217
ECLASS-7.1	27189217
ECLASS-8.0	27189217
ECLASS-8.1	27189217
ECLASS-9.0	27182806
ECLASS-9.1	27189217

ECLASS-10.0.1	27182806
ECLASS-10.1	27182806
ECLASS-11.0	27182806
ECLASS-11.1	27182806
ECLASS-12.0	27182806
ECLASS-13.0	27182806
ECLASS-14.0	27182806
ETIM-5.0	EC002625
ETIM-6.0	EC002625
ETIM-7.0	EC002625
ETIM-8.0	EC002625
customs tariff number	85366990
EAN	4048879477963
Packaging unit	1

Mechanical data | Mounting data

Height	88 mm
Width	116 mm
Depth	72 mm

Frame

housing	PA
Color housing	black
Lid	ABS
Color cover	metallic
Suitable for installation wall thickness min.	1 mm
Suitable for installation wall thickness max.	5 mm
Degree of protection (EN IEC 60529)	IP65
Operating temperature min.	-30 °C
Operating temperature max.	70 °C
Storage temperature min.	-30 °C

Fuse

Operating voltage AC	250 V
Operating voltage DC	32 V
Nominal current	3 A
Protector type	OC - Overcurrent type
UL Use group	A
Terminals (UL 1077)	0
Tripping current (UL 1077)	1
Overload rating (UL 1077)	1
Short-circuit current rating (UL 1077)	1.0 KA, U1
UL CCN	QVNU2
UL-Standard	UL 1077
CSA Class	3215-30
CSA-Standard	CSA C22.2 No. 144.1-16

USA

Connection	Screw terminals SK
No. of poles	2 + PE
Connections per pole	2
Protection contact present	Yes
Connection cross section max.	6 mm ²
AWG number max.	10
Operating voltage AC	125 V
Operating current	15 A

RJ45	
Family construction form	RJ45
Looking techniques	Snap-in connector
Cable category min.	Cat5e
Family type Back side	RJ45
Operating voltage AC max. (UL-listed)	30 V
Operating voltage DC max. (UL-listed)	42,4 V
Current operating max. (UL)	175 mA