

**MSDD pass-through RJ45 CAT5e femal/femal, design silver**

Art.No.: 4000-73000-0010000

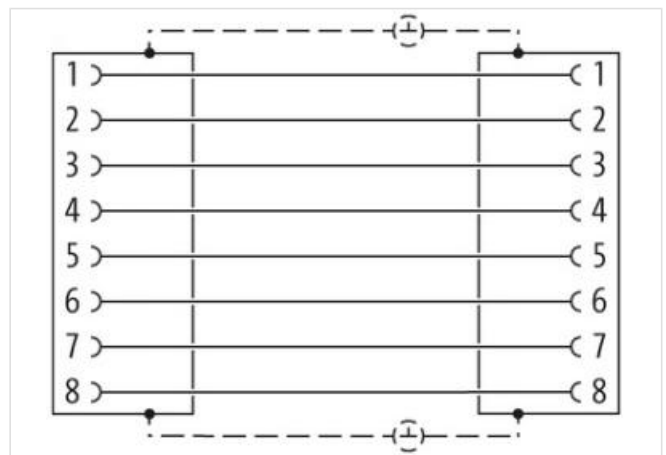
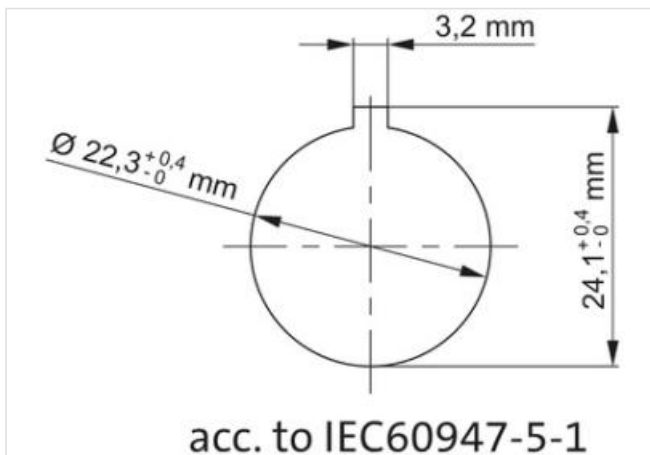
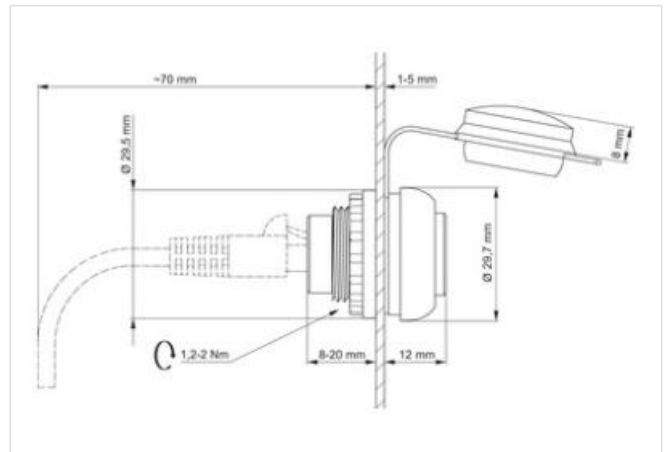
Weight: 0.018

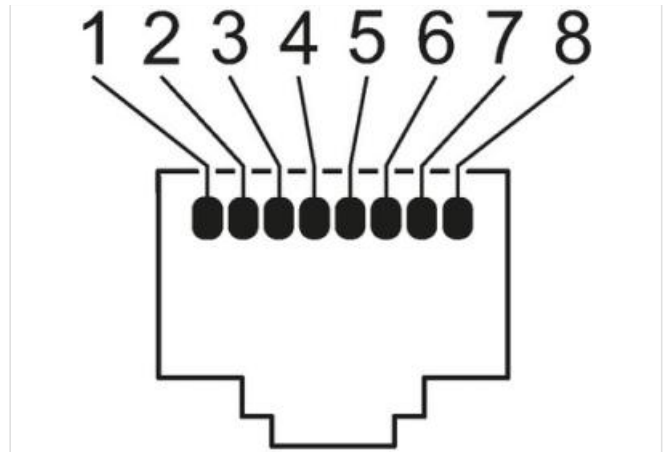
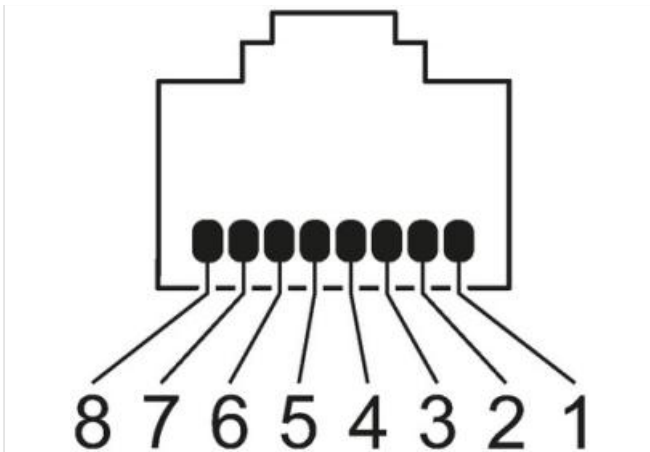
Country of origin: CZ

Model designation: MSDD PT22-S RJ45 CAT5e F/F

Pass-through

1 × RJ45, 8-pole CAT5e (female/female)

[Link to Product](#)**Illustration**



Product may differ from Image

**Commercial data**

ECLASS-6.0	27143423
ECLASS-6.1	27143419
ECLASS-7.0	27440515
ECLASS-8.0	27440515
ECLASS-9.0	27440515
ECLASS-10.1	27440515
ECLASS-11.1	27440515
ECLASS-12.0	27440515
ETIM-5.0	EC002625
ETIM-6.0	EC002625
ETIM-7.0	EC002625
ETIM-8.0	EC002625
customs tariff number	85366990
customs tariff number	85366990
GTIN	4048879031189
GTIN	4048879031189
Packaging unit	1
Packaging unit	1

**Electrical data | Supply**

Operating voltage AC	24 V
Operating voltage DC	24 V
Operating current max.	1,5 A

**Installation | Connection**

Family construction form	RJ47
Gender	female
Gender Rear	female
Cable category min.	Cat5e

**Device protection**

Shielded	yes
----------	-----

**Device protection | Electrical**

Degree of protection (EN IEC 60529)	IP20, IP65
Protection NEMA	2, 3R, 4, 12, 13, 4x

The information in this Product-PDF has been compiled with the utmost care.

Liability for the correctness completeness and topicality of the information is restricted to gross negligence. Version: 2025-04-03

Murrelektronik Inc. | 1327 Northbrook Parkway, Suite 460 | Suwanee, GA 30024 | Fon +1 770 497-9292 | Fax +1 770 497-9391 | shop@murrinc.com | shop.murrinc.com

Additional condition protection degree      inserted, in closed state

**Device protection | Mechanical**

Mechanical endurance      750 Cycles

**Mechanical data | Mounting data**

Diameter cutout      22,5 mm

Diameter      29,5 mm

Mounting depth      70 mm

Depth      20 mm

**Approvals**

UL 50E      yes