

## Modlight Illumix Classic Line C12W

LED machine lamp, IP67, 24VDC, 2xM12 connection

Art.No.: 4000-75901-1415012

Weight: 0.400 kg

Country of origin: DE

Model designation: Modlight Illumix Classic Line C12W

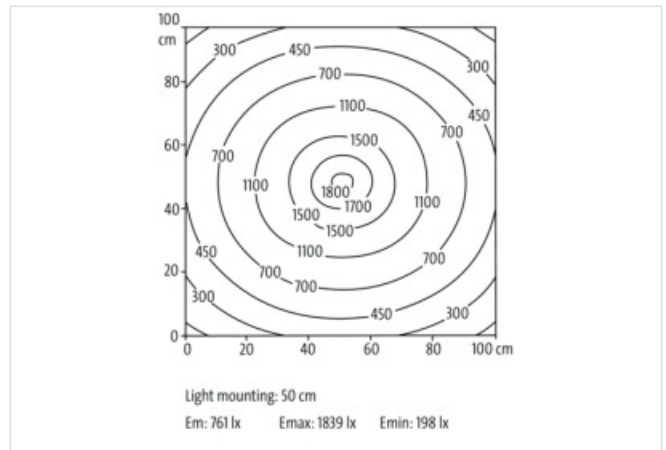
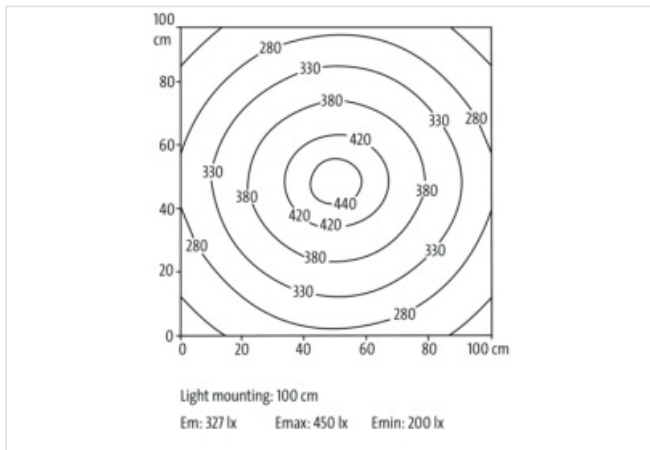
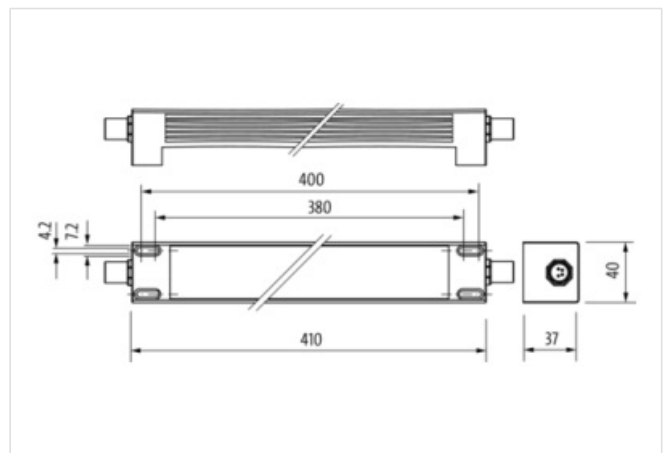
Modlight Illumix Classic Line C

12 W

expandability

### Link to Product

#### Illustration



Product may differ from Image



#### Commercial data

URL Webshop	<a href="https://shop.murrelektronik.com/4000-75901-1415012">https://shop.murrelektronik.com/4000-75901-1415012</a>
GTIN	4048879752435
Customs tariff number	94054239
ECLASS-6.0	27110306

The information in this Product-PDF has been compiled with the utmost care.

Liability for the correctness completeness and topicality of the information is restricted to gross negligence. Version: 2026-05-05

Murrelektronik Inc. | 1327 Northbrook Parkway, Suite 460 | Suwanee, GA 30024 | Fon +1 770 497-9292 | Fax +1 770 497-9391 | [shop@murrinc.com](mailto:shop@murrinc.com) | [shop.murrinc.com](http://shop.murrinc.com)

ECLASS-6.1	27110390
ECLASS-7.0	27110390
ECLASS-7.1	27110390
ECLASS-8.0	27110390
ECLASS-8.1	27110390
ECLASS-9.0	27110345
ECLASS-9.1	27110345
ECLASS-10.0.1	27110345
ECLASS-10.1	27110345
ECLASS-11.0	27110345
ECLASS-11.1	27110345
ECLASS-12.0	27110345
ECLASS-13.0	27110345
ECLASS-14.0	27110345
ETIM-5.0	EC000348
ETIM-6.0	EC000348
ETIM-7.0	EC000348
ETIM-8.0	EC000348
customs tariff number	94054239
EAN	4048879752435
Packaging unit	1

**Electrical data | Supply**

Operating voltage DC	24 V
Operating voltage DC min.	21,6 V
Operating voltage DC max.	27,6 V
Power consumption max.	12 W

**HMI | Illumination properties**

Radiation angle min.	120 °
Luminous temperature	5.500 K
Color reproduction (Ra) min.	80
Luminous efficacy	157 lm/W
Light color	daylight white
Luminous flux	1.884 lm

**Installation | Connection**

Family construction form	M12
Gender	male

**Installation | Pin assignment**

Coding	A
No. of poles	4

**Device protection | Electrical**

Installation height max. ASL	2.000 m
Degree of protection (EN IEC 60529)	IP67

**Device protection | Mechanical**

Shock resistance (EN IEC 60068-2-27)	50 g 11 ms
Vibration resistance (EN IEC 60068-2-6)	10 mm (2 ... 9 Hz), 3 g (9 ... 200 Hz)

**Mechanical data | Material data**

housing	Aluminum
Coating housing	anodized
Material light cover	diffuse single-pane safety glass (ESG)
Thickness material light cover	4 mm

**Mechanical data | Mounting data**

Height	37 mm
Width	410 mm
Depth	40 mm
Screw head diameter max.	12 mm
Screw head thread max.	M5

**Environmental characteristics | Climatic**

Operating temperature min.	-30 °C
Operating temperature max.	50 °C
Relative humidity (operation)	5 % ... 95 %

**Connection type 2**

Family construction form	M12
No. of poles	4
Coding	A
Gender	female
PIN 1	n.c.
PIN 2	n.c.
PIN 3	0 V DC
PIN 4	24 V DC
Family construction form	M12
No. of poles	4
Coding	A
Gender	male
PIN 1	n.c.
PIN 2	n.c.
PIN 3	0 V DC
PIN 4	24 V DC