

**M8 male 0° A-cod. IDC**

3-pol., 0,25 - 0,5mm<sup>2</sup>, 2,5 - 5mm

Art.No.: 7000-08325-0000000

Weight: 0.008 kg

Country of origin: DE

Model designation: MSHL0-AC-R IDC 0,25-0,5mm<sup>2</sup>

IDC terminals

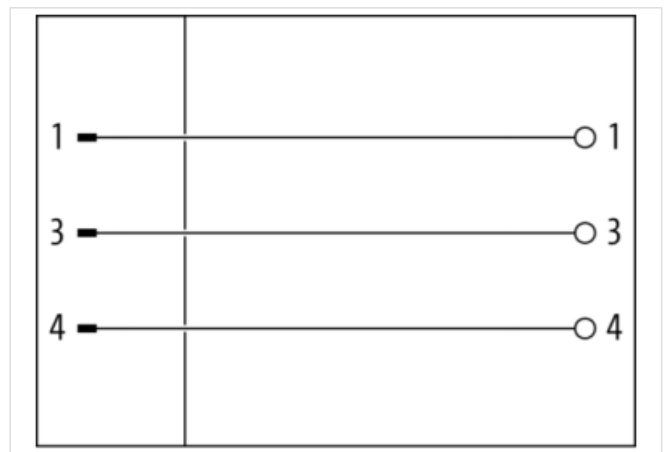
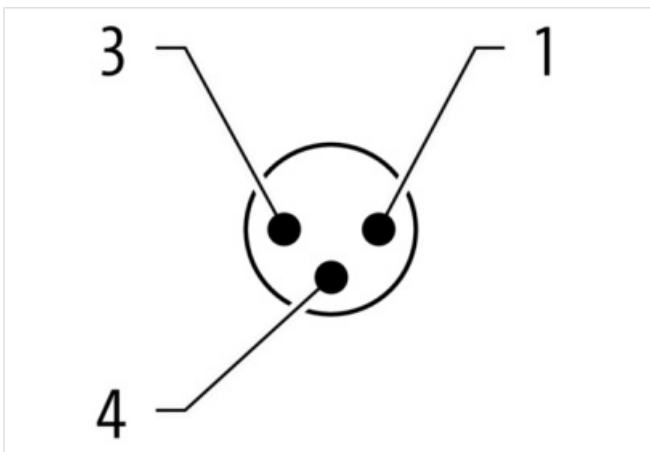
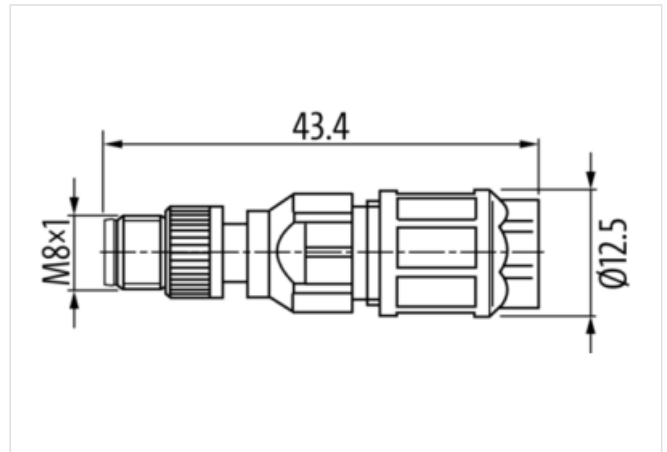
Male straight

M8, 3-pole

Connection cross section: 0.25...0.5 mm<sup>2</sup>

[Link to Product](#)

**Illustration**



Product may differ from Image



**Side 1**

Family construction form	M8
No. of poles	3
Gender	male

Mounting method	inserted, screwed
Cable outlet	straight
Material	PA
Material contact	Copper alloy
Degree of protection (EN IEC 60529)	IP67, IP65

**Side 2**

Mounting method	Field-wireable
-----------------	----------------

**Commercial data**

URL Webshop	<a href="https://shop.murrelektronik.com/7000-08325-0000000">https://shop.murrelektronik.com/7000-08325-0000000</a>
GTIN	4048879784689
Customs tariff number	85366990
ECLASS-6.0	27279221
ECLASS-6.1	27260702
ECLASS-7.0	27440102
ECLASS-7.1	27440102
ECLASS-8.0	27440102
ECLASS-8.1	27440102
ECLASS-9.0	27440116
ECLASS-9.1	27440106
ECLASS-10.0.1	27440106
ECLASS-10.1	27440102
ECLASS-11.0	27440106
ECLASS-11.1	27440102
ECLASS-12.0	27440116
ECLASS-13.0	27440106
ECLASS-14.0	27440106
ETIM-5.0	EC002635
ETIM-6.0	EC002635
ETIM-7.0	EC002635
ETIM-8.0	EC002635
customs tariff number	85366990
EAN	4048879784689
Packaging unit	1

**Electrical data | Supply**

Operating voltage AC max.	48 V
Operating voltage DC max.	60 V
Current operating per contact max.	4 A

**Installation**

Connection cross section min.	0,25 mm <sup>2</sup>
Connection cross section max.	0,5 mm <sup>2</sup>

**Installation | Connection**

Connection	Cut clamps IDC
Mounting set	M8 x 1
Mating cycles min.	100
Wire insulation diameter min.	1,1 mm
Wire insulation diameter max.	1,55 mm

**Device protection | Electrical**

Additional condition protection degree	inserted, screwed
Pollution Degree	3
Overvoltage category (EN 60950-1)	II
Rated surge voltage	0,8 kV

Insulation resistance min.	100 mΩ
----------------------------	--------

Material group (IEC 60664-1)	III
------------------------------	-----

#### Mechanical data | Material data

Material contact carrier	TPU
--------------------------	-----

Coating contact	gold plated
-----------------	-------------

Locking material	Zinc die-casting
------------------	------------------

Coating locking	Nickeled
-----------------	----------

Gasket	NBR
--------	-----

#### Mechanical data | Mounting data

Mounting method	Hexagonal screw, Hexagonal nut
-----------------	--------------------------------

Locking techniques	Schraubgewinde
--------------------	----------------

Clamping range min.	2,5 mm
---------------------	--------

Clamping range max.	5 mm
---------------------	------

#### Environmental characteristics | Climatic

Operating temperature min.	-25 °C
----------------------------	--------

Operating temperature max.	80 °C
----------------------------	-------

#### Important installation notes

Note on bending radius	<b>Attention:</b> Observe the permissible bending radii when laying cables, as the IP protection class can be endangered by excessive bending forces.
------------------------	---

Note on strain relief	Protect the connectors by suitable measures from mechanical loads, e.g. by the usage of cable ties.
-----------------------	---

#### Conformity

Product standard	EN IEC 61076-2-114 (M8)
------------------	-------------------------