

**M8 female recept. A-cod. front incl. nut**

PUR-wires 3x0.25 0.5m

Art.No.: 7000-08573-9700050

Weight: 0.022 kg

Country of origin: DE

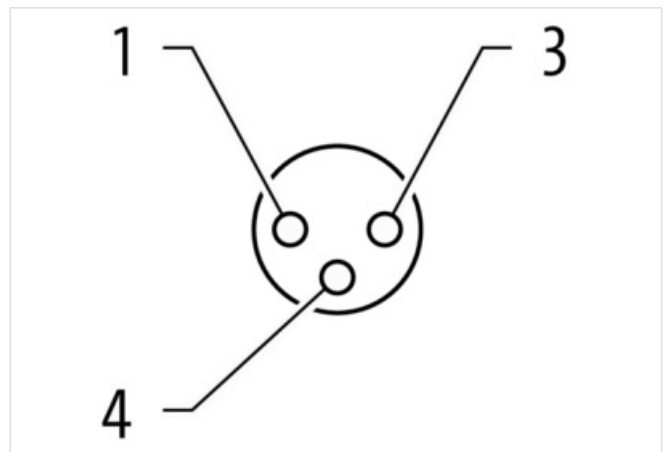
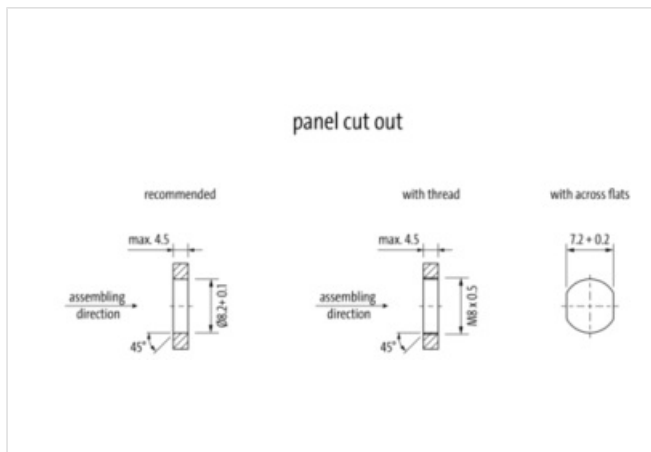
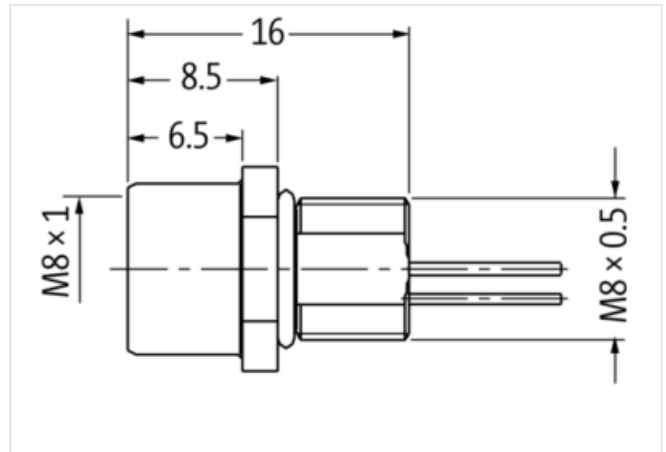
Model designation: MSFFV-R970\_0.5

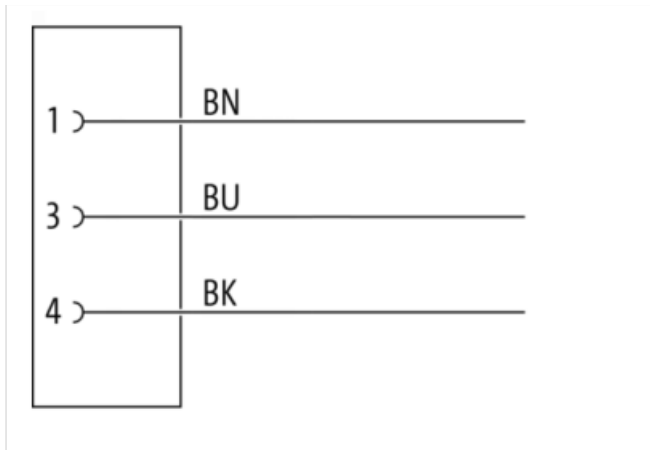
Flange female

M8, 3-pole

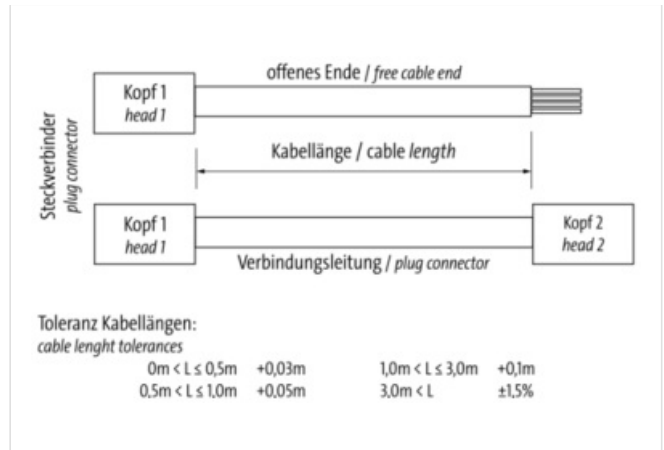
Front mounting

with multi-strand wire

[Link to Product](#)**Illustration**



Product may differ from Image



Cable length 0,50 m

**Side 1**

Family construction form	M8
No. of poles	3
Coding	A
Gender	female
Mounting method	inserted, screwed
Threaded hole	M8 x 1
Tightening torque	0,4 Nm
Width across flats	SW10
Material	Brass
Material contact	Copper alloy
Coating contact	gold plated
Degree of protection (EN IEC 60529)	IP67

**Commercial data**

URL Webshop	<a href="https://shop.murrelektronik.com/7000-08573-9700050">https://shop.murrelektronik.com/7000-08573-9700050</a>
GTIN	4048879508209
ECLASS-6.0	27279220
ECLASS-6.1	27279220
ECLASS-7.0	27440103
ECLASS-7.1	27440103
ECLASS-8.0	27440103
ECLASS-8.1	27440103
ECLASS-9.0	27440103
ECLASS-9.1	27440109
ECLASS-10.0.1	27440109
ECLASS-10.1	27440103
ECLASS-11.0	27440109
ECLASS-11.1	27440103
ECLASS-12.0	27440103
ECLASS-13.0	27440109
ECLASS-14.0	27440109

ETIM-5.0	EC001855
ETIM-6.0	EC001855
ETIM-7.0	EC001855
ETIM-8.0	EC001855
customs tariff number	85444290
EAN	4048879508209
Packaging unit	1

**Electrical data | Supply**

Operating voltage AC max.	50 V
Operating voltage DC max.	60 V
Current operating per contact max.	4 A

**Diagnostics**

Status indication LED	No
-----------------------	----

**Installation | Connection**

Mounting set	M8 x 1
--------------	--------

**Device protection | Electrical**

Degree of protection (EN IEC 60529)	IP67
Protection NEMA	6P, 4, 3
Additional condition protection degree	inserted, screwed
Pollution Degree	3
Rated surge voltage	1,5 kV
Material group (IEC 60664-1)	I

**Mechanical data | Material data**

Screw connection	Brass
Coating of fitting	nickel plated

**Mechanical data | Mounting data**

Mounting method	Schraubgewinde
Looking techniques	Schraubgewinde

**Environmental characteristics | Climatic**

Operating temperature min.	-30 °C
Operating temperature max.	85 °C
Additional condition temperature range	depending on cable quality

**Important installation notes**

Note on bending radius	<b>Attention:</b> Observe the permissible bending radii when laying cables, as the IP protection class can be endangered by excessive bending forces.
Note on strain relief	Protect the connectors by suitable measures from mechanical loads, e.g. by the usage of cable ties.

**Conformity**

Product standard	EN/IEC 61076-2-104 (M8)
------------------	-------------------------

**Approvals**

UL 50E	Yes
--------	-----

**Installation | Cable**

Cable identification	970
Wire arrangement	brown, black, blue
Material wire insulation	PP
Amount wires	3
Outer diameter insulation	1,1 mm
Conductor crosssection (wire)	0,25 mm <sup>2</sup>
Operating temperature min. (static)	-40 °C
Operating temperature (static)	90 °C
Operating temperature min. (dynamic)	-25 °C

---

Operating temperature (dynamic)	90 °C
Bending radius (fixed)	5 × Outer diameter

---