

MSUD valve plug BI-11mm with cable

PUR 3x0.75 ye UL/CSA+drag ch. 5m

Art.No.: 7000-11041-0360500

Weight: 0.289

Country of origin: CZ

Model designation: MSUDK-IB3Z-036_5.0

MSUD

Form BI (11 mm)

110 V AC/DC $\pm 10\%$

LED and suppression

without cable sleeves

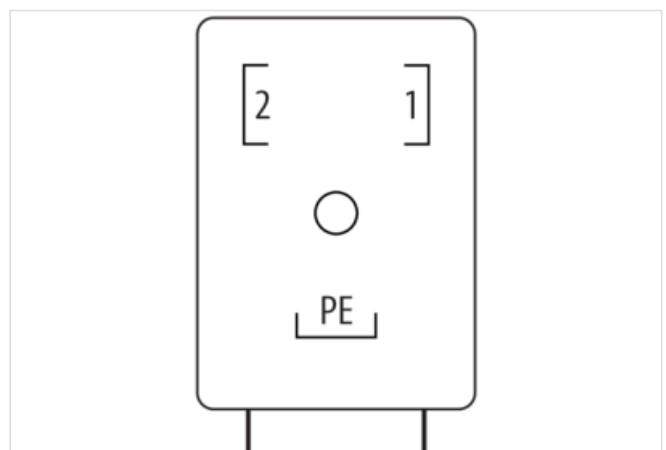
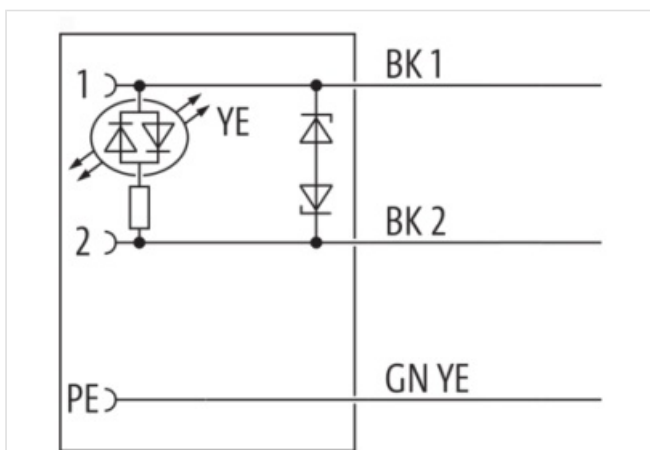
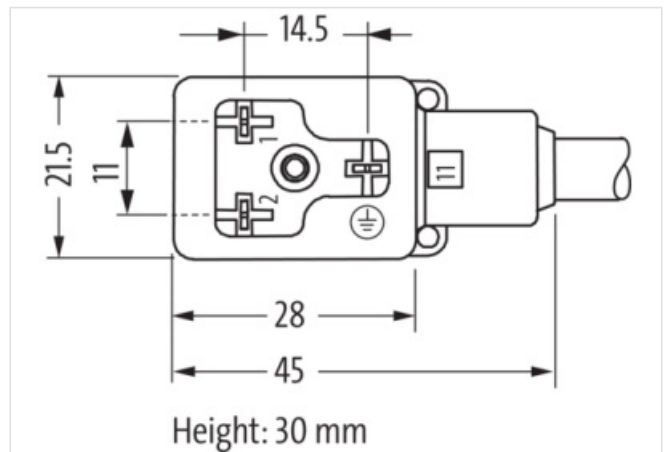
Further cable lengths on request.

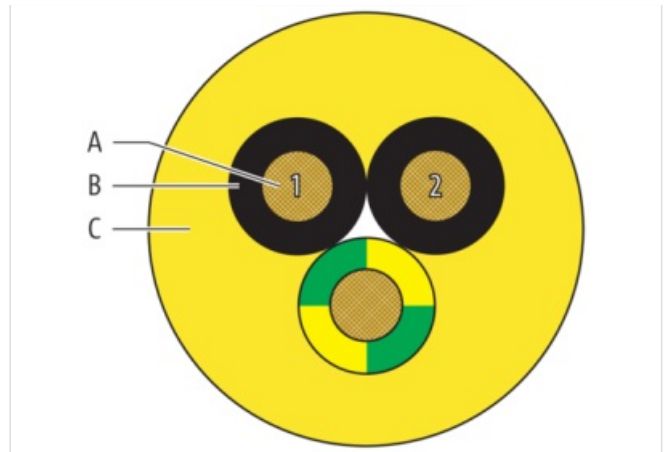
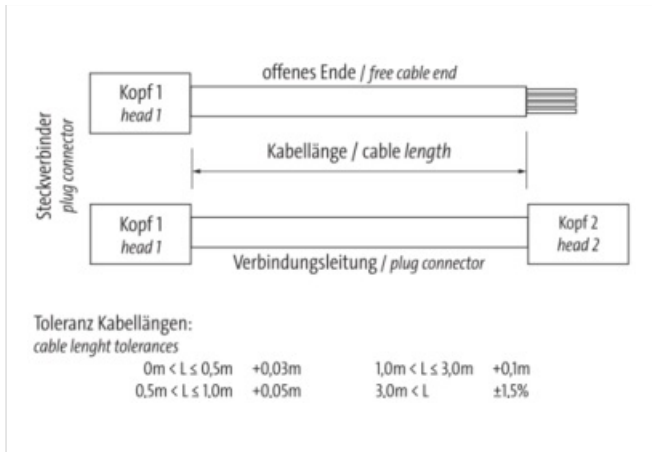
Plastic housings with good resistance against chemicals and oils.

The resistance to aggressive media should be individually tested for your application. Further details on request.

Link to Product

Illustration





Product may differ from Image



Header	
Material short text	MSUDK-IB3Z-036_5.0
Cable length	5,00 m
Side 1	
Family construction form	MSUD BI
No. of poles	3
Mounting method	inserted, screwed
Thread	M3x31
Tightening torque	0.4 Nm
Material	PBT
Material contact	Copper alloy
Coating contact	silver-plated
Degree of protection (EN IEC 60529)	IP67
Side 2	
Coating contact	silver-plated
Commercial data	
URL Webshop	https://shop.murrelektronik.com/7000-11041-0360500
GTIN	4048879645621

ECLASS-6.0	27279218
ECLASS-6.1	27279218
ECLASS-7.0	27279218
ECLASS-7.1	27279218
ECLASS-8.0	27279218
ECLASS-8.1	27279218
ECLASS-9.0	27060312
ECLASS-9.1	27060312
ECLASS-10.0.1	27060312
ECLASS-10.1	27060312
ECLASS-11.0	27060312
ECLASS-11.1	27060312
ECLASS-12.0	27060312
ECLASS-13.0	27060312
ECLASS-14.0	27060312
ETIM-5.0	EC001855
ETIM-6.0	EC001855
ETIM-7.0	EC001855
ETIM-8.0	EC001855
customs tariff number	85444290
EAN	4048879645621
Packaging unit	1

Electrical data

Drop-out delay time max.	20 ms
--------------------------	-------

Electrical data | Supply

Operating voltage AC	110 V
Operating voltage AC min.	99 V
Operating voltage AC max.	121 V
Operating voltage DC	110 V
Operating voltage DC min.	99 V
Operating voltage DC max.	121 V
Current operating per contact max.	4 A
Cut-off peak voltage max.	270 V
Current consumption max.	8 mA

Diagnostics

Status indication LED	yellow
-----------------------	--------

Installation | Connection

Mounting set	M3x31
--------------	-------

Device protection | Electrical

Additional condition protection degree	inserted, screwed
Pollution Degree	3
Additional suppressor	Diode, Z-Diode
Rated surge voltage	2.5 kV
Material group (IEC 60664-1)	I

Mechanical data

Contour for corrugated hose	without
-----------------------------	---------

Mechanical data | Material data

Color housing	black
Material screw connection	Steel
Coating of fitting	galvanized
Locking material	Steel

Coating locking galvanized

Mechanical data | Mounting data

Mounting method inserted, screwed

Environmental characteristics | Climatic

Operating temperature min. -25 °C

Operating temperature max. 85 °C

Additional condition temperature range depending on cable quality

Important installation notesNote on bending radius **Attention:** Observe the permissible bending radii when laying cables, as the IP protection class can be endangered by excessive bending forces.

Note on strain relief Protect the connectors by suitable measures from mechanical loads, e.g. by the usage of cable ties.

Installation | Cable

Cable identification 036

Cable Type 3

Amount stranding 1

Stranding 3 wires stranded

Wire arrangement black 1, black 2, green-yellow

Cable weight 51 g/m

Material wire insulation PP

Amount wires 3

Outer diameter insulation 1.85 mm

Outer diameter tolerance core insulation ± 0.1 mm

Shore hardness wire insulation 70 5 Shore D

Ingredient freeness wire insulation CFC-free, cadmium-free, silicone-free, halogen-free, lead-free

Printing color of wire insulation white (isolation black)

Amount strands (wire) 42

Diameter of single wires 0.15 mm

Conductor crosssection (wire) 0.75 mm²

Material conductor wire Stranded copper wire, bare

Conductor type (wire) strand class 6

Outer-diameter (jacket) 5.9 mm

Tolerance outer diameter (sheath) ± 5 %

Material jacket PUR

Shore hardness jacket 90 5 Shore A

Freedom from ingredients (jacket) CFC-free, cadmium-free, silicone-free, halogen-free, lead-free

Material property (jacket) matte, good machinability, abrasion-resistant, low adhesion

Conductor resistance (wire) 26 Ω/km @ 20 °C

Nominal voltage AC max. 300 V

Withstand voltage (wire - wire) 2.5 kV @ 60 s

Withstand voltage (wire - jacket) 2.5 kV @ 60 s

Current load capacity (standard) to DIN VDE 0298-4

Current load capacity min. wire 12 A

Min. operating temperature (static) -40 °C

Max. operating temperature (fixed) 80 °C / 90 °C @ 10000 h Operation

Operating temperature min. (dynamic) -25 °C

Operating temperature max. (dynamic) 80 °C / 90 °C @ 10000 h Operation

Operating temperature min. (drag chain) -25 °C

Operating temperature max. (drag chain) 80 °C / 90 °C @ 10000 h Operation

Flame resistance UL 1581 § 1090, CSA FT2, IEC 60332-2-2

Oil resistance IEC 60811-404

Chemical resistance good

Other resistances good resistance to gasoline, resistant to hydrolysis, resistant to microbes

Bending radius (fixed) 5 × Outer diameter

Bending radius (dynamic)	10 × Outer diameter
No. of bending cycles (C-track)	10 Mio. @ 25 °C
Traversing distance (C-track)	10 m @ 25 °C horizontal
Travel speed (C-track)	3 m/s @ 25 °C
Acceleration (C-track)	10 m/s ² @ 25 °C
No. of torsion cycles	2 Mio.
Torsion stress	180 °/m
Torsion speed	35 cycles/min