

M12 female 90° A-cod. IDC3-pol., 0.25 - 0.5mm², 4 - 5,1mm

Art.No.: 7000-12661-0000000

Weight: 0.020 kg

Country of origin: DE

Model designation: MSDL0-AC-R-IDC

Female 90°

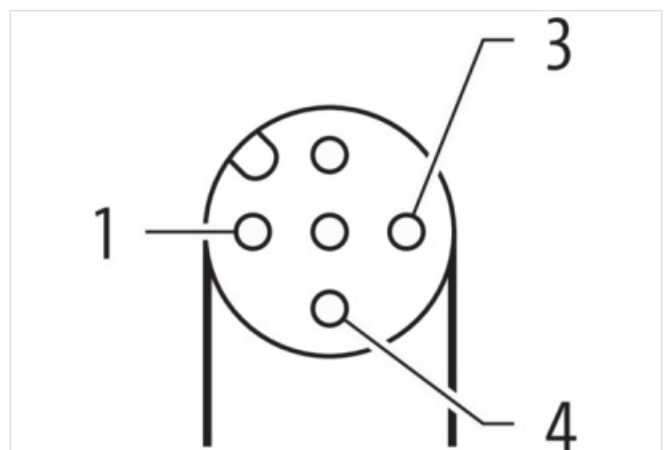
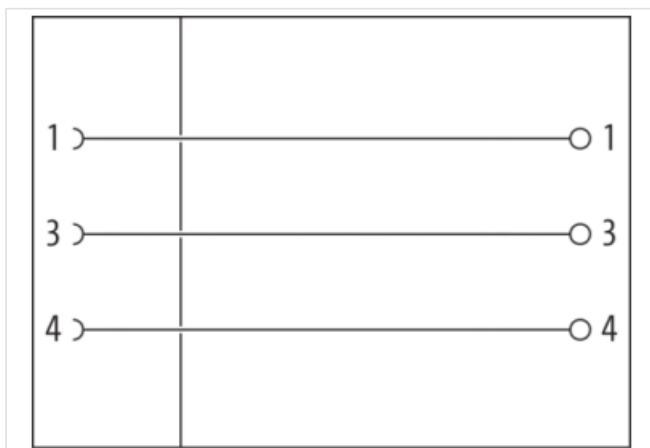
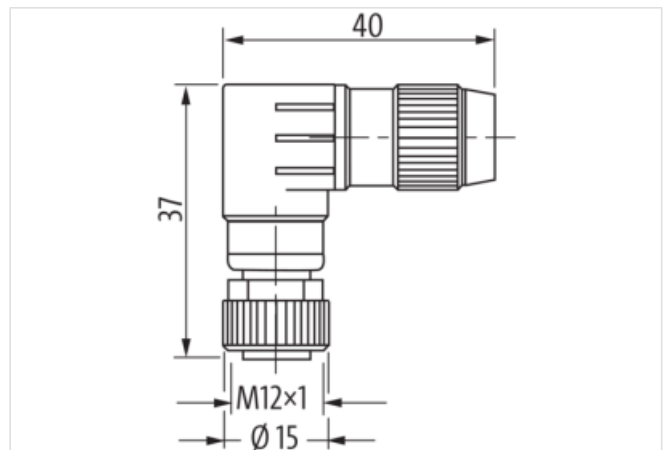
M12, 3-pole

IDC terminals

Connection cross section: 0.25...0.5 mm²

Art.No. 7005 - M12 Lite - (plastic hexagonal screw) on request

The resistance to aggressive media should be individually tested for your application. Further details on request.

[Link to Product](#)**Illustration**

Product may differ from Image

Header

Material short text MSDL0-AC-R-IDC

Side 1

Family construction form M12

Degree of protection (EN IEC 60529) IP67

Commercial data

The information in this Product-PDF has been compiled with the utmost care.
 Liability for the correctness completeness and topicality of the information is restricted to gross negligence. Version: 2025-12-20

URL Webshop	https://shop.murrelektronik.com/7000-12661-0000000
GTIN	4048879201704
ECLASS-6.0	27279221
ECLASS-6.1	27260702
ECLASS-7.0	27440102
ECLASS-7.1	27440102
ECLASS-8.0	27440102
ECLASS-8.1	27440102
ECLASS-9.0	27440116
ECLASS-9.1	27440106
ECLASS-10.0.1	27440106
ECLASS-10.1	27440102
ECLASS-11.0	27440106
ECLASS-11.1	27440102
ECLASS-12.0	27440116
ECLASS-13.0	27440106
ECLASS-14.0	27440106
ETIM-5.0	EC002635
ETIM-6.0	EC002635
ETIM-7.0	EC002635
ETIM-8.0	EC002635
customs tariff number	85366990
EAN	4048879201704
Packaging unit	1
customs tariff number	85366990
EAN	4048879201704
Packaging unit	1

Electrical data | Supply

Operating voltage AC max.	32 V
Operating voltage DC max.	32 V
Current operating per contact max.	4 A

Installation

Single wire diameter min.	0,1 mm
Connection cross section min.	0,25 mm ²
Connection cross section max.	0,5 mm ²

Installation | Connection

Tightening torque	0,6 Nm
Wire insulation diameter min.	1,2 mm
Wire insulation diameter max.	1,6 mm

Device protection | Electrical

Additional condition protection degree	inserted, screwed
--	-------------------

Mechanical data | Mounting data

Height	37 mm
Width	40 mm
Depth	15 mm
Mounting method	inserted, screwed, Shaking protection
Clamping range min.	4 mm
Clamping range max.	5,1 mm

Environmental characteristics | Climatic

Operating temperature min.	-25 °C
Operating temperature max.	85 °C

Important installation notes

Note on bending radius

Attention: Observe the permissible bending radii when laying cables, as the IP protection class can be endangered by excessive bending forces.

Note on strain relief

Protect the connectors by suitable measures from mechanical loads, e.g. by the usage of cable ties.