

**M12 male 90° A-cod. screw terminal**4-pol., max. 0,75mm<sup>2</sup>, 4 - 6mm

Art.No.: 7000-12821-0000000

Weight: 0.023 kg

Country of origin: DE

Model designation: MSC-T7

Male 90°

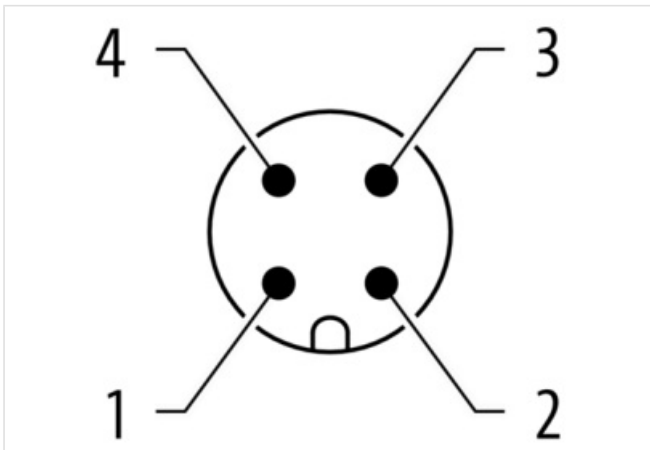
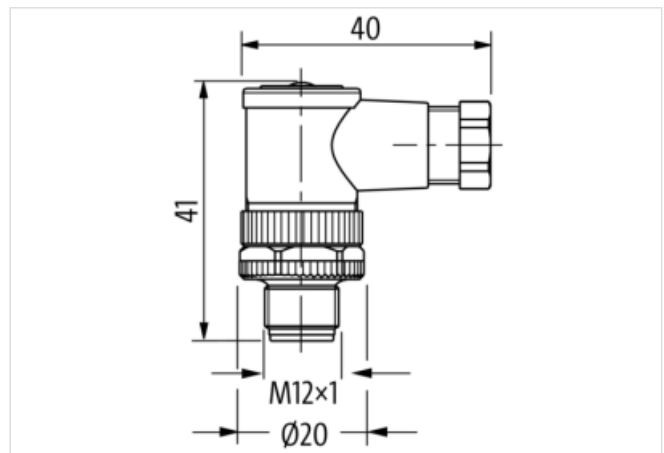
M12, 4-pole

Screw terminals

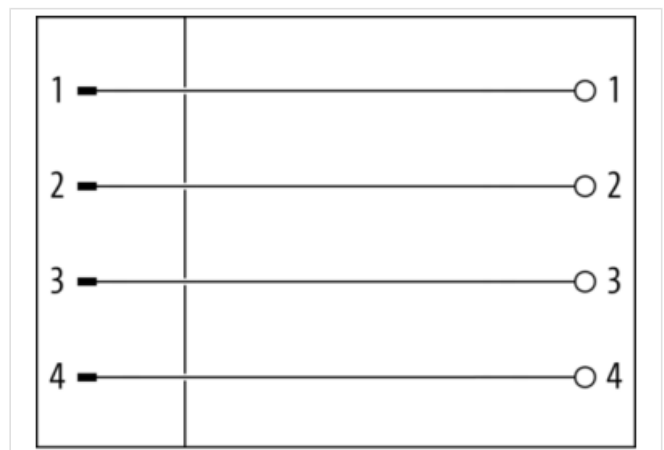
Sealing range (cable Ø): 4...6 mm

Plastic housings with good resistance against chemicals and oils.

The resistance to aggressive media should be individually tested for your application. Further details on request.

**[Link to Product](#)****Illustration**

Product may differ from Image

**Side 1**

Family construction form

M12

|                                     |                     |
|-------------------------------------|---------------------|
| No. of poles                        | 4                   |
| Coding                              | A                   |
| Gender                              | male                |
| Mounting method                     | pluggable, inserted |
| Threaded hole                       | M12 x 1             |
| Tightening torque                   | 0,6 Nm              |
| Width across flats                  | SW18                |
| Degree of protection (EN IEC 60529) | IP67                |

**Side 2**

|                 |                |
|-----------------|----------------|
| Mounting method | Field-wireable |
|-----------------|----------------|

**Commercial data**

|                       |   |
|-----------------------|---|
| URL Webshop           | <a href="https://shop.murrelektronik.com/7000-12821-0000000">https://shop.murrelektronik.com/7000-12821-0000000</a> |
| GTIN                  | 4048879201605   |
| ECLASS-6.0            | 27279221  |
| ECLASS-6.1            | 27260702  |
| ECLASS-7.0            | 27440102  |
| ECLASS-7.1            | 27440102  |
| ECLASS-8.0            | 27440102  |
| ECLASS-8.1            | 27440102  |
| ECLASS-9.0            | 27440116  |
| ECLASS-9.1            | 27440106  |
| ECLASS-10.0.1         | 27440106  |
| ECLASS-10.1           | 27440102  |
| ECLASS-11.0           | 27440106  |
| ECLASS-11.1           | 27440102  |
| ECLASS-12.0           | 27440116  |
| ECLASS-13.0           | 27440106  |
| ECLASS-14.0           | 27440106  |
| ETIM-5.0              | EC002635  |
| ETIM-6.0              | EC002635  |
| ETIM-7.0              | EC002635  |
| ETIM-8.0              | EC002635  |
| customs tariff number | 85366990  |
| EAN                   | 4048879201605   |
| Packaging unit        | 1   |

**Electrical data | Supply**

|                                    |       |
|------------------------------------|-------|
| Operating voltage AC max.          | 250 V |
| Operating voltage DC max.          | 250 V |
| Current operating per contact max. | 4 A   |

**Diagnostics**

|                       |    |
|-----------------------|----|
| Status indication LED | No |
|-----------------------|----|

**Installation**

|                               |                           |
|-------------------------------|---------------------------|
| Rotation option               | 90° (4 outlet directions) |
| Connection cross section max. | 0,75 mm <sup>2</sup>      |

**Installation | Connection**

|                   |        |
|-------------------|--------|
| Tightening torque | 0,6 Nm |
|-------------------|--------|

**Installation | Pin assignment**

|               |             |
|---------------|-------------|
| Configuration | partly used |
|---------------|-------------|

**Device protection | Electrical**

|  |                   |
|--|-------------------|
| Additional condition protection degree | inserted, screwed |
|--|-------------------|

**Mechanical data | Mounting data**

|                     |                                       |
|---------------------|---------------------------------------|
| Height              | 41 mm                                 |
| Width               | 41 mm                                 |
| Depth               | 20 mm                                 |
| Mounting method     | inserted, screwed, Shaking protection |
| Clamping range min. | 4 mm                                  |
| Clamping range max. | 6 mm                                  |

**Environmental characteristics | Climatic**

|                            |        |
|----------------------------|--------|
| Operating temperature min. | -40 °C |
| Operating temperature max. | 85 °C  |

**Important installation notes**

|                        |   |
|------------------------|---|
| Note on bending radius | <b>Attention:</b> Observe the permissible bending radii when laying cables, as the IP protection class can be endangered by excessive bending forces. |
| Note on strain relief  | Protect the connectors by suitable measures from mechanical loads, e.g. by the usage of cable ties.   |