

M12 female recept. A-cod. rear

PUR-wires 5x0.34 0.2m

Art.No.: 7000-13565-9720020

Weight: 0.019 kg

Country of origin: DE

Model designation: MSBFH-U972_0.2

Flange female

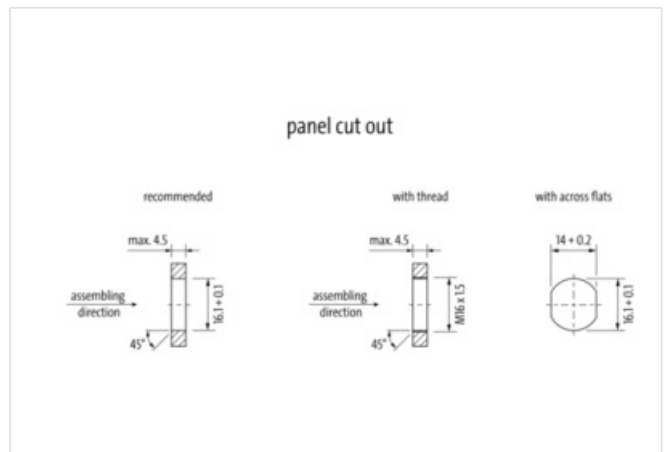
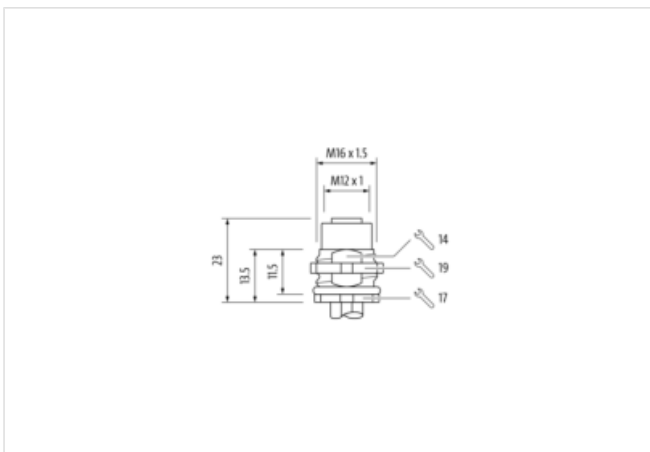
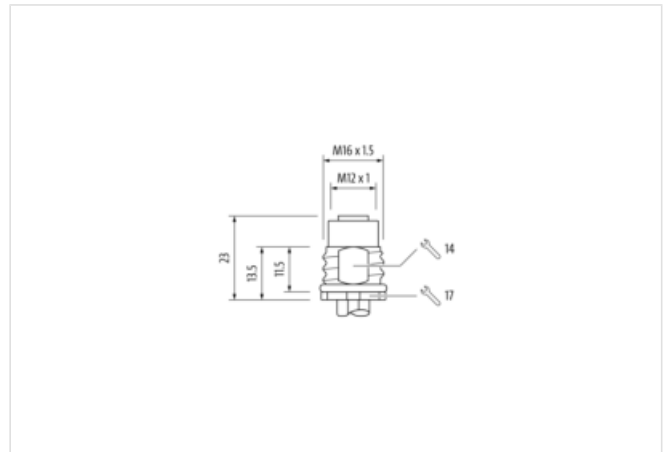
M12, 5-pole

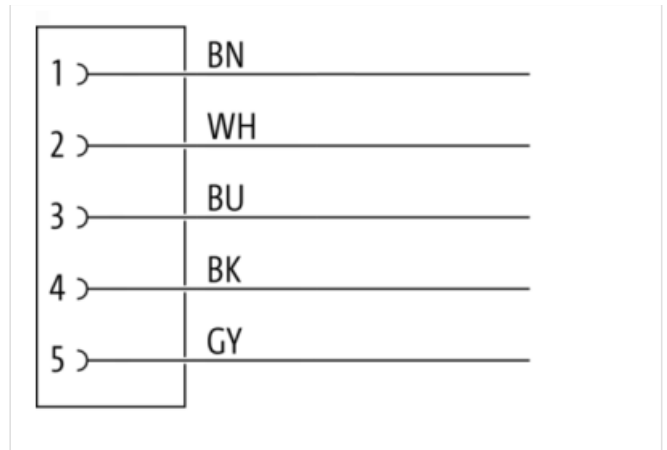
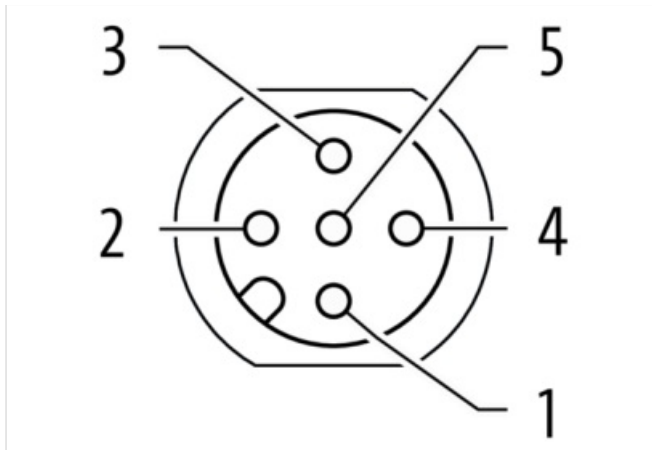
Rear mounting

with multi-strand wire

[Link to Product](#)

Illustration





Product may differ from image



Cable length 0,20 m

Side 1	
Family construction form	M12
Coding	A
Gender	female
Mounting method	inserted, screwed
Threaded hole	M12 x 1
Tightening torque	0,6 Nm
Material	Brass
Material contact	Copper alloy
Coating contact	gold plated
Degree of protection (EN IEC 60529)	IP67
Commercial data	
URL Webshop	https://shop.murrelektronik.com/7000-13565-9720020
Customs tariff number	85444290
customs tariff number	85444290
EAN	4048879330251
Packaging unit	1

Electrical data Supply	
Operating voltage AC max.	125 V
Operating voltage DC max.	125 V
Current operating per contact max.	4 A
Diagnostics	
Status indication LED	No
Installation Connection	
Mounting set	M16 x 1.5
Width across flats	SW19
Device protection Electrical	
Protection NEMA	6P, 4, 3
Additional condition protection degree	inserted, screwed
Pollution Degree	3
Rated surge voltage	1,5 kV
Material group (IEC 60664-1)	I
Mechanical data	
Contour for corrugated hose	without
Mechanical data Material data	
Coating housing	nickel plated
Screw connection	Brass
Coating of fitting	nickel plated
Locking material	Brass
Coating locking	nickel plated
Gasket	FKM
Mechanical data Mounting data	
Mounting method	Schraubgewinde
Looking techniques	Schraubgewinde
Environmental characteristics Climatic	
Operating temperature min.	-30 °C
Operating temperature max.	85 °C
Additional condition temperature range	depending on cable quality
Important installation notes	
Note on bending radius	Attention: Observe the permissible bending radii when laying cables, as the IP protection class can be endangered by excessive bending forces.
Note on strain relief	Protect the connectors by suitable measures from mechanical loads, e.g. by the usage of cable ties.
Conformity	
Product standard	EN IEC 61076-2-101 (M12)
Approvals	
UL 50E	Yes
Temperature range Cable	
Cable identification	972
Cable weight	38 g/m
Wire arrangement	BN, WH, BU, BK, GY
Material wire insulation	PUR
Amount wires	5
Outer diameter insulation	1.3 mm
Conductor crosssection (wire)	0,34 mm ²
Material conductor wire	copper stranded wire, tinned
Core construction (wire)	19 × 0.15 mm
Conductor resistance (wire)	58 Ω/km @ 20 °C

Nominal voltage max.	300 V
Withstand voltage (wire - wire)	1.5 kV
Withstand voltage (wire - jacket)	1.5 kV
Operating temperature (static)	-40 °C ... 90 °C
Operating temperature (dynamic)	-25 °C ... 90 °C