

**M12 male 0° Y-cod. with cable shielded**

PUR AWG20/26 shielded gn UL/CSA+drag ch. 3m

Art.No.: 7000-15501-8310300

Weight: 0.32

Country of origin: CZ

Model designation: MSYAL0-08D831\_3.0-ZS

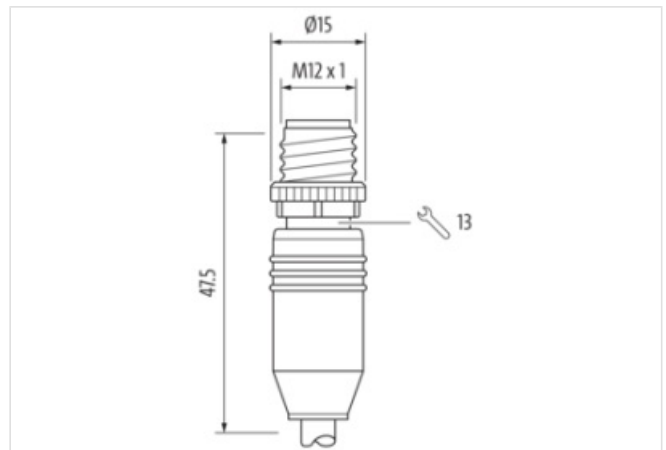
**Advantages of our connectors:**

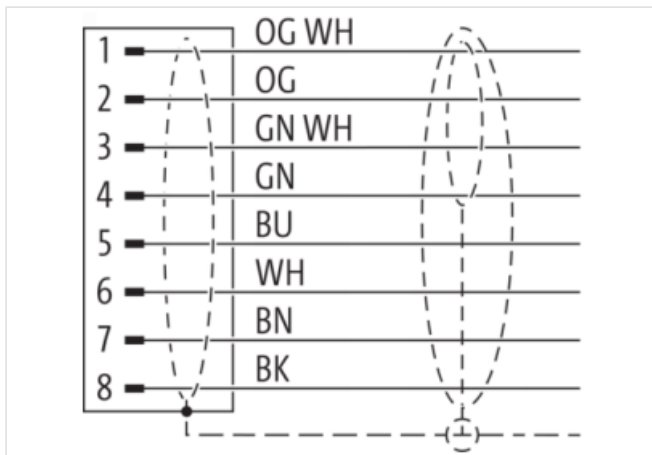
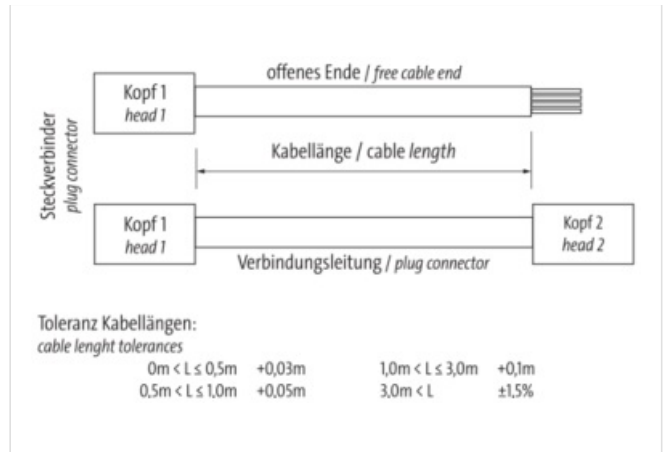
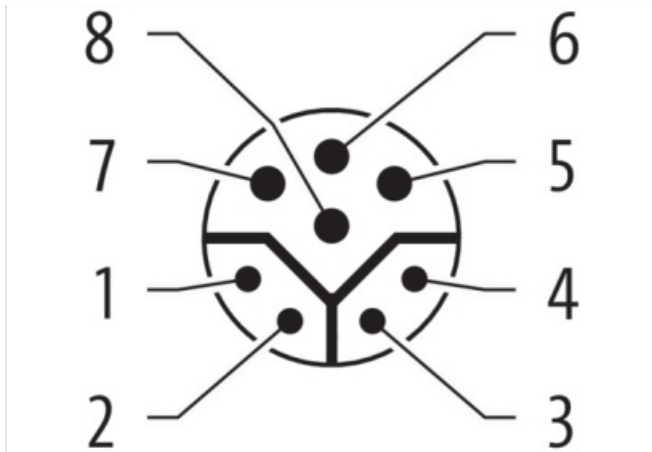
Our connectors are versatile and specially optimised for industrial environments. All connectors are 100% tested during the manufacturing process to ensure the highest quality and reliability.

The contacts are gold-plated, which ensures optimum conductivity. Thanks to the high degree of protection, the connectors are ideal for demanding industrial environments. They are also vibration-resistant - this is ensured by the union nut with vibration protection.

Our connectors are resistant to oils and cooling lubricants, but resistance to aggressive media should be tested for each specific application. Different cable lengths available [on request](#)

If you are missing technical information? Please feel free to use our [dictionary](#) to find more technical details.

**Product details:Ethernet CAT5****Male straight****M12, 8-pole****Y-coded****shielded****Further cable lengths on request.****Plastic housings with good resistance against chemicals and oils.****The resistance to aggressive media should be individually tested for your application. Further details on request.**[Link to Product](#)**Illustration**



Product may differ from Image



<b>Header</b>	
Cable length	3.0 m
<b>Side 1</b>	
Family construction form	M12
No. of poles	8
Coding	Y
Gender	male
Mounting method	inserted, screwed
Thread	M12 x 1
Tightening torque	0.6 Nm
Width across flats	SW13
Cable outlet	straight
Material	PUR
Material contact	Copper alloy
Coating contact	gold plated
Degree of protection (EN IEC 60529)	IP65, IP66K, IP67
<b>Side 2</b>	
Family construction form	free cable end

Stripping length (jacket)	80 mm
<b>Commercial data</b>	
URL Webshop	<a href="https://shop.murrelektronik.com/7000-15501-8310300">https://shop.murrelektronik.com/7000-15501-8310300</a>
customs tariff number	85444290
EAN	4048879519366
Packaging unit	1
<b>Electrical data   Supply</b>	
Operating voltage AC max.	50 V
Operating voltage DC max.	50 V
Operating current per data contact max.	0.5 A
Operating current per power contact max.	6 A
<b>Industrial communication</b>	
Data transmission rate max.	100 Mbit/s
Transfer parameters	CAT5, Class D (ISO/IEC 11801:2002), (EN 50173-1)
<b>Industrial communication   Ethernet functionality</b>	
duplex	Full duplex
<b>Device protection   Electrical</b>	
Additional condition protection degree	inserted, screwed
Pollution Degree	3
Rated surge voltage	0.8 kV
Material group (IEC 60664-1)	I
<b>Mechanical data</b>	
Contour for corrugated hose	without
<b>Mechanical data   Material data</b>	
Material screw connection	Zinc die-casting
Coating of fitting	nickel plated
<b>Environmental characteristics   Climatic</b>	
Operating temperature min.	-30 °C
Operating temperature max.	85 °C
Additional condition temperature range	depending on cable quality
<b>Important installation notes</b>	
Note on bending radius	Attention: Observe the permissible bending radii when laying cables, as the IP protection class can be endangered by excessive bending forces.
Note on strain relief	Protect the connectors by suitable measures from mechanical loads, e.g. by the usage of cable ties.
<b>Conformity</b>	
Product standard	DIN EN 61076-2-113 (M12)
<b>Installation   Cable</b>	
Function cable	Hybrid, Data, Power
Amount stranding	1
Stranding	Wires
Amount stranding (type 2)	1
Stranding (type 2)	Wires
Cable shielding (type)	copper braid, tinned
Cable shielding (coverage)	85 %
Pair shielding (type)	copper braid, tinned
Pair shielding (coverage)	85 %
Banding	Fleece, Foil
Wire arrangement	(, black, brown, white, blue, ), orange-white, orange, green-white, green
Cable weight	107.8 g/m
Material wire insulation	PP

Amount wires	4
Outer diameter insulation	1.5 mm
Outer diameter tolerance core insulation	± 0.1 mm
Shore hardness wire insulation	55
Ingredient freeness wire insulation	CFC-free, cadmium-free, silicone-free, halogen-free, lead-free
Amount strands (wire)	19
Diameter of single wires	32 AWG
Conductor crosssection (wire)	20 AWG
Material conductor wire	Stranded copper wire, bare
Material wire insulation (type 2)	PP
Outer diameter wire insulation (type 2)	1.25 mm
Tolerance outer diameter wire insulation (type 2)	± 0.1 mm
Shore hardness wire insulation (type 2)	55
Ingredient freeness wire insulation (type 2)	CFC-free, cadmium-free, silicone-free, halogen-free, lead-free
Amount wires (type 2)	4
Amount strands wire (type 2)	19
Diameter of single wires (type 2)	38 AWG
Conductor crosssection wire (type 2)	26 AWG
Material conductor wire (type 2)	Stranded copper wire, bare
Outer-diameter (jacket)	8.1 mm
Tolerance outer diameter (sheath)	± 5 %
Material jacket	PUR
Shore hardness jacket	90
Freedom from ingredients (jacket)	CFC-free, cadmium-free, silicone-free, halogen-free, lead-free
Material property (jacket)	matte, good machinability, abrasion-resistant, low adhesion
Conductor resistance (wire)	35 Ω/km
Conductor resistance (wire type 2)	140 Ω/km @ 20 °C
Electrical capacity line constant (wire - wire)	52,000 pF/km
Isolation resistance	5,000 MΩ × km
Nominal voltage AC max.	60 V
Withstand voltage (wire - wire)	1 kV @ 60 s
Withstand voltage (wire - jacket)	1 kV @ 60 s
Withstand voltage (wire - shield)	1 kV @ 60 s
Current load capacity (standard)	to DIN VDE 0298-4
Current load capacity min. Wire (type 2)	2.4 A
Current carrying capacity min. wire (type 3)	7.2 A
Characteristic impedance	100 Ω 15 MHz
Min. operating temperature (static)	-40 °C
Max. operating temperature (fixed)	80 °C / 90 °C @ 10000 h Operation
Operating temperature min. (dynamic)	-30 °C
Operating temperature max. (dynamic)	80 °C / 90 °C @ 10000 h Operation
Bending radius (fixed)	5 × Outer diameter
Bending radius (dynamic)	10 × Outer diameter
No. of bending cycles (C-track)	5 Mio. @ 25 °C
Traversing distance (C-track)	5 m @ 25 °C
Travel speed (C-track)	3.3 m/s @ 25 °C
Acceleration (C-track)	5 m/s <sup>2</sup> @ 25 °C
No. of torsion cycles	2 Mio.
Torsion stress	30 °C
Torsion speed	35 cycles/min