

M12 male 0° A-cod. / MSUD valve plug CI-9.4mm

PVC 3x0.75 gy 1m

Art.No.: 7000-41041-2160100

Weight: 0.086 kg

Country of origin: CZ

Model designation: MSRL3-A-W216_1.0

MSUD

Form CI (9.4 mm) – M12, male straight

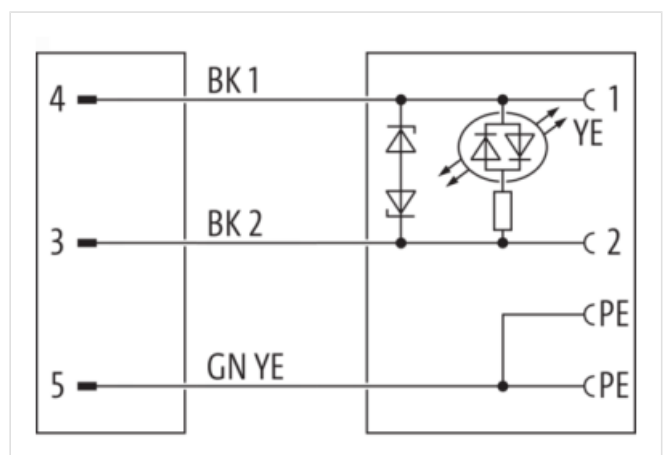
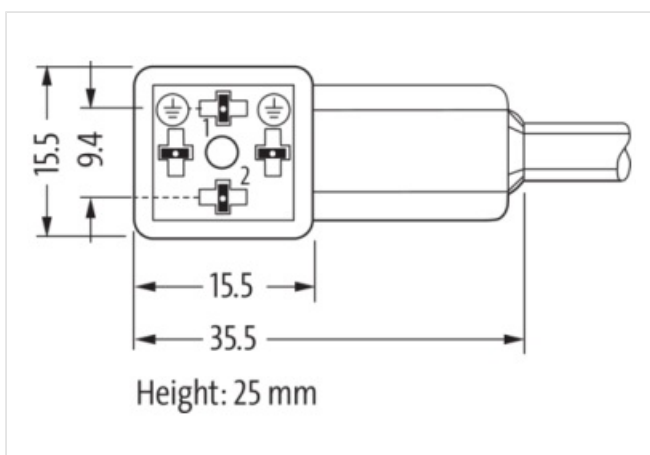
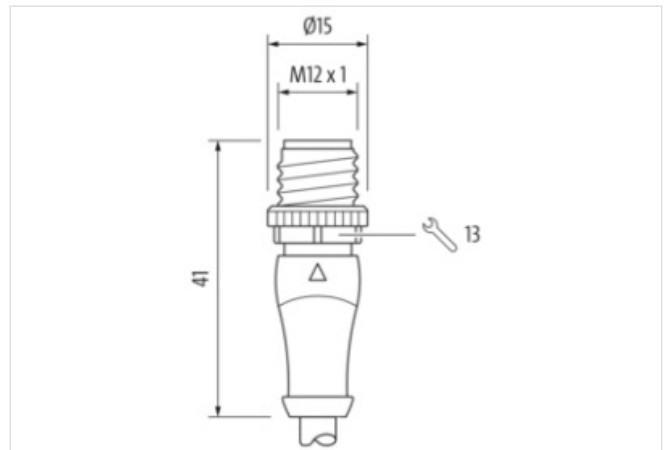
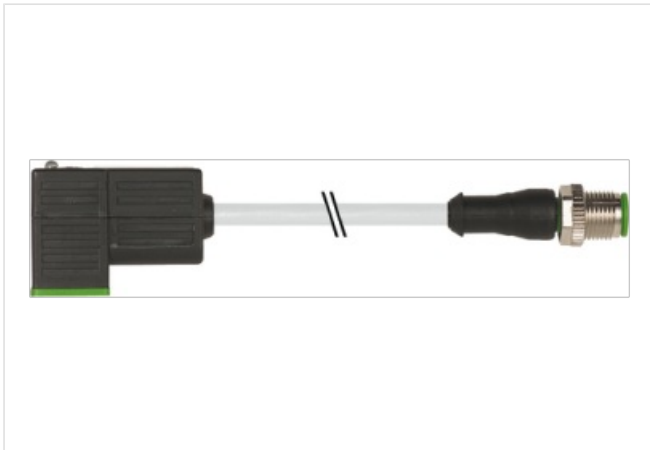
24 V AC $\pm 20\%$ / DC $\pm 25\%$

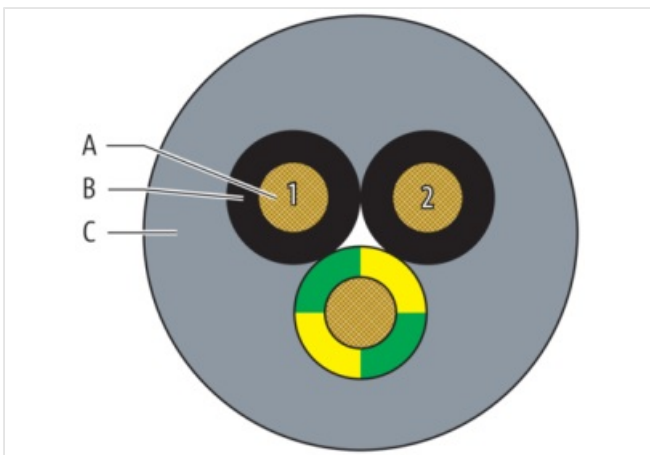
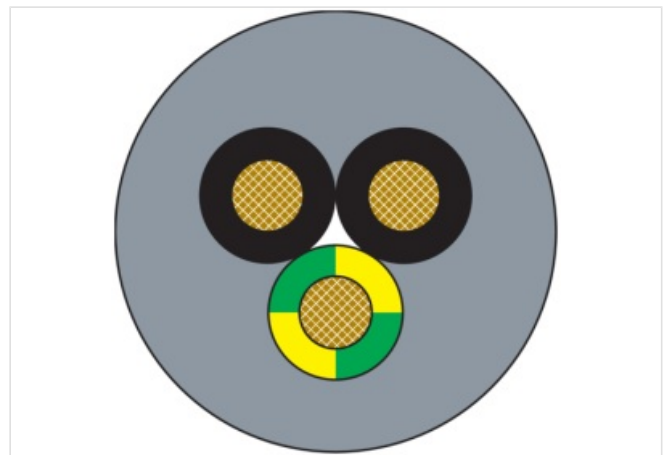
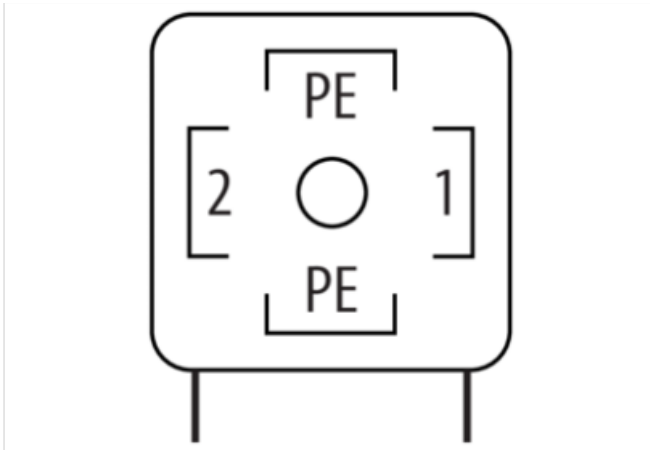
LED and suppression

Further cable lengths on request.

Plastic housings with good resistance against chemicals and oils.

The resistance to aggressive media should be individually tested for your application. Further details on request.

[Link to Product](#)**Illustration**



Product may differ from Image



Commercial data

| | |
|---------------------|---|
| Material short text | MSRL3-A-W216_1.0 |
| URL Webshop | https://shop.murrelektronik.com/7000-41041-2160100 |
| GTIN | 4048879147033 |

| | |
|-----------------------|---------------|
| ECLASS-6.0 | 27279218 |
| ECLASS-6.1 | 27279218 |
| ECLASS-7.0 | 27279218 |
| ECLASS-7.1 | 27279218 |
| ECLASS-8.0 | 27279218 |
| ECLASS-8.1 | 27279218 |
| ECLASS-9.0 | 27060312 |
| ECLASS-9.1 | 27060312 |
| ECLASS-10.0.1 | 27060312 |
| ECLASS-10.1 | 27060312 |
| ECLASS-11.0 | 27060312 |
| ECLASS-11.1 | 27060312 |
| ECLASS-12.0 | 27060312 |
| ECLASS-13.0 | 27060312 |
| ECLASS-14.0 | 27060312 |
| ETIM-5.0 | EC001855 |
| ETIM-6.0 | EC001855 |
| ETIM-7.0 | EC001855 |
| ETIM-8.0 | EC001855 |
| customs tariff number | 85444290 |
| EAN | 4048879147033 |
| Packaging unit | 1 |

| | |
|--------------|--------|
| Cable length | 1,00 m |
|--------------|--------|

Side 1

| | |
|---|--------------------|
| Family construction form | M12 |
| No. of poles | 4 |
| Coding | A |
| Mounting method | pluggable, screwed |
| Threaded hole | M12 x 1 |
| Tightening torque | 0,4 Nm |
| Width across flats | SW13 |
| suitable for corrugated tube (internal Ø) | 10 mm |
| Material | PUR |
| Material contact | Copper alloy |
| Coating contact | gold plated |
| Degree of protection (EN IEC 60529) | IP67 |

Side 2

| | |
|---|-------------------------|
| Family construction form | Valve connector form CI |
| No. of poles | 3 |
| Mounting method | inserted, screwed |
| Threaded hole | M3x31 |
| Tightening torque | 0,6 Nm |
| suitable for corrugated tube (internal Ø) | 10 mm |
| Material | PBT |
| Degree of protection (EN IEC 60529) | IP67 |

Electrical data

| | |
|--------------------------|-------|
| Drop-out delay time max. | 20 ms |
|--------------------------|-------|

Electrical data | Supply

| | |
|---------------------------|--------|
| Operating voltage AC | 24 V |
| Operating voltage AC min. | 19,2 V |
| Operating voltage AC max. | 28,8 V |
| Operating voltage DC | 24 V |

| | |
|------------------------------------|------|
| Operating voltage DC min. | 18 V |
| Operating voltage DC max. | 30 V |
| Current operating per contact max. | 4 A |
| Cut-off peak voltage max. | 55 V |

Diagnostics

| | |
|-----------------------|--------|
| Status indication LED | yellow |
|-----------------------|--------|

Device protection | Electrical

| | |
|--|-------------------|
| Additional condition protection degree | inserted, screwed |
| Pollution Degree | 3 |
| Additional suppressor | LED, Z-Diode |
| Rated surge voltage | 0,8 kV |
| Material group (IEC 60664-1) | I |

Mechanical data | Material data

| | |
|---------------|---------|
| housing | Plastic |
| Color housing | black |

Environmental characteristics | Climatic

| | |
|--|----------------------------|
| Operating temperature min. | -25 °C |
| Operating temperature max. | 85 °C |
| Additional condition temperature range | depending on cable quality |

Important installation notes

| | |
|------------------------|---|
| Note on bending radius | Attention: Observe the permissible bending radii when laying cables, as the IP protection class can be endangered by excessive bending forces. |
| Note on strain relief | Protect the connectors by suitable measures from mechanical loads, e.g. by the usage of cable ties. |

Conformity

| | |
|------------------|--|
| Product standard | EN IEC 61076-2-101 (M12), EN 175301-803 (valve plug) |
|------------------|--|

Installation | Cable

| | |
|--|--|
| Cable identification | 216 |
| Cable Type | 1 |
| Amount stranding | 1 |
| Stranding | 3 wires stranded |
| Cable weight | 58 g/m |
| Material wire insulation | PVC |
| Amount wires | 3 |
| Outer diameter insulation | 1,8 mm |
| Outer diameter tolerance core insulation | ± 0,1 mm |
| Shore hardness wire insulation | 43 ± 5 Shore D |
| Material properties wire insulation | good machinability |
| Ingredient freeness wire insulation | lead-free, cadmium-free, CFC-free, silicone-free |
| Printing color of wire insulation | white (isolation black) |
| Amount strands (wire) | 24 |
| Diameter of single wires | 0,2 mm |
| Conductor crosssection (wire) | 0,75 mm ² |
| Material conductor wire | Stranded copper wire, bare |
| Conductor type (wire) | Strand class 5 |
| Outer-diameter (jacket) | 5,9 mm |
| Tolerance outer diameter (sheath) | ± 5 % |
| Material jacket | PVC |
| Shore hardness jacket | 80 ± 5 Shore A |
| Freedom from ingredients (jacket) | lead-free, cadmium-free, CFC-free, silicone-free |
| Material property (jacket) | good machinability |
| Conductor resistance (wire) | 26 Ω/km @ 20 °C |
| Max. rated voltage (conductor - ground) | 300 V |

| | |
|--|-----------------------------|
| Max. rated voltage (conductor - conductor) | 500 V |
| Withstand voltage (wire - wire) | 3 kV @ 60 s |
| Withstand voltage (wire - jacket) | 3 kV @ 60 s |
| Current load capacity (standard) | to DIN VDE 0298-4 |
| Current load capacity max. (wire) | 12 A |
| Operating temperature min. (static) | -30 °C |
| Operating temperature max. (static) | 70 °C |
| Operating temperature min. (dynamic) | -5 °C |
| Operating temperature max. (dynamic) | 70 °C |
| Oil resistance | good |
| Chemical resistance | good |
| Other resistances | good resistance to gasoline |
| Bending radius (fixed) | 5 × Outer diameter |
| Bending radius (dynamic) | 10 × Outer diameter |