

**M12 male 0° A-cod. / MSUD valve plug CI-9.4mm**

PUR 3x0.75 gy UL/CSA+drag ch. 0.3m

Art.No.: 7000-41041-2360030

Weight: 0.042 kg

Country of origin: CZ

Model designation: MSRL3-A-W236\_0.3

**MSUD**

Form CI (9.4 mm) – M12, male straight

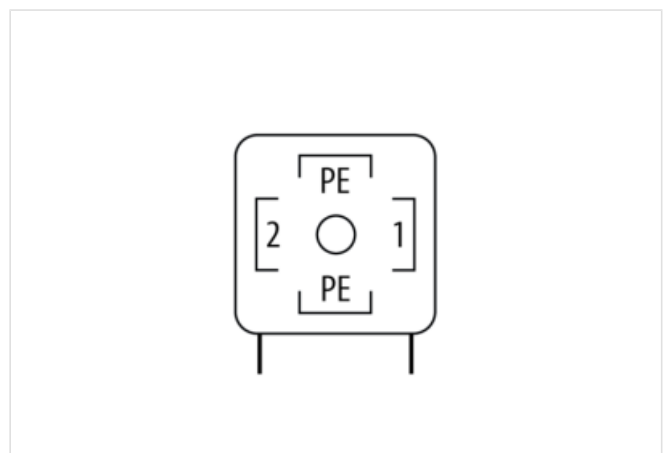
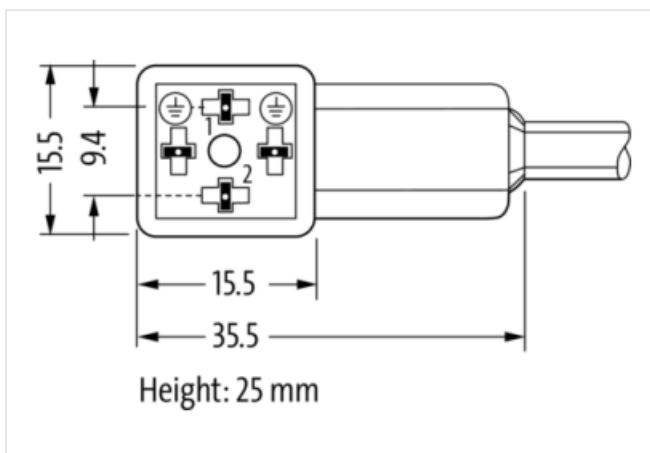
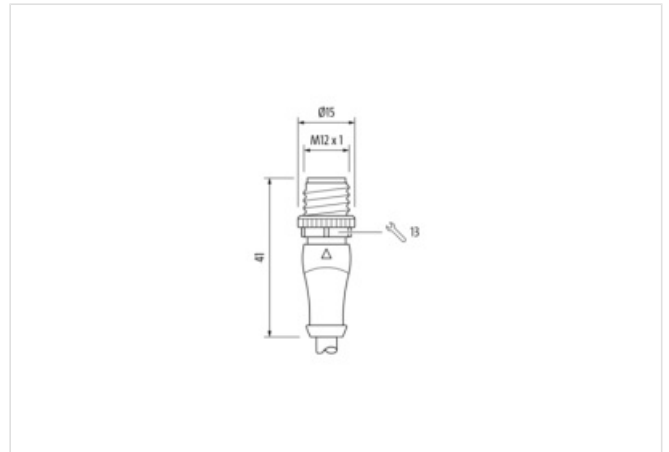
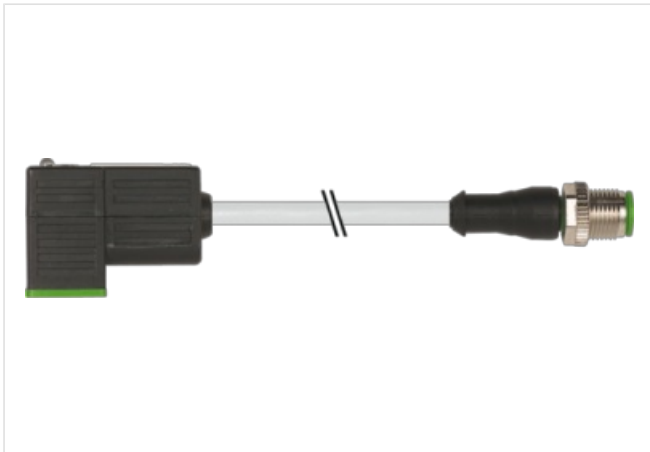
24 V AC  $\pm 20\%$  / DC  $\pm 25\%$ 

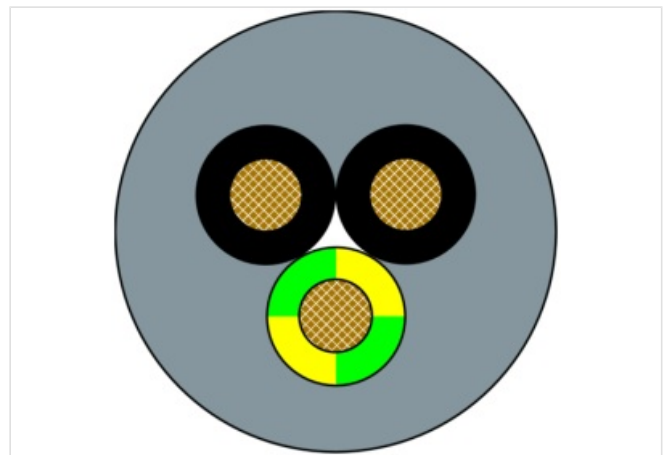
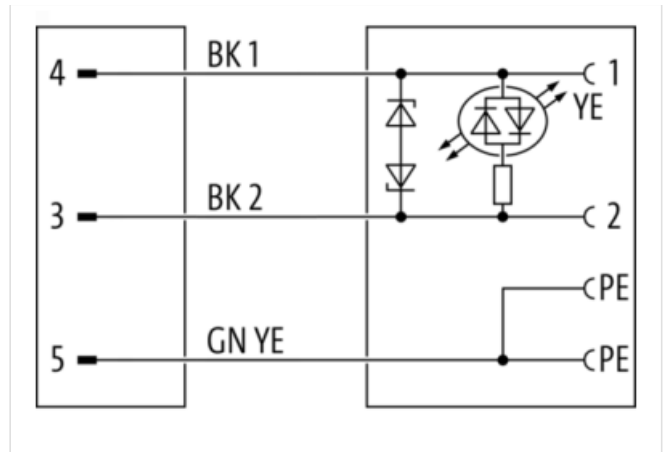
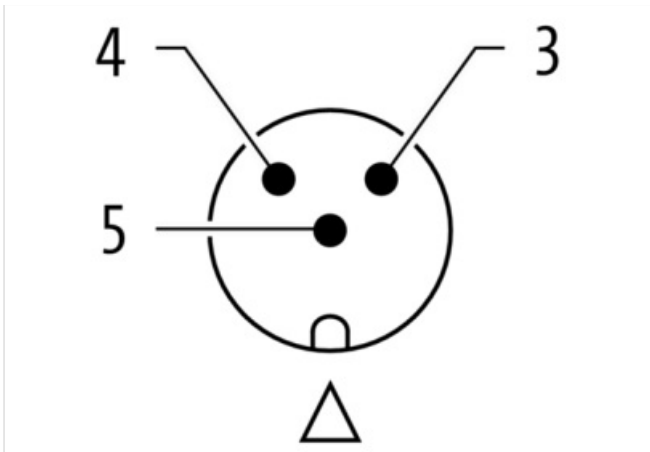
LED and suppression

Further cable lengths on request.

Plastic housings with good resistance against chemicals and oils.

The resistance to aggressive media should be individually tested for your application. Further details on request.

[Link to Product](#)**Illustration**



Product may differ from Image



Cable length 0,30 m

**Side 1**

|   |                    |
|---|--------------------|
| Family construction form                  | M12                |
| No. of poles                              | 4                  |
| Coding                                    | A                  |
| Mounting method                           | pluggable, screwed |
| Threaded hole                             | M12 x 1            |
| Tightening torque                         | 0,4 Nm             |
| Width across flats                        | SW13               |
| suitable for corrugated tube (internal Ø) | 10 mm              |
| Material                                  | PUR                |
| Material contact                          | Copper alloy       |
| Coating contact                           | gold plated        |
| Degree of protection (EN IEC 60529)       | IP67               |

**Side 2**

|                          |                         |
|--------------------------|-------------------------|
| Family construction form | Valve connector form CI |
| No. of poles             | 3                       |
| Mounting method          | inserted, screwed       |

|   |        |
|---|--------|
| Threaded hole                             | M3x31  |
| Tightening torque                         | 0,6 Nm |
| suitable for corrugated tube (internal Ø) | 10 mm  |
| Material                                  | PBT    |
| Degree of protection (EN IEC 60529)       | IP67   |

**Commercial data**

|                       |   |
|-----------------------|---|
| URL Webshop           | <a href="https://shop.murrelektronik.com/7000-41041-2360030">https://shop.murrelektronik.com/7000-41041-2360030</a> |
| GTIN                  | 4048879146913   |
| Customs tariff number | 85444290  |
| ECLASS-6.0            | 27279218  |
| ECLASS-6.1            | 27279218  |
| ECLASS-7.0            | 27279218  |
| ECLASS-7.1            | 27279218  |
| ECLASS-8.0            | 27279218  |
| ECLASS-8.1            | 27279218  |
| ECLASS-9.0            | 27060312  |
| ECLASS-9.1            | 27060312  |
| ECLASS-10.0.1         | 27060312  |
| ECLASS-10.1           | 27060312  |
| ECLASS-11.0           | 27060312  |
| ECLASS-11.1           | 27060312  |
| ECLASS-12.0           | 27060312  |
| ECLASS-13.0           | 27060312  |
| ECLASS-14.0           | 27060312  |
| ETIM-5.0              | EC001855  |
| ETIM-6.0              | EC001855  |
| ETIM-7.0              | EC001855  |
| ETIM-8.0              | EC001855  |
| customs tariff number | 85444290  |
| EAN                   | 4048879146913   |
| Packaging unit        | 1   |

**Electrical data**

|                          |       |
|--------------------------|-------|
| Drop-out delay time max. | 20 ms |
|--------------------------|-------|

**Electrical data | Supply**

|                                    |        |
|------------------------------------|--------|
| Operating voltage AC               | 24 V   |
| Operating voltage AC min.          | 19,2 V |
| Operating voltage AC max.          | 28,8 V |
| Operating voltage DC               | 24 V   |
| Operating voltage DC min.          | 18 V   |
| Operating voltage DC max.          | 30 V   |
| Current operating per contact max. | 4 A    |
| Cut-off peak voltage max.          | 55 V   |

**Diagnostics**

|                       |        |
|-----------------------|--------|
| Status indication LED | yellow |
|-----------------------|--------|

**Device protection | Electrical**

|  |                   |
|--|-------------------|
| Additional condition protection degree | inserted, screwed |
| Pollution Degree                       | 3                 |
| Additional suppressor                  | LED, Z-Diode      |
| Rated surge voltage                    | 0,8 kV            |
| Material group (IEC 60664-1)           | I                 |

**Mechanical data | Material data**

|   |   |
|---|---|
| housing   | Plastic   |
| Color housing                                   | black   |
| Material jacket                                 | PUR   |
| <b>Environmental characteristics   Climatic</b> |   |
| Operating temperature min.                      | -25 °C  |
| Operating temperature max.                      | 85 °C   |
| Additional condition temperature range          | depending on cable quality  |
| <b>Important installation notes</b>             |   |
| Note on bending radius                          | <b>Attention:</b> Observe the permissible bending radii when laying cables, as the IP protection class can be endangered by excessive bending forces. |
| Note on strain relief                           | Protect the connectors by suitable measures from mechanical loads, e.g. by the usage of cable ties.   |
| <b>Conformity</b>                               |   |
| Product standard                                | EN IEC 61076-2-101 (M12), EN 175301-803 (valve plug)  |
| <b>Installation   Cable</b>                     |   |
| Cable identification                            | 236   |
| Cable Type                                      | 3   |
| Cable weighth                                   | 51 g/m  |
| UL AWM Style                                    | 20549 / 10493   |
| Stranding                                       | 1 × 3 wires stranded  |
| Wire arrangement                                | BK 1, BK 2, GNYE  |
| Material wire insulation                        | PP  |
| Amount wires                                    | 3   |
| Outer diameter insulation                       | 1.85 mm ± 0.1 mm  |
| Conductor crosssection (wire)                   | 0,75 mm <sup>2</sup>  |
| Material conductor wire                         | Stranded copper wire, bare  |
| Core construction (wire)                        | 42 × 0.15 mm  |
| Ingredient freeness wire insulation             | lead-free, cadmium-free, CFC-free, halogen-free, silicone-free  |
| Material jacket                                 | PUR   |
| Outer-diameter (jacket)                         | 5.9 mm ± 5 %  |
| Jacket Color                                    | gray / RAL 7040   |
| Freedom from ingredients (jacket)               | lead-free, cadmium-free, CFC-free, halogen-free, silicone-free  |
| Material property (jacket)                      | abrasion-resistant, low adhesion, good machinability, matte   |
| Conductor resistance (wire)                     | 26 Ω/km @ 20 °C   |
| Nominal voltage max.                            | 300 V   |
| Withstand voltage (wire - wire)                 | 2.5 kV @ 60 s   |
| Withstand voltage (wire - jacket)               | 2.5 kV @ 60 s   |
| Current load capacity max. (wire)               | 12 A  |
| Current load capacity (standard)                | to DIN VDE 0298-4   |
| Operating temperature (static)                  | -40 °C ... 80 °C / 90 °C @ 10000 h Operation  |
| Operating temperature (dynamic)                 | -25 °C ... 80 °C / 90 °C @ 10000 h Operation  |
| Operating temperature (drag chain)              | -25 °C ... 80 °C / 90 °C @ 10000 h Operation  |
| Flame resistance                                | UL 1581 § 1090, CSA FT2, IEC 60332-2-2  |
| Oil resistance                                  | IEC 60811-404   |
| Chemical resistance                             | good  |
| Other resistances                               | good resistance to gasoline, resistant to hydrolysis, resistant to microbes   |
| Notes   | application-related testing   |
| Bending radius (fixed)                          | 5 × Outer diameter  |
| Bending radius (dynamic)                        | 10 × Outer diameter   |
| No. of bending cycles (C-track)                 | 10 Mio. @ 25 °C   |
| Traversing distance (C-track)                   | 10 m @ 25 °C   horizontal   |
| Travel speed (C-track)                          | 3 m/s @ 25 °C   |
| Acceleration (C-track)                          | 10 m/s <sup>2</sup> @ 25 °C   |
| No. of torsion cycles                           | 2 Mio.  |

|                |               |
|----------------|---------------|
| Torsion stress | $\pm 180$ °/m |
| Torsion speed  | 35 cycles/min |

---