

**T-Coupler Slimline M12 male/ 2x M8 female A-cod.**

4-pol. / 2x 3-pol.

Art.No.: 7000-41211-0000000

Weight: 0.02

Country of origin: DE

Model designation: MSA01TL0-FR-FR

T-coupler (Slim Line)

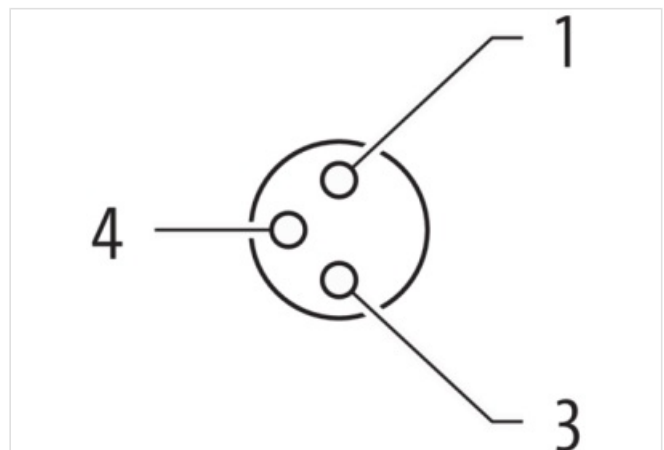
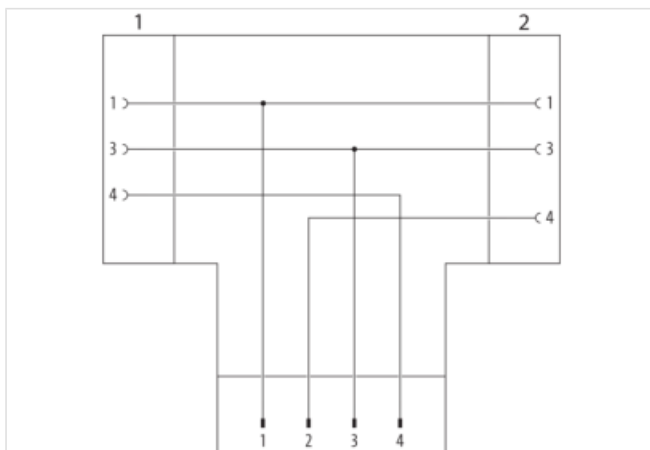
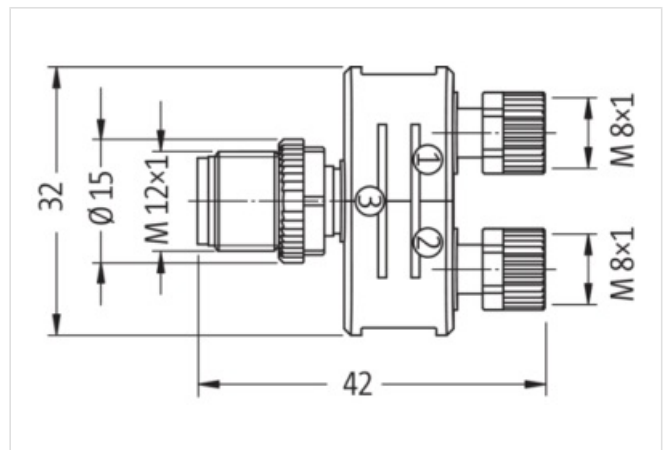
Male straight – females straight

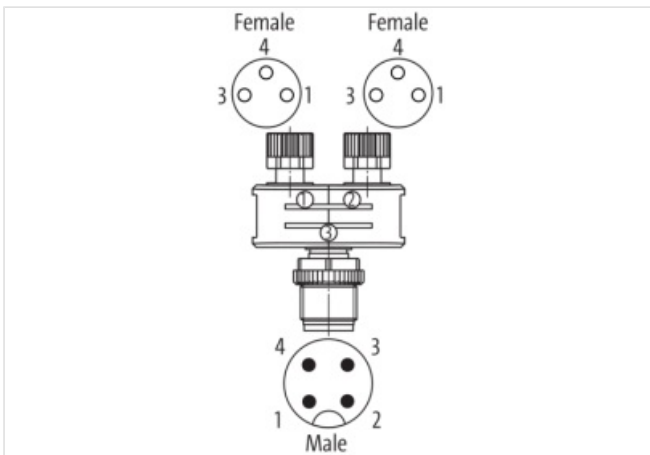
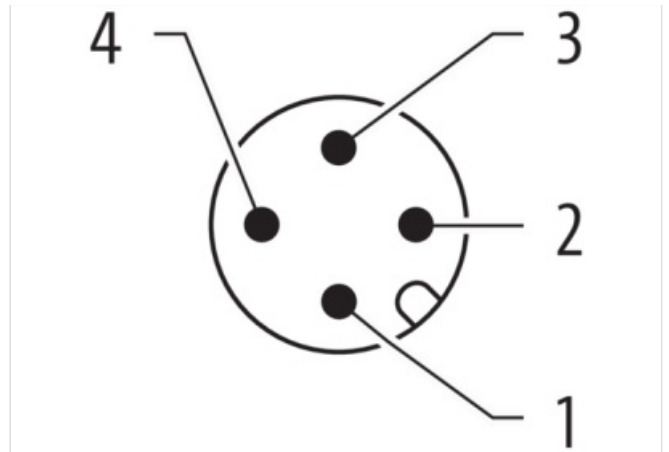
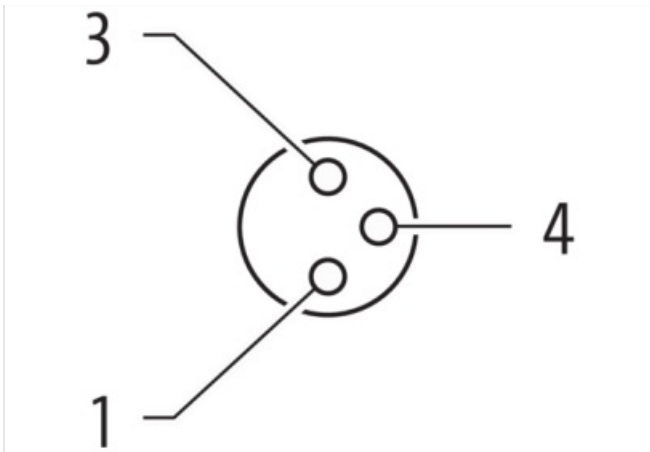
M12 – M8, 4-pole

Distribution function (NO)

Plastic housings with good resistance against chemicals and oils.

The resistance to aggressive media should be individually tested for your application. Further details on request.

[Link to Product](#)**Illustration**



Product may differ from Image



**Side 1**

Family construction form	M8
No. of poles	3
Coding	A
Gender	female
Mounting method	pluggable, screwed
Thread	M8 x 1
Tightening torque	0.4 Nm
Width across flats	SW9
Degree of protection (EN IEC 60529)	IP67

**Side 2**

Family construction form	M8
No. of poles	3
Coding	A
Gender	female
Mounting method	pluggable, screwed
Thread	M8 x 1
Tightening torque	0.4 Nm

Width across flats	SW9
Degree of protection (EN IEC 60529)	IP67

**Side 3**

Family construction form	M12
No. of poles	4
Coding	A
Gender	male
Mounting method	pluggable, screwed
Thread	M12 x 1
Tightening torque	0.6 Nm
Width across flats	SW13
Degree of protection (EN IEC 60529)	IP67

**Commercial data**

URL Webshop	<a href="https://shop.murrelektronik.com/7000-41211-0000000">https://shop.murrelektronik.com/7000-41211-0000000</a>
customs tariff number	85366990
EAN	4048879144773
Packaging unit	1

**Electrical data | Supply**

Operating voltage AC max.	50 V
Operating voltage DC max.	60 V
Current operating per contact max.	4 A
Operating voltage AC (UL-listed)	30 V
Operating voltage DC (UL-listed)	30 V

**Diagnostics**

Status indication LED	no
-----------------------	----

**Device protection | Electrical**

Additional condition protection degree	inserted, screwed
Pollution Degree	3
Rated surge voltage	1.5 kV
Material group (IEC 60664-1)	I

**Mechanical data | Mounting data**

Mounting method	Schraubgewinde
-----------------	----------------

**Environmental characteristics | Climatic**

Operating temperature min.	-30 °C
Operating temperature max.	85 °C

**Important installation notes**

Note on bending radius	<b>Attention:</b> Observe the permissible bending radii when laying cables, as the IP protection class can be endangered by excessive bending forces.
Note on strain relief	Protect the connectors by suitable measures from mechanical loads, e.g. by the usage of cable ties.

**Conformity**

Product standard	DIN EN 61076-2-101 (M12); DIN EN 61076-2-104 (M8)
------------------	---