

M12 male 0° D-cod. / RJ45 male 0° shielded

PUR 1x4xAWG22 shielded gn UL/CSA+drag ch. 7.5m

Art.No.: 7000-44711-7960750

Weight: 0.546 kg

Country of origin: HU

Model designation: MSRAL0-DA-T796_7.5-ZS

Ethernet CAT5

Male straight – male straight

M12 – RJ45, 4-pole

D-coded

Shielded

with cable sleeves

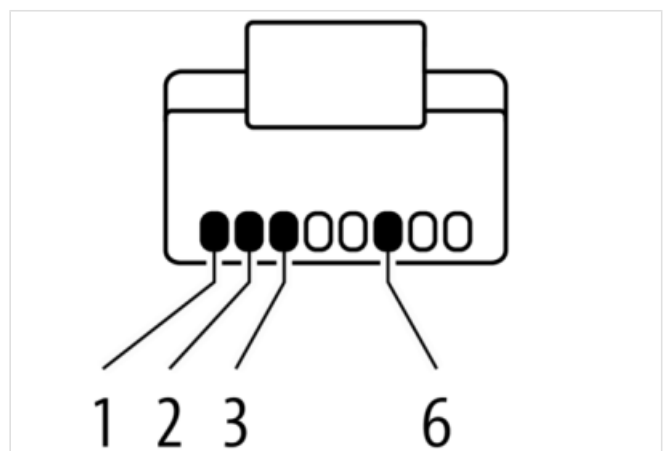
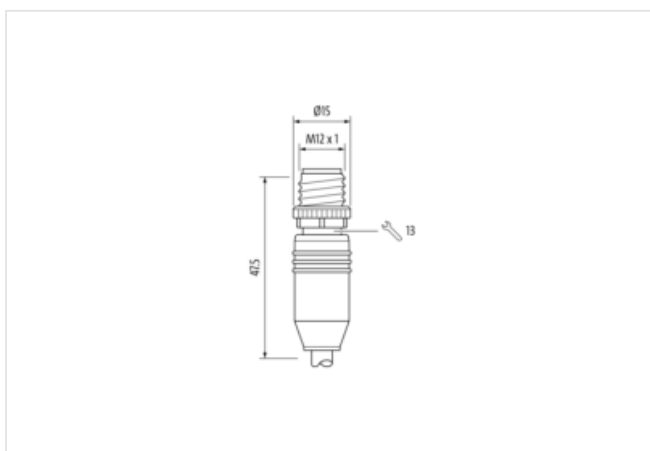
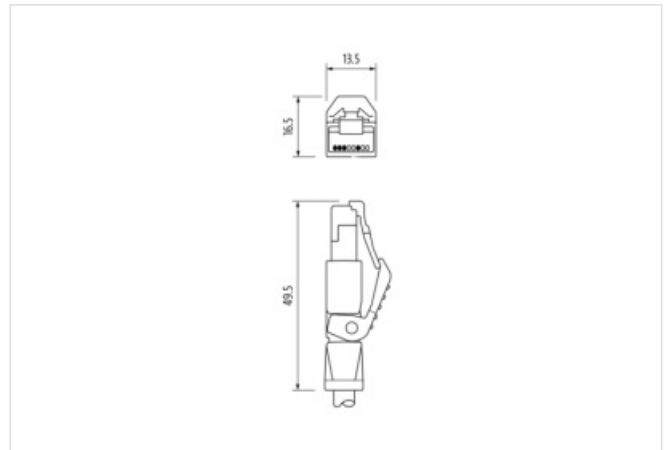
maximum length at channel transmission corresponds to 100 m

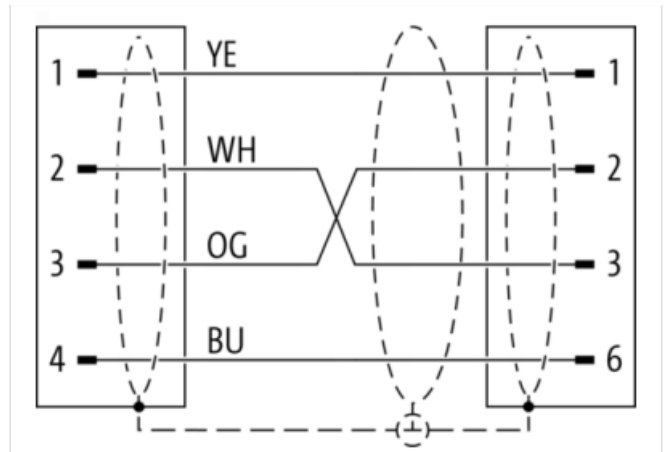
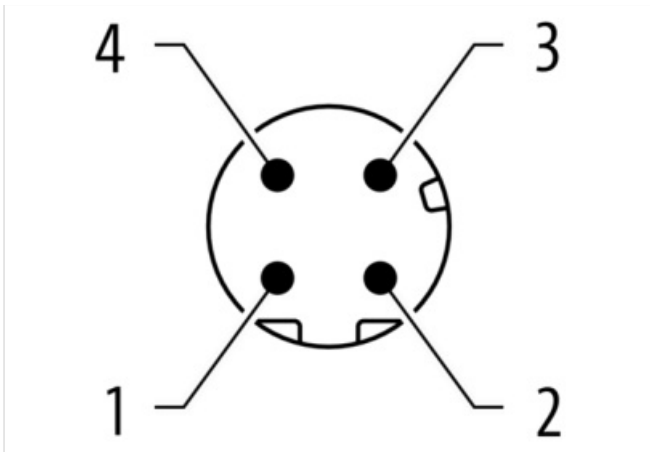
Product fulfills requirements according to UN/ECE R118

Plastic housings with good resistance against chemicals and oils.

The resistance to aggressive media should be individually tested for your application. Further details on request.

Further cable lengths on request.

[Link to Product](#)**Illustration**



Product may differ from Image



Cable length 7,50 m

Side 1

Family construction form	M12
No. of poles	4
Coding	D
Gender	male
Mounting method	inserted, screwed
Threaded hole	M12 x 1
Tightening torque	0,6 Nm
Width across flats	SW13
Cable outlet	straight
Material	PUR
Material contact	Copper alloy
Coating contact	gold plated
Degree of protection (EN IEC 60529)	IP67, IP66K, IP65

Side 2

Family construction form	RJ45
No. of poles	4

Gender	male
Mounting method	pluggable
Cable outlet	straight
Material	PUR
Degree of protection (EN IEC 60529)	IP20

Commercial data

URL Webshop	https://shop.murrelektronik.com/7000-44711-7960750
GTIN	4048879140881
Customs tariff number	85444290
ECLASS-6.0	27061801
ECLASS-6.1	27060307
ECLASS-7.0	27060307
ECLASS-7.1	27060307
ECLASS-8.0	27060307
ECLASS-8.1	27060307
ECLASS-9.0	27060307
ECLASS-9.1	27060307
ECLASS-10.0.1	27060307
ECLASS-10.1	27060307
ECLASS-11.0	27060307
ECLASS-11.1	27060307
ECLASS-12.0	27060307
ECLASS-13.0	27060307
ECLASS-14.0	27060307
ETIM-5.0	EC002599
ETIM-6.0	EC002599
ETIM-7.0	EC002599
ETIM-8.0	EC002599
customs tariff number	85444290
EAN	4048879140881
Packaging unit	1

Electrical data | Supply

Operating voltage DC max.	60 V
Current operating per contact max.	1,5 A

Industrial Communication

Data transmission rate max.	100 Mbit/s
Transfer parameters	CAT5, Class D (ISO/IEC 11801:2002), (EN 50173-1)

Industrial communication | Ethernet functionality

duplex	Full duplex
--------	-------------

Device protection | Electrical

Additional condition protection degree	inserted, screwed
Pollution Degree	3
Rated surge voltage	1 kV
Material group (IEC 60664-1)	I

Mechanical data

Contour for corrugated hose	without
-----------------------------	---------

Mechanical data | Material data

Screw connection	Zinc die-casting
Coating of fitting	Nickeled
Locking material	PA

Environmental characteristics | Climatic

Operating temperature min.	-30 °C
Operating temperature max.	85 °C
Additional condition temperature range	depending on cable quality

Important installation notes

Note on bending radius	Attention: Observe the permissible bending radii when laying cables, as the IP protection class can be endangered by excessive bending forces.
Note on strain relief	Protect the connectors by suitable measures from mechanical loads, e.g. by the usage of cable ties.

Conformity

Product standard	EN IEC 61076-2-101 (M12), EN IEC 60603-7 (RJ45)
------------------	---

Installation | Cable

Cable identification	796
Function cable	Data
Cable weight	63 g/m
UL AWM Style	20549 / 11602
Stranding	1 × 4 wires around core filler star-shaped twisted
Cable shielding (type)	copper braid, tinned
Cable shielding (coverage)	85 %
Banding	Foil, Fleece
Filler	Yes
Wire arrangement	WH, YE, BU, OG
Shield	shielded
Material wire insulation	PE
Amount wires	4
Outer diameter insulation	1.4 mm ± 0.05 mm
Conductor crosssection (wire)	22 AWG
Material conductor wire	Stranded copper wire, bare
Core construction (wire)	7
Ingredient freeness wire insulation	lead-free, CFC-free, halogen-free
Material jacket	PUR
Outer-diameter (jacket)	6.7 mm ± 5 %
Jacket Color	green / RAL 6018
Material inner jacket	FRNC
Color (inner jacket)	natural
Freedom from ingredients (jacket)	lead-free, cadmium-free, CFC-free, halogen-free, silicone-free
Material property (jacket)	abrasion-resistant, low adhesion, good machinability, matte
Cable shielding (type)	copper braid, tinned
Cable shielding (coverage)	85 %
Conductor resistance (wire)	55.4 Ω/km @ 20 °C
Nominal voltage max.	300 V
Withstand voltage (wire - wire)	2 kV @ 60 s
Withstand voltage (wire - jacket)	2 kV @ 60 s
Withstand voltage (wire - shield)	2 kV @ 60 s
Current load capacity max. (wire)	4,8 A
Current load capacity (standard)	to DIN VDE 0298-4
Electrical capacity line constant (wire - wire)	50.000 pF/km
Isolation resistance	5.000 MΩ × km
Characteristic impedance	100 Ω ± 15 %
Cable type	Industrial Ethernet Profinet Typ C, CAT5e
Operating temperature (static)	-40 °C ... 80 °C
Operating temperature (dynamic)	-30 °C ... 70 °C
Operating temperature (drag chain)	-30 °C ... 70 °C
Flame resistance	IEC 60332-1-2, UL 1581 § 1090, UL 1581 § 1100
Oil resistance	IEC 60811-404, IRM 901, NEMA WC55

The information in this Product-PDF has been compiled with the utmost care.

Liability for the correctness completeness and topicality of the information is restricted to gross negligence. Version: 2026-05-06

Murrelektronik Inc. | 1327 Northbrook Parkway, Suite 460 | Suwanee, GA 30024 | Fon +1 770 497-9292 | Fax +1 770 497-9391 | shop@murrinc.com | shop.murrinc.com

Ozone resistance	IEC 60811-403
UV resistance	UL 1581 § 1200
Other resistances	resistant to hydrolysis, resistant to microbes, MUD-resistant (NEK 606)
Notes	application-related testing
Bending radius (fixed)	5 × Outer diameter
Bending radius (dynamic)	12 × Outer diameter
No. of bending cycles (C-track)	3 Mio. @ 25 °C
Traversing distance (C-track)	5 m @ 25 °C
Travel speed (C-track)	3.3 m/s @ 25 °C
Acceleration (C-track)	2 m/s ² @ 25 °C
No. of torsion cycles	1 Mio. @ 25 °C
Torsion stress	± 180 °/m
Torsion speed	35 cycles/min