

M12 male 0° / M12 male 0° X-cod. shielded

PUR 4x2xAWG26/7 shielded gn UL/CSA 1.5m

Art.No.: 7000-51001-7900150

Weight: 0.095 kg

Country of origin: CZ

Model designation: MSXAL0-XA-08D790_1.5-ZS

Product fulfills requirements according to UN/ECE R118

Ethernet CAT6A

Male straight – male straight

M12 – M12, 8-pole

X-coded

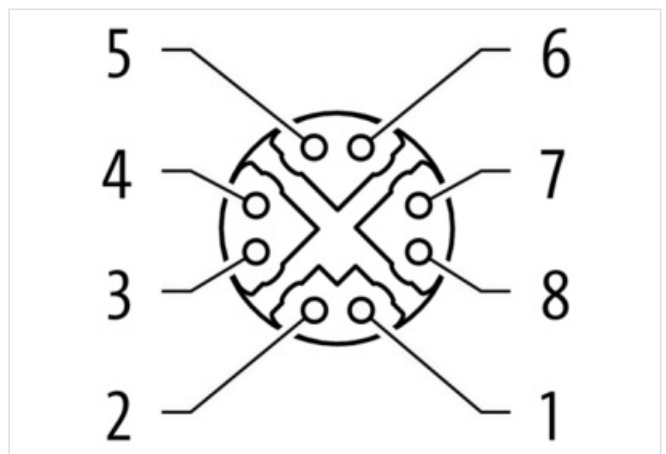
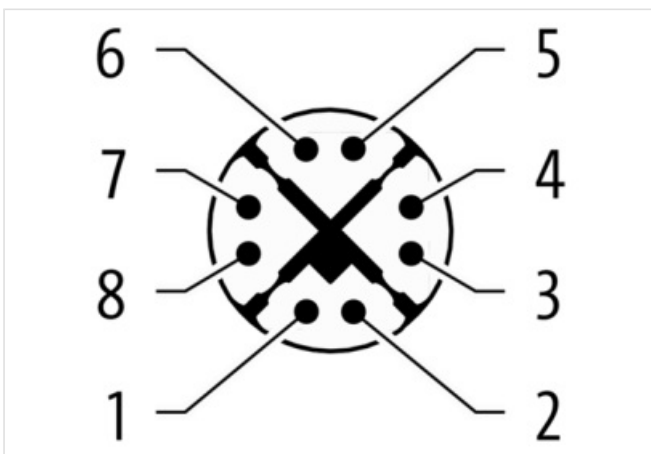
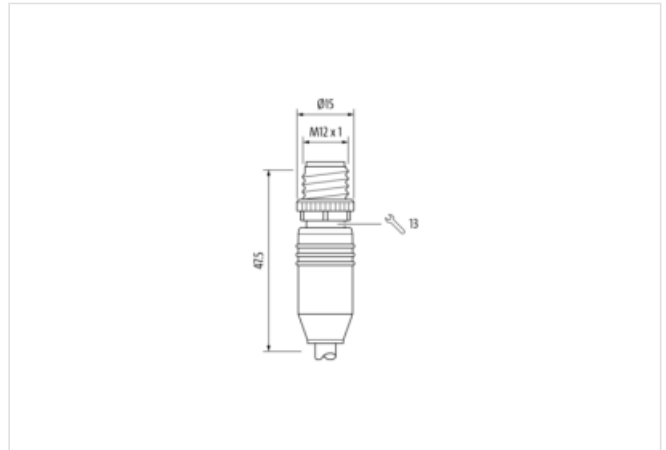
Shielded

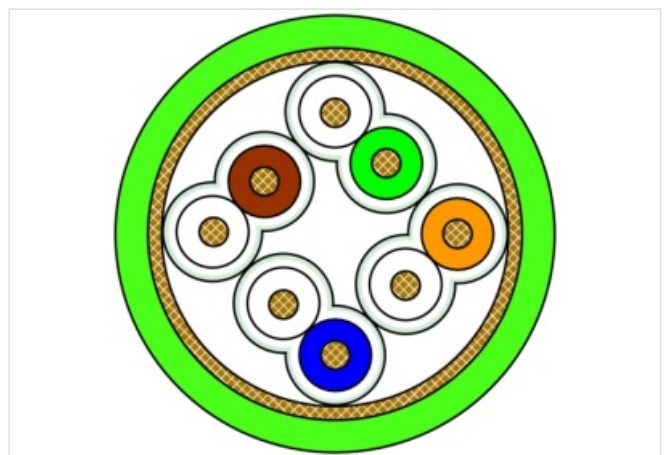
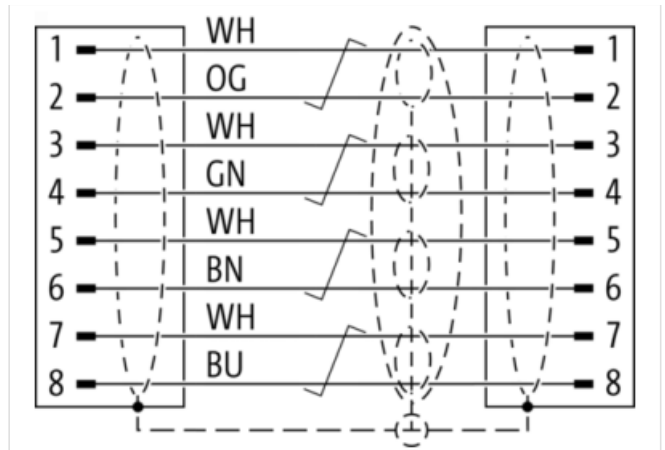
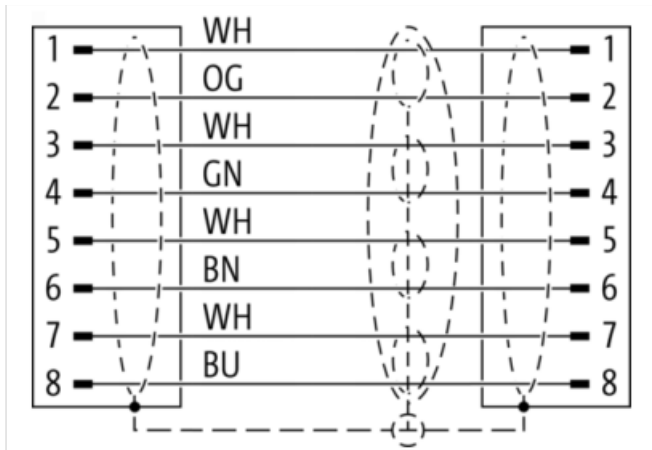
Transmission properties with channel transmission up to 50 m

Further cable lengths on request.

Plastic housings with good resistance against chemicals and oils.

The resistance to aggressive media should be individually tested for your application. Further details on request.

[Link to Product](#)**Illustration**



Product may differ from Image



Cable length	1,50 m
Side 1	
Family construction form	M12
No. of poles	8
Coding	X
Gender	male
Mounting method	inserted, screwed
Threaded hole	M12 x 1
Tightening torque	0,6 Nm
Width across flats	SW13
Cable outlet	straight
Material	PUR
Material contact	Copper alloy
Coating contact	gold plated
Degree of protection (EN IEC 60529)	IP67, IP65
Side 2	
Family construction form	M12
No. of poles	8

The information in this Product-PDF has been compiled with the utmost care. Liability for the correctness completeness and topicality of the information is restricted to gross negligence. Version: 2026-05-06

Coding	X
Gender	male
Mounting method	inserted, screwed
Threaded hole	M12 x 1
Tightening torque	0,6 Nm
Width across flats	SW13
Cable outlet	straight
Material	PUR
Material contact	Copper alloy
Coating contact	gold plated
Degree of protection (EN IEC 60529)	IP67, IP65

Commercial data

URL Webshop	https://shop.murrelektronik.com/7000-51001-7900150
GTIN	4048879495165
Customs tariff number	85444290
ECLASS-6.0	27061801
ECLASS-6.1	27060307
ECLASS-7.0	27060307
ECLASS-7.1	27060307
ECLASS-8.0	27060307
ECLASS-8.1	27060307
ECLASS-9.0	27060307
ECLASS-9.1	27060307
ECLASS-10.0.1	27060307
ECLASS-10.1	27060307
ECLASS-11.0	27060307
ECLASS-11.1	27060307
ECLASS-12.0	27060307
ECLASS-13.0	27060307
ECLASS-14.0	27060307
ETIM-5.0	EC002599
ETIM-6.0	EC002599
ETIM-7.0	EC002599
ETIM-8.0	EC002599
customs tariff number	85444290
EAN	4048879495165
Packaging unit	1

Electrical data | Supply

Operating voltage AC max.	50 V
Operating voltage DC max.	60 V
Current operating per contact max.	0,5 A

Industrial Communication

Data transmission rate max.	10 Gbit/s
Transfer parameters	CAT6, Class EA (ISO/IEC 11801:2002), (EN 50173-1)

Diagnostics

Status indication LED	No
-----------------------	----

Device protection | Electrical

Additional condition protection degree	inserted, screwed
Pollution Degree	3
Rated surge voltage	1,5 kV
Material group (IEC 60664-1)	I

Mechanical data

Contour for corrugated hose without

Mechanical data | Material data

Screw connection Zinc die-casting
Coating of fitting nickel plated

Mechanical data | Mounting data

Mounting method inserted, screwed, Shaking protection

Environmental characteristics | Climatic

Operating temperature min. -30 °C
Operating temperature max. 85 °C
Additional condition temperature range depending on cable quality

Important installation notes

Note on bending radius **Attention:** Observe the permissible bending radii when laying cables, as the IP protection class can be endangered by excessive bending forces.
Note on strain relief Protect the connectors by suitable measures from mechanical loads, e.g. by the usage of cable ties.

Conformity

Product standard EN/IEC 61076-2-109 (M12)

Installation | Cable

Cable identification 790
Function cable Data
Cable weight 48 g/m
UL AWM Style 20549 / 10532
Stranding 4 × 2 wires stranded
Stranding (type 2) 1 × 4 stranding combinations stranded
Cable shielding (type) copper braid, tinned
Cable shielding (coverage) 65 %
Pair shielding (type) Metal foil
Banding Foil
Wire arrangement (WH, BN), (WH, GN), (WH, OG), (WH, BU)
Shield shielded
Material wire insulation PE
Amount wires 8
Outer diameter insulation 1.05 mm - 0.02 mm
Conductor crosssection (wire) 26 AWG
Material conductor wire Stranded copper wire, bare
Core construction (wire) 7
Ingredient freeness wire insulation lead-free, CFC-free, halogen-free
Material jacket PUR
Outer-diameter (jacket) 6.4 mm ± 5 %
Jacket Color green / RAL 6018
Freedom from ingredients (jacket) lead-free, CFC-free, halogen-free
Cable shielding (type) copper braid, tinned
Cable shielding (coverage) 65 %
Pair shielding (type) Metal foil
Conductor resistance (wire) 140 Ω/km @ 20 °C
Nominal voltage max. 125 V
Withstand voltage (wire - wire) 2 kV @ 60 s
Withstand voltage (wire - jacket) 2 kV @ 60 s
Withstand voltage (wire - shield) 2 kV @ 60 s
Current load capacity max. (wire) 2 A
Current load capacity (standard) to DIN VDE 0298-4
Electrical capacity line constant (wire - wire) 44.000 pF/km
Isolation resistance 5.000 MΩ × km

Characteristic impedance	100 Ω \pm 15 % @ 15 MHz
Cable type	Industrial Ethernet CAT7
Operating temperature (static)	-40 °C ... 80 °C
Operating temperature (dynamic)	-30 °C ... 70 °C
Flame resistance	UL 1581 § 1090, UL 1581 § 1100, IEC 60332-1-2
Oil resistance	IEC 60811-404, IRM 902
Ozone resistance	EN 50396
Other resistances	resistant to microbes, MUD-resistant (NEK 606)
Notes	application-related testing
Bending radius (fixed)	8 x Outer diameter
Bending radius (dynamic)	10 x Outer diameter