

**M12 male 0° / M12 male 0° X-cod. shielded**

PUR 4x2xAWG26/7 shielded gn UL/CSA 15m

Art.No.: 7000-51001-7901500

Weight: 0.72

Country of origin: CZ

Model designation: MSXAL0-XA-08D790\_15.0-ZS

**Advantages of our connectors:**

Our connectors are versatile and specially optimised for industrial environments. All connectors are 100% tested during the manufacturing process to ensure the highest quality and reliability.

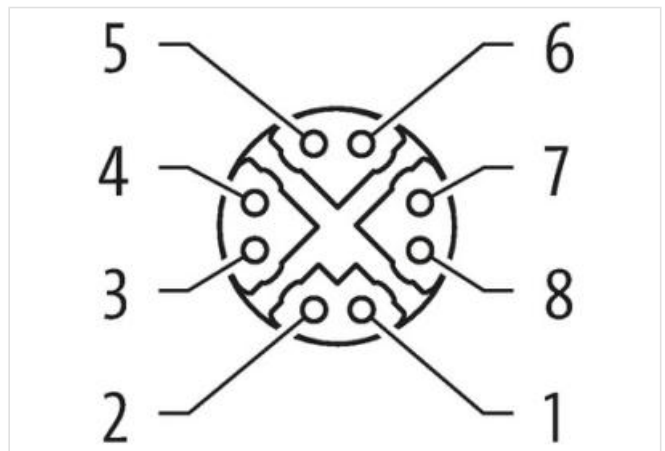
The contacts are gold-plated, which ensures optimum conductivity. Thanks to the high degree of protection, the connectors are ideal for demanding industrial environments. They are also vibration-resistant - this is ensured by the union nut with vibration protection.

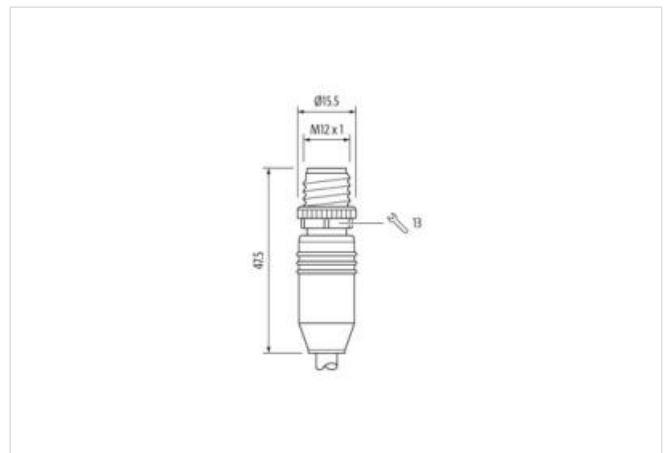
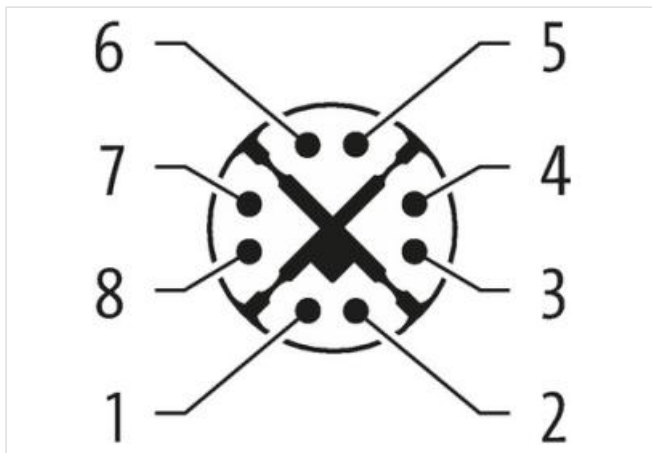
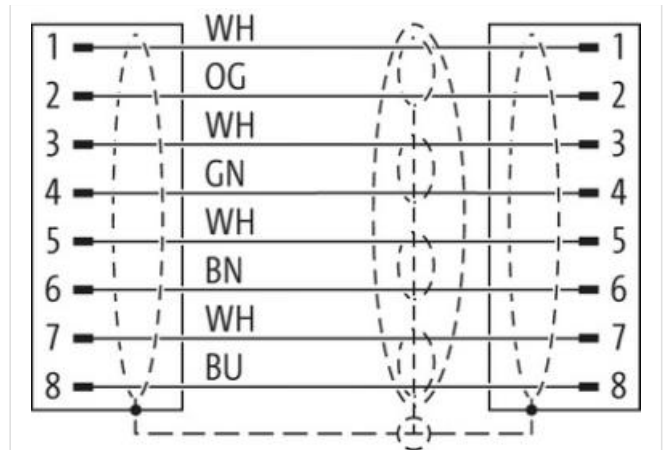
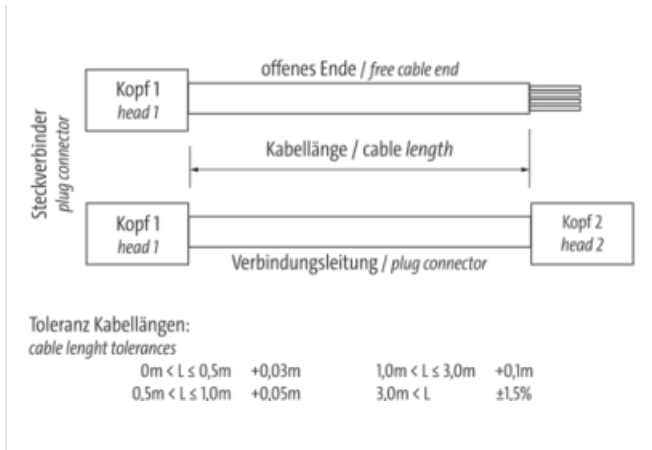
Our connectors are resistant to oils and cooling lubricants, but resistance to aggressive media should be tested for each specific application. Different cable lengths available [on request](#)

If you are missing technical information? Please feel free to use our [dictionary](#) to find more technical details.

**Product details:**

**The resistance to aggressive media should be individually tested for your application. Further details on request.**

**Ethernet CAT6A****Male straight – male straight****M12 – M12, 8-pole****Product fulfills requirements according to UN/ECE R118****X-coded****shielded****Transmission properties with channel transmission up to 50 m****Further cable lengths on request.****Plastic housings with good resistance against chemicals and oils.**[Link to Product](#)**Illustration**



Product may differ from Image



<b>Cable length</b>	15 m
<b>Side 1</b>	
<b>Tightening torque</b>	0,6 Nm
<b>Mounting method</b>	inserted, screwed
<b>Coating contact</b>	gold plated
<b>Family construction form</b>	M12
<b>Thread</b>	M12 x 1
<b>Gender</b>	male
<b>Cable outlet</b>	straight
<b>Coding</b>	X
<b>Material contact</b>	Copper alloy
<b>Material</b>	PUR
<b>No. of poles</b>	8
<b>Width across flats</b>	SW13
<b>Degree of protection (EN IEC 60529)</b>	IP65, IP67
<b>Side 2</b>	
<b>Tightening torque</b>	0,6 Nm
<b>Mounting method</b>	inserted, screwed

The information in this Product-PDF has been compiled with the utmost care. Liability for the correctness completeness and topicality of the information is restricted to gross negligence. Version: 2025-04-06

Coating contact	gold plated
Family construction form	M12
Thread	M12 x 1
Gender	male
Cable outlet	straight
Coding	X
Material contact	Copper alloy
Material	PUR
No. of poles	8
Width across flats	SW13
Degree of protection (EN IEC 60529)	IP65, IP67
<b>Commercial data</b>	
ECLASS-6.0	27061801
ECLASS-6.1	27060307
ECLASS-7.0	27060307
ECLASS-8.0	27060307
ECLASS-9.0	27060307
ECLASS-10.1	27060307
ECLASS-11.1	27060307
ECLASS-12.0	27060307
ETIM-5.0	EC002599
customs tariff number	85444290
customs tariff number	85444290
customs tariff number	85444290
GTIN	4048879556071
GTIN	4048879556071
GTIN	4048879556071
Packaging unit	1
Packaging unit	1
Packaging unit	1
<b>Electrical data   Supply</b>	
Operating voltage AC max.	50 V
Operating voltage DC max.	60 V
Operating voltage AC (UL-listed)	30 V
Operating voltage DC (UL-listed)	30 V
Current operating per contact max.	0,5 A
<b>Industrial communication</b>	
Transfer parameters	CAT6, Class EA (ISO/IEC 11801:2002), (EN 50173-1)
Data transmission rate max.	10 GBit/s
<b>Diagnostics</b>	
Status indication LED	no
<b>Device protection   Electrical</b>	
Degree of protection (EN IEC 60529)	IP65, IP67
Additional condition protection degree	inserted, screwed
Pollution Degree	3
Rated surge voltage	1,5 kV
Material group (IEC 60664-1)	I
<b>Mechanical data</b>	
Contour for corrugated hose	without
<b>Mechanical data   Material data</b>	
Coating locking	Nickeled

Locking material	Zinc die-casting
<b>Mechanical data   Mounting data</b>	
Mounting method	inserted, screwed, Shaking protection
<b>Environmental characteristics   Climatic</b>	
Operating temperature min.	-25 °C
Operating temperature max.	85 °C
Additional condition temperature range	depending on cable quality
<b>Important installation notes</b>	
Note on strain relief	Protect the connectors by suitable measures from mechanical loads, e.g. by the usage of cable ties.
Note on bending radius	Attention: Observe the permissible bending radii when laying cables, as the IP protection class can be endangered by excessive bending forces.
<b>Conformity</b>	
Product standard	DIN EN 61076-2-109 (M12)
<b>Installation   Cable</b>	
wire arrangement	(white, orange), (white, blue), (white, brown), (white, green)
Cable identification	790
Jacket Color	green
Type of Certificate	cURus
Amount stranding	4
Stranding	2 wires twisted
Amount stranding (type 2)	1
Stranding (type 2)	4 Stranded joints twisted
Cable shielding (type)	copper braid, tinned
Cable shielding (coverage)	65 %
Pair shielding (type)	Metal foil
Banding	Foil
wire arrangement	(white, orange), (white, blue), (white, brown), (white, green)
Cable weight	52,8 g/m
Material jacket	PUR
Shore hardness jacket	89 Shore A
Freedom from ingredients (jacket)	lead-free, CFC-free, halogen-free
Outer-diameter (jacket)	6,4 mm
Tolerance outer diameter (sheath)	± 5 %
Material wire insulation	PE
Amount wires	8
Outer diameter insulation	1,05 mm
Outer diameter tolerance core insulation	± 5 %
Shore hardness wire insulation	65 Shore D
Ingredient freeness wire insulation	lead-free, CFC-free, halogen-free
Amount strands (wire)	7
Diameter of single wires	26 AWG
Conductor crosssection (wire)	26 AWG
Material conductor wire	Stranded copper wire, bare
Nominal voltage AC max.	125 V
Current load capacity (standard)	to DIN VDE 0298-4
Current load capacity min. wire	2 A
Electrical resistance line constant wire	140 Ω/km @ 20 °C
AC withstand voltage (wire - wire)	2 kV @ 60 s
Electrical capacity line constant (wire - wire)	44000 pF/km
Power frequency withstand voltage (wire - jacket)	2 kV @ 60 s
AC withstand voltage (wire - shield)	2 kV @ 60 s
Isolation resistance	5000 MΩ × km

<b>Min. operating temperature (static)</b>	<b>-40 °C</b>
<b>Max. operating temperature (fixed)</b>	<b>80 °C</b>
<b>Operating temperature min. (dynamic)</b>	<b>-30 °C</b>
<b>Operating temperature max. (dynamic)</b>	<b>70 °C</b>
<b>Flame resistance</b>	<b>IEC 60332-2-2   UL 1581 § 1100 FT2   UL 1581 § 1090</b>
<b>chemical resistance</b>	<b>Good, application-related testing</b>
<b>Gasoline resistance</b>	<b>Good, application-related testing</b>
<b>Oil resistance</b>	<b>Good, application-related testing   DIN EN 60811-404</b>
<b>Bending radius (fixed)</b>	<b>8 x Outer diameter</b>
<b>Bending radius (dynamic)</b>	<b>10 x Outer diameter</b>