

**M12 male 0° X-cod. / RJ45 male 0° shielded**

PUR 4x2xAWG26 shielded gn UL/CSA 3m

Art.No.: 7000-51101-7900300

Weight: 0.171 kg

Country of origin: CZ

Model designation: MSXAL0-RA-08D790\_3.0-ZS

Product fulfills requirements according to UN/ECE R118

Male straight – male straight

M12 – RJ45, 8-pole

X-coded

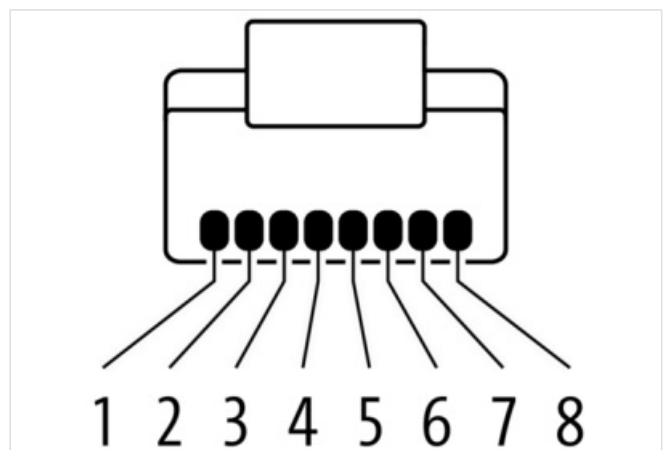
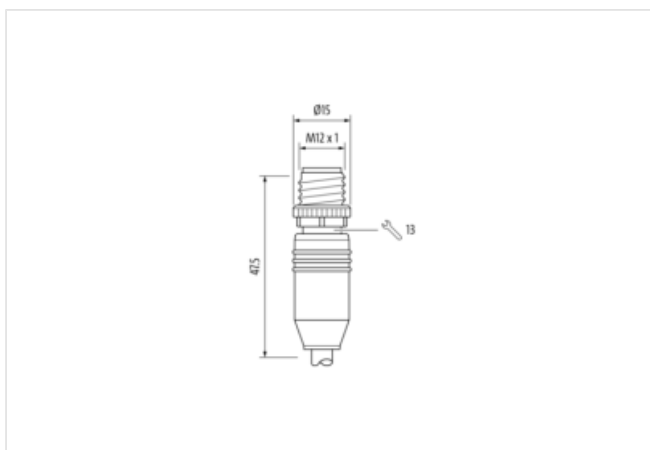
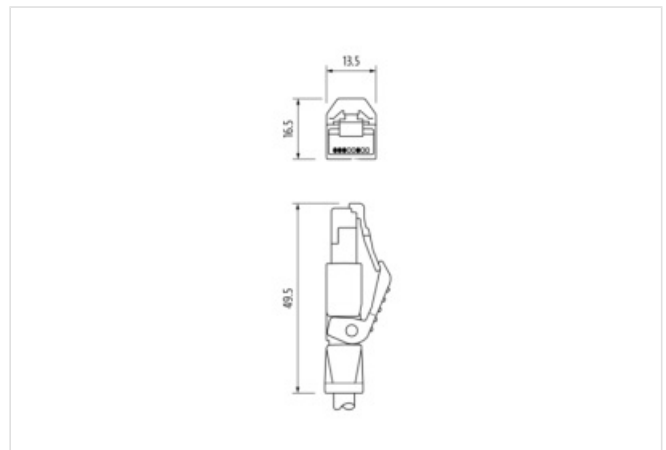
Shielded

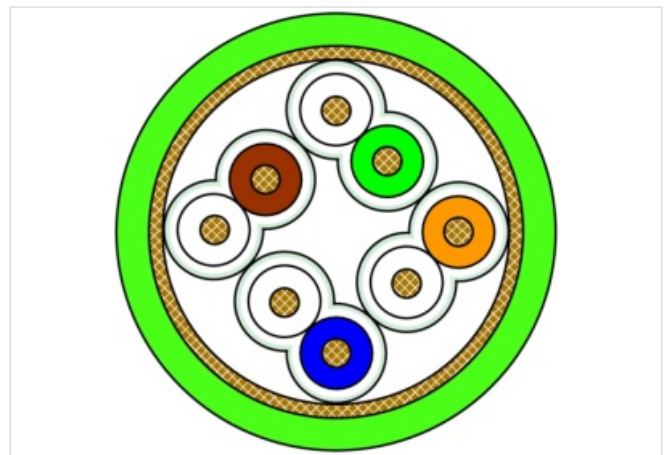
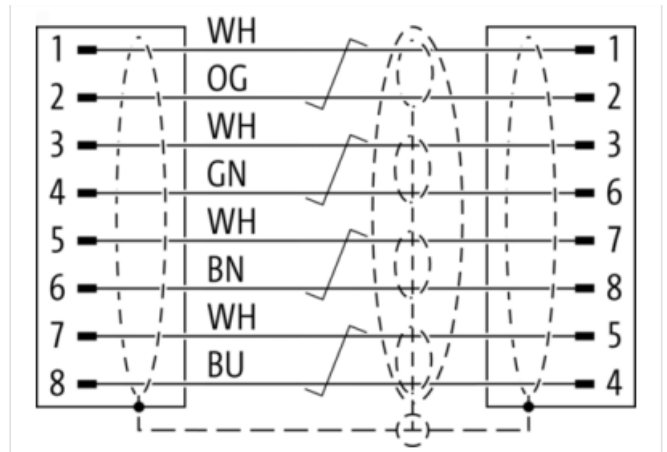
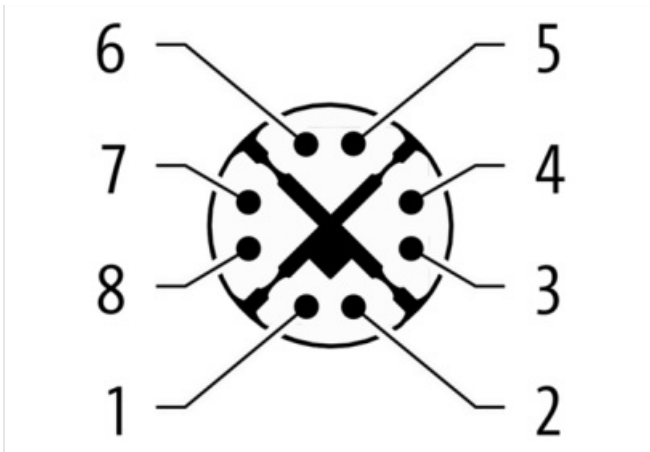
Transmission properties with channel transmission up to 50 m

Further cable lengths on request.

Plastic housings with good resistance against chemicals and oils.

The resistance to aggressive media should be individually tested for your application. Further details on request.

[Link to Product](#)**Illustration**



Product may differ from Image



Cable length 3,00 m

**Side 1**

Family construction form	M12
No. of poles	8
Coding	X
Gender	male
Mounting method	pluggable, screwed
Threaded hole	M12 x 1
Tightening torque	0,6 Nm
Width across flats	SW13
Cable outlet	straight
Material	PUR
Material contact	Copper alloy
Coating contact	gold plated
Degree of protection (EN IEC 60529)	IP67, IP66K

**Side 2**

Family construction form	RJ45
No. of poles	8

The information in this Product-PDF has been compiled with the utmost care. Liability for the correctness completeness and topicality of the information is restricted to gross negligence. Version: 2026-05-06

Gender	male
Mounting method	pluggable
Cable outlet	straight
Material	PUR
Degree of protection (EN IEC 60529)	IP20

**Commercial data**

URL Webshop	<a href="https://shop.murrelektronik.com/7000-51101-7900300">https://shop.murrelektronik.com/7000-51101-7900300</a>
GTIN	4048879642958
Customs tariff number	85444290
ECLASS-6.0	27061801
ECLASS-6.1	27060307
ECLASS-7.0	27060307
ECLASS-7.1	27060307
ECLASS-8.0	27060307
ECLASS-8.1	27060307
ECLASS-9.0	27060307
ECLASS-9.1	27060307
ECLASS-10.0.1	27060307
ECLASS-10.1	27060307
ECLASS-11.0	27060307
ECLASS-11.1	27060307
ECLASS-12.0	27060307
ECLASS-13.0	27060307
ECLASS-14.0	27060307
ETIM-5.0	EC002599
ETIM-6.0	EC002599
ETIM-7.0	EC002599
ETIM-8.0	EC002599
customs tariff number	85444290
EAN	4048879642958
Packaging unit	1

**Electrical data | Supply**

Operating voltage DC max.	60 V
Current operating per contact max.	0,5 A

**Industrial Communication**

Data transmission rate max.	10 Gbit/s
Transfer parameters	CAT6, Class EA (ISO/IEC 11801:2002), (EN 50173-1)

**Diagnostics**

Status indication LED	No
-----------------------	----

**Device protection | Electrical**

Additional condition protection degree	inserted, screwed
Pollution Degree	3
Rated surge voltage	1 kV
Material group (IEC 60664-1)	I

**Mechanical data**

Contour for corrugated hose	without
-----------------------------	---------

**Mechanical data | Material data**

Locking material	Zinc die-casting
Coating locking	Nickeled

**Mechanical data | Mounting data**

Mounting method	inserted, screwed, Shaking protection
-----------------	---------------------------------------

Environmental characteristics   Climatic	
Operating temperature min.	-30 °C
Operating temperature max.	85 °C
Additional condition temperature range	depending on cable quality
Important installation notes	
Note on bending radius	<b>Attention:</b> Observe the permissible bending radii when laying cables, as the IP protection class can be endangered by excessive bending forces.
Note on strain relief	Protect the connectors by suitable measures from mechanical loads, e.g. by the usage of cable ties.
Conformity	
Product standard	EN/IEC 61076-2-109 (M12)
Installation   Cable	
Cable identification	790
Function cable	Data
Cable weight	48 g/m
UL AWM Style	20549 / 10532
Stranding	4 × 2 wires stranded
Stranding (type 2)	1 × 4 stranding combinations stranded
Cable shielding (type)	copper braid, tinned
Cable shielding (coverage)	65 %
Pair shielding (type)	Metal foil
Banding	Foil
Wire arrangement	(WH, BN), (WH, GN), (WH, OG), (WH, BU)
Shield	shielded
Material wire insulation	PE
Amount wires	8
Outer diameter insulation	1.05 mm - 0.02 mm
Conductor crosssection (wire)	26 AWG
Material conductor wire	Stranded copper wire, bare
Core construction (wire)	7
Ingredient freeness wire insulation	lead-free, CFC-free, halogen-free
Material jacket	PUR
Outer-diameter (jacket)	6.4 mm ± 5 %
Jacket Color	green / RAL 6018
Freedom from ingredients (jacket)	lead-free, CFC-free, halogen-free
Cable shielding (type)	copper braid, tinned
Cable shielding (coverage)	65 %
Pair shielding (type)	Metal foil
Conductor resistance (wire)	140 Ω/km @ 20 °C
Nominal voltage max.	125 V
Withstand voltage (wire - wire)	2 kV @ 60 s
Withstand voltage (wire - jacket)	2 kV @ 60 s
Withstand voltage (wire - shield)	2 kV @ 60 s
Current load capacity max. (wire)	2 A
Current load capacity (standard)	to DIN VDE 0298-4
Electrical capacity line constant (wire - wire)	44.000 pF/km
Isolation resistance	5.000 MΩ × km
Characteristic impedance	100 Ω ± 15 % @ 15 MHz
Cable type	Industrial Ethernet CAT7
Operating temperature (static)	-40 °C ... 80 °C
Operating temperature (dynamic)	-30 °C ... 70 °C
Flame resistance	UL 1581 § 1090, UL 1581 § 1100, IEC 60332-1-2
Oil resistance	IEC 60811-404, IRM 902
Ozone resistance	EN 50396

The information in this Product-PDF has been compiled with the utmost care.

Liability for the correctness completeness and topicality of the information is restricted to gross negligence. Version: 2026-05-06

Other resistances	resistant to microbes, MUD-resistant (NEK 606)
Notes	application-related testing
Bending radius (fixed)	8 × Outer diameter
Bending radius (dynamic)	10 × Outer diameter