

**M12 male 0° X-cod. / RJ45 male 0° shielded**

PUR 4x2xAWG26 shielded gn UL/CSA 5m

Art.No.: 7000-51101-7900500

Weight: 0.267 kg

Country of origin: CZ

Model designation: MSXAL0-RA-08D790\_5.0-ZS

Product fulfills requirements according to UN/ECE R118

Male straight – male straight

M12 – RJ45, 8-pole

X-coded

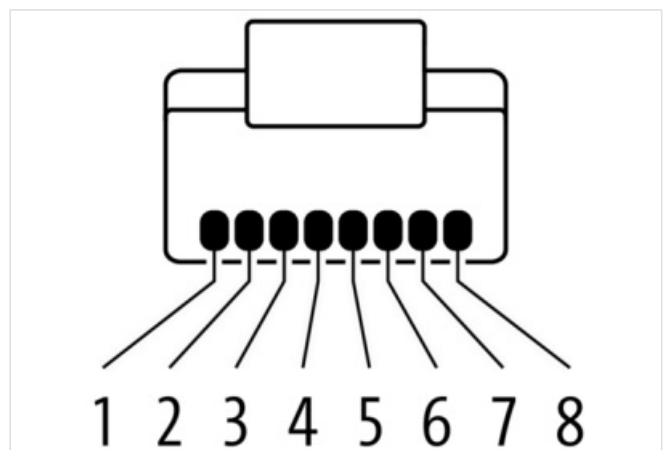
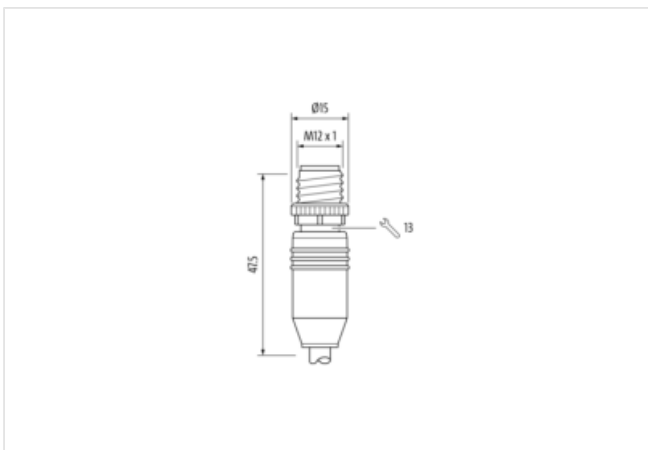
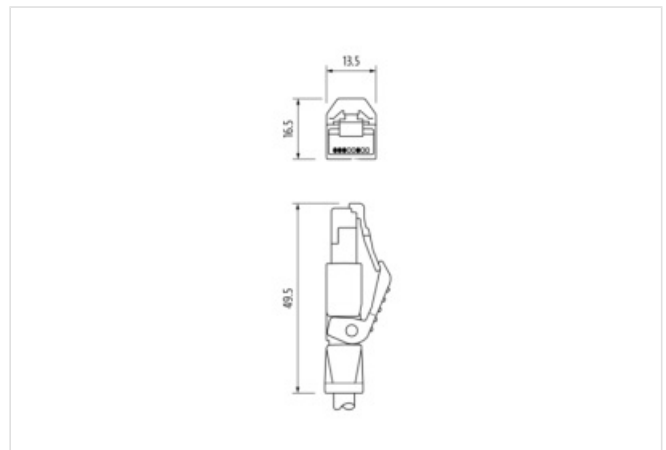
Shielded

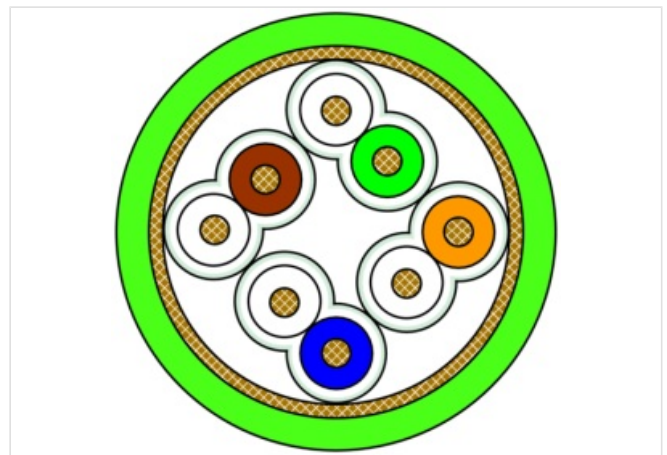
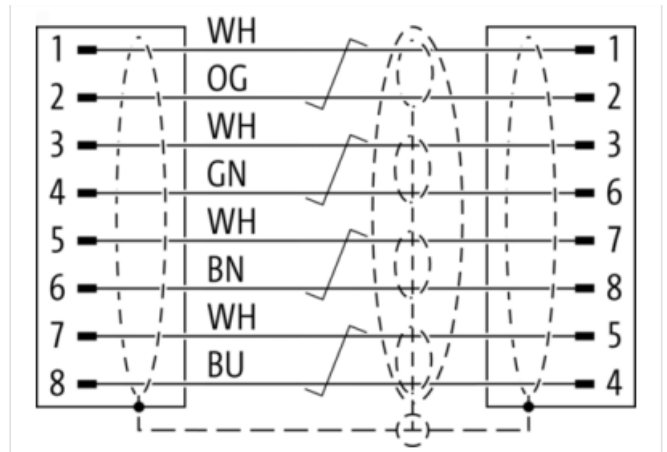
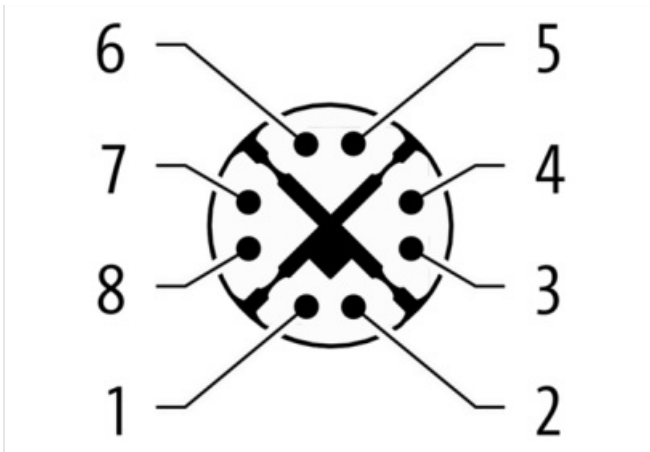
Transmission properties with channel transmission up to 50 m

Further cable lengths on request.

Plastic housings with good resistance against chemicals and oils.

The resistance to aggressive media should be individually tested for your application. Further details on request.

[Link to Product](#)**Illustration**



Product may differ from Image



Cable length 5,00 m

**Side 1**

|                                     |                    |
|-------------------------------------|--------------------|
| Family construction form            | M12                |
| No. of poles                        | 8                  |
| Coding                              | X                  |
| Gender                              | male               |
| Mounting method                     | pluggable, screwed |
| Threaded hole                       | M12 x 1            |
| Tightening torque                   | 0,6 Nm             |
| Width across flats                  | SW13               |
| Cable outlet                        | straight           |
| Material                            | PUR                |
| Material contact                    | Copper alloy       |
| Coating contact                     | gold plated        |
| Degree of protection (EN IEC 60529) | IP67, IP66K        |

**Side 2**

|                          |      |
|--------------------------|------|
| Family construction form | RJ45 |
| No. of poles             | 8    |

The information in this Product-PDF has been compiled with the utmost care. Liability for the correctness completeness and topicality of the information is restricted to gross negligence. Version: 2026-05-05

|                                     |           |
|-------------------------------------|-----------|
| Gender                              | male      |
| Mounting method                     | pluggable |
| Cable outlet                        | straight  |
| Material                            | PUR       |
| Degree of protection (EN IEC 60529) | IP20      |

**Commercial data**

|                       |   |
|-----------------------|---|
| URL Webshop           | <a href="https://shop.murrelektronik.com/7000-51101-7900500">https://shop.murrelektronik.com/7000-51101-7900500</a> |
| GTIN                  | 4048879642965   |
| Customs tariff number | 85444290  |
| ECLASS-6.0            | 27061801  |
| ECLASS-6.1            | 27060307  |
| ECLASS-7.0            | 27060307  |
| ECLASS-7.1            | 27060307  |
| ECLASS-8.0            | 27060307  |
| ECLASS-8.1            | 27060307  |
| ECLASS-9.0            | 27060307  |
| ECLASS-9.1            | 27060307  |
| ECLASS-10.0.1         | 27060307  |
| ECLASS-10.1           | 27060307  |
| ECLASS-11.0           | 27060307  |
| ECLASS-11.1           | 27060307  |
| ECLASS-12.0           | 27060307  |
| ECLASS-13.0           | 27060307  |
| ECLASS-14.0           | 27060307  |
| ETIM-5.0              | EC002599  |
| ETIM-6.0              | EC002599  |
| ETIM-7.0              | EC002599  |
| ETIM-8.0              | EC002599  |
| customs tariff number | 85444290  |
| EAN                   | 4048879642965   |
| Packaging unit        | 1   |

**Electrical data | Supply**

|                                    |       |
|------------------------------------|-------|
| Operating voltage DC max.          | 60 V  |
| Current operating per contact max. | 0,5 A |

**Industrial Communication**

|                             |   |
|-----------------------------|---|
| Data transmission rate max. | 10 Gbit/s   |
| Transfer parameters         | CAT6, Class EA (ISO/IEC 11801:2002), (EN 50173-1) |

**Diagnostics**

|                       |    |
|-----------------------|----|
| Status indication LED | No |
|-----------------------|----|

**Device protection | Electrical**

|  |                   |
|--|-------------------|
| Additional condition protection degree | inserted, screwed |
| Pollution Degree                       | 3                 |
| Rated surge voltage                    | 1 kV              |
| Material group (IEC 60664-1)           | I                 |

**Mechanical data**

|                             |         |
|-----------------------------|---------|
| Contour for corrugated hose | without |
|-----------------------------|---------|

**Mechanical data | Material data**

|                  |                  |
|------------------|------------------|
| Locking material | Zinc die-casting |
| Coating locking  | Nickeled         |

**Mechanical data | Mounting data**

|                 |                                       |
|-----------------|---------------------------------------|
| Mounting method | inserted, screwed, Shaking protection |
|-----------------|---------------------------------------|

**Environmental characteristics | Climatic**

|  |                            |
|--|----------------------------|
| Operating temperature min.             | -30 °C                     |
| Operating temperature max.             | 85 °C                      |
| Additional condition temperature range | depending on cable quality |

**Important installation notes**

|                        |   |
|------------------------|---|
| Note on bending radius | <b>Attention:</b> Observe the permissible bending radii when laying cables, as the IP protection class can be endangered by excessive bending forces. |
| Note on strain relief  | Protect the connectors by suitable measures from mechanical loads, e.g. by the usage of cable ties.   |

**Conformity**

|                  |                          |
|------------------|--------------------------|
| Product standard | EN/IEC 61076-2-109 (M12) |
|------------------|--------------------------|

**Installation | Cable**

|   |   |
|---|---|
| Cable identification                            | 790   |
| Function cable                                  | Data  |
| Cable weight                                    | 48 g/m  |
| UL AWM Style                                    | 20549 / 10532                                 |
| Stranding                                       | 4 × 2 wires stranded                          |
| Stranding (type 2)                              | 1 × 4 stranding combinations stranded         |
| Cable shielding (type)                          | copper braid, tinned                          |
| Cable shielding (coverage)                      | 65 %  |
| Pair shielding (type)                           | Metal foil                                    |
| Banding   | Foil  |
| Wire arrangement                                | (WH, BN), (WH, GN), (WH, OG), (WH, BU)        |
| Shield  | shielded                                      |
| Material wire insulation                        | PE  |
| Amount wires                                    | 8   |
| Outer diameter insulation                       | 1.05 mm - 0.02 mm                             |
| Conductor crosssection (wire)                   | 26 AWG  |
| Material conductor wire                         | Stranded copper wire, bare                    |
| Core construction (wire)                        | 7   |
| Ingredient freeness wire insulation             | lead-free, CFC-free, halogen-free             |
| Material jacket                                 | PUR   |
| Outer-diameter (jacket)                         | 6.4 mm ± 5 %                                  |
| Jacket Color                                    | green / RAL 6018                              |
| Freedom from ingredients (jacket)               | lead-free, CFC-free, halogen-free             |
| Cable shielding (type)                          | copper braid, tinned                          |
| Cable shielding (coverage)                      | 65 %  |
| Pair shielding (type)                           | Metal foil                                    |
| Conductor resistance (wire)                     | 140 Ω/km @ 20 °C                              |
| Nominal voltage max.                            | 125 V   |
| Withstand voltage (wire - wire)                 | 2 kV @ 60 s                                   |
| Withstand voltage (wire - jacket)               | 2 kV @ 60 s                                   |
| Withstand voltage (wire - shield)               | 2 kV @ 60 s                                   |
| Current load capacity max. (wire)               | 2 A   |
| Current load capacity (standard)                | to DIN VDE 0298-4                             |
| Electrical capacity line constant (wire - wire) | 44.000 pF/km                                  |
| Isolation resistance                            | 5.000 MΩ × km                                 |
| Characteristic impedance                        | 100 Ω ± 15 % @ 15 MHz                         |
| Cable type                                      | Industrial Ethernet CAT7                      |
| Operating temperature (static)                  | -40 °C ... 80 °C                              |
| Operating temperature (dynamic)                 | -30 °C ... 70 °C                              |
| Flame resistance                                | UL 1581 § 1090, UL 1581 § 1100, IEC 60332-1-2 |
| Oil resistance                                  | IEC 60811-404, IRM 902                        |
| Ozone resistance                                | EN 50396                                      |

|                          |  |
|--------------------------|--|
| Other resistances        | resistant to microbes, MUD-resistant (NEK 606) |
| Notes                    | application-related testing                    |
| Bending radius (fixed)   | 8 × Outer diameter                             |
| Bending radius (dynamic) | 10 × Outer diameter                            |