

**Adaptor M12 female 0° X-cod. / RJ45 0°**

8-pol., shielded, CAT6A

Art.No.: 7000-51531-0000000

Weight: 0.048

Country of origin: RO

Model designation: Adapter M12 X-Cod. auf RJ45 gerade

Adapter

M12 – RJ45

Female straight – female straight

8-pole

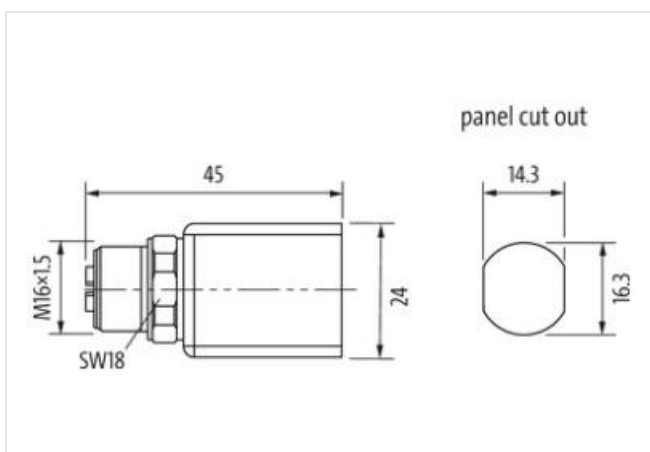
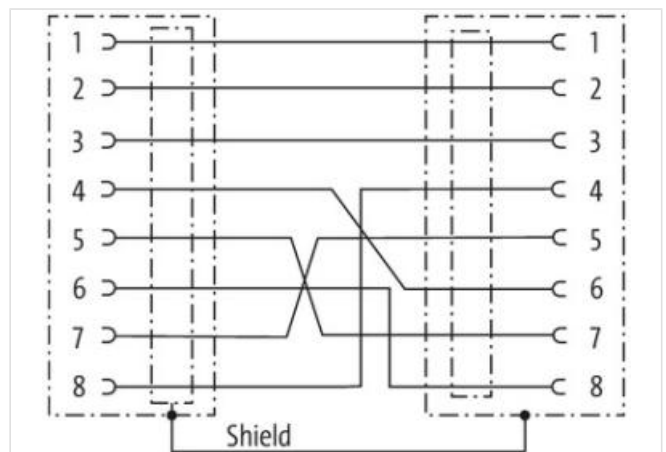
X-coded

Gigabit

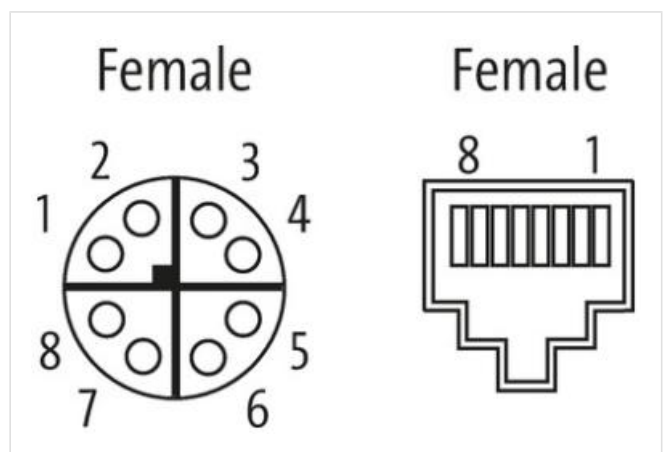
Ethernet CAT6A

shielded

Cap nut

[Link to Product](#)**Illustration**

Product may differ from Image

**Side 1**

Tightening torque	0,6 Nm
Mounting method	inserted, screwed
Family construction form	M12

Coding	X
No. of poles	8
Width across flats	SW18

**Side 2**

Mounting method	inserted
Family construction form	RJ45
No. of poles	8

**Commercial data**

ECLASS-6.0	27143423
ECLASS-6.1	27279221
ECLASS-7.0	27440104
ECLASS-8.0	27440104
ECLASS-9.0	27440106
ECLASS-10.1	27440106
ECLASS-11.1	27440106
ECLASS-12.0	27440106
ETIM-5.0	EC002640
customs tariff number	85366990
customs tariff number	85366990
GTIN	4048879699402
GTIN	4048879699402
Packaging unit	1
Packaging unit	1

**Electrical data | Supply**

Operating current max.	1,75 A
------------------------	--------

**Industrial communication**

Supported protocol	Ethernet
Transfer parameters	CAT6A

**Diagnostics**

Status indication LED	no
-----------------------	----

**Installation | Connection**

Width across flats	SW18
--------------------	------

**Device protection**

Shielded	yes
----------	-----

**Important installation notes**

Note on strain relief	Protect the connectors by suitable measures from mechanical loads, e.g. by the usage of cable ties.
Note on bending radius	<b>Attention:</b> Observe the permissible bending radii when laying cables, as the IP protection class can be endangered by excessive bending forces.