

MSUD double valve A-18mm with cable

PVC 4x0.75 ye 5m

Art.No.: 7000-58041-0170500

Weight: 0.423 kg

Country of origin: CZ

Model designation: MSKL3-016_200-KL3-017_5.0

Form A (18 mm)

24 V AC $\pm 20\%$ / DC $\pm 25\%$

LED and suppression

Connection cable L = 200 mm

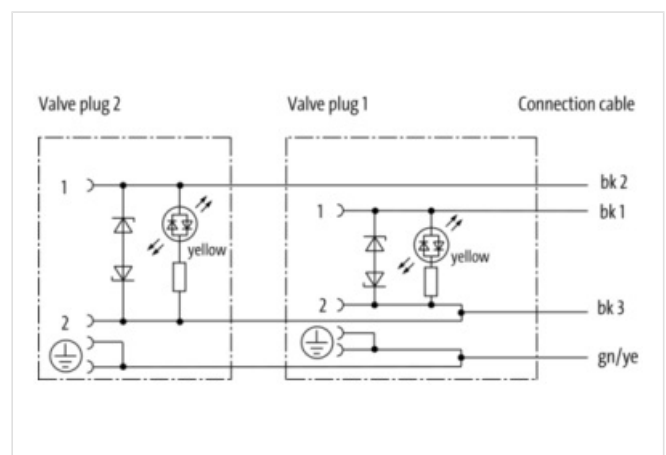
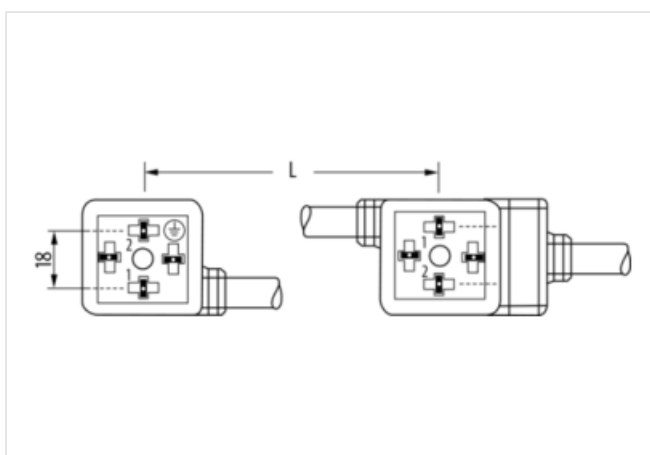
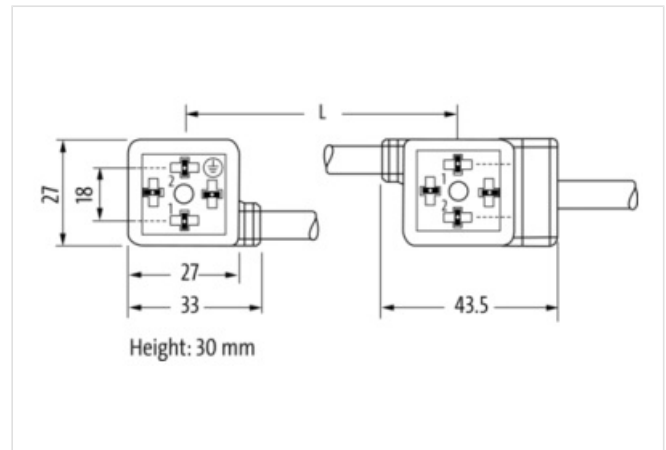
Further cable lengths on request.

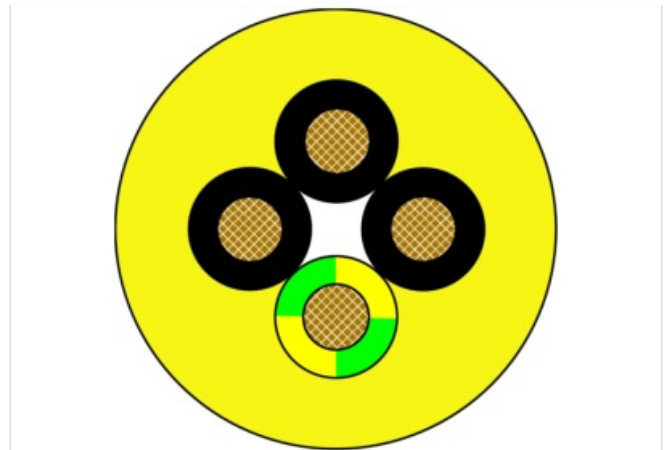
Plastic housings with good resistance against chemicals and oils.

The resistance to aggressive media should be individually tested for your application. Further details on request.

Link to Product

Illustration





Product may differ from Image



Cable length 5,00 m

Side 1

Threaded hole M3x31
Tightening torque 0,4 Nm

Side 2

Threaded hole M3x31
Tightening torque 0,4 Nm

Commercial data

URL Webshop	https://shop.murrelektronik.com/7000-58041-0170500
GTIN	4048879137171
Customs tariff number	85444290
ECLASS-6.0	27279218
ECLASS-6.1	27279218
ECLASS-7.0	27279218
ECLASS-7.1	27279218
ECLASS-8.0	27279218
ECLASS-8.1	27279218
ECLASS-9.0	27060312
ECLASS-9.1	27060312
ECLASS-10.0.1	27060312
ECLASS-10.1	27060312
ECLASS-11.0	27060312
ECLASS-11.1	27060312
ECLASS-12.0	27060312
ECLASS-13.0	27060312
ECLASS-14.0	27060312
ETIM-5.0	EC001855
ETIM-6.0	EC001855
ETIM-7.0	EC001855
ETIM-8.0	EC001855
customs tariff number	85444290
EAN	4048879137171

Packaging unit 1

Electrical data

Drop-out delay time max. 20 ms

Electrical data | Supply

Operating voltage AC 24 V

Operating voltage AC min. 19,2 V

Operating voltage AC max. 28,8 V

Operating voltage DC 24 V

Operating voltage DC min. 18 V

Operating voltage DC max. 30 V

Current operating per contact max. 4 A

Cut-off peak voltage max. 55 V

Device protection | Electrical

Degree of protection (EN IEC 60529) IP67

Additional condition protection degree inserted, screwed

Rated surge voltage 0,8 kV

Mechanical data | Material data

housing Plastic

Color housing black

Mechanical data | Mounting data

Mounting method inserted, screwed

Environmental characteristics | Climatic

Operating temperature min. -25 °C

Operating temperature max. 85 °C

Additional condition temperature range depending on cable quality

Important installation notes

Note on bending radius **Attention:** Observe the permissible bending radii when laying cables, as the IP protection class can be endangered by excessive bending forces.

Note on strain relief Protect the connectors by suitable measures from mechanical loads, e.g. by the usage of cable ties.

Installation | Cable

Cable identification 017

Cable Type 1

Cable weight 74 g/m

Stranding 1 × 4 wires stranded

Wire arrangement BK 1, BK 2, BK 3, GNYE

Material wire insulation PVC

Amount wires 4

Outer diameter insulation 1.8 mm ± 0.1 mm

Conductor crosssection (wire) 0,75 mm²

Material conductor wire Stranded copper wire, bare

Core construction (wire) 24 × 0.2 mm

Material properties wire insulation good machinability

Ingredient freeness wire insulation lead-free, cadmium-free, CFC-free, silicone-free

Material jacket PVC

Outer-diameter (jacket) 6.5 mm ± 5 %

Jacket Color yellow / RAL 1021

Freedom from ingredients (jacket) lead-free, cadmium-free, CFC-free, silicone-free

Material property (jacket) good machinability

Conductor resistance (wire) 26 Ω/km @ 20 °C

Max. rated voltage (conductor - ground) 300 V

Max. rated voltage (conductor - conductor) 500 V

Withstand voltage (wire - wire)	3 kV @ 60 s
Withstand voltage (wire - jacket)	3 kV @ 60 s
Current load capacity max. (wire)	9,6 A
Current load capacity (standard)	to DIN VDE 0298-4
Operating temperature (static)	-30 °C ... 70 °C
Operating temperature (dynamic)	-5 °C ... 70 °C
Oil resistance	good
Chemical resistance	good
Other resistances	good resistance to gasoline
Notes	application-related testing
Bending radius (fixed)	5 × Outer diameter
Bending radius (dynamic)	10 × Outer diameter