

**RJ45 Professional male 0° IDC**4-pol., 0,14 - 0,34mm<sup>2</sup>, 4,5 - 9mm, shielded, CAT5

Art.No.: 7000-74001-0000000

Weight: 0.025

Country of origin: RO

Model designation: RJ45Professional Stecker ger.4pol. gesch

Ethernet CAT5

Male straight

RJ45, 4-pole

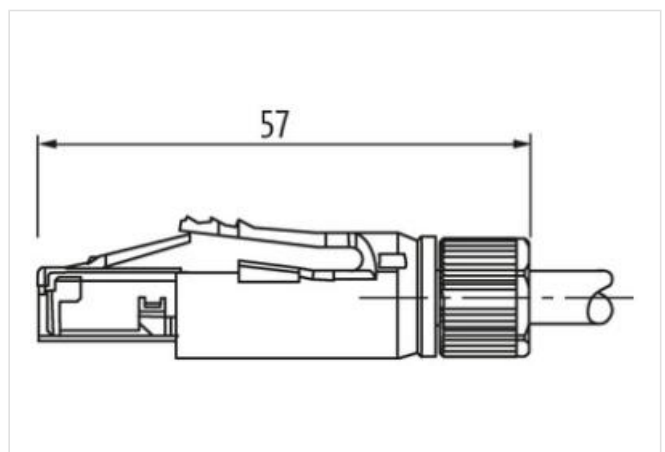
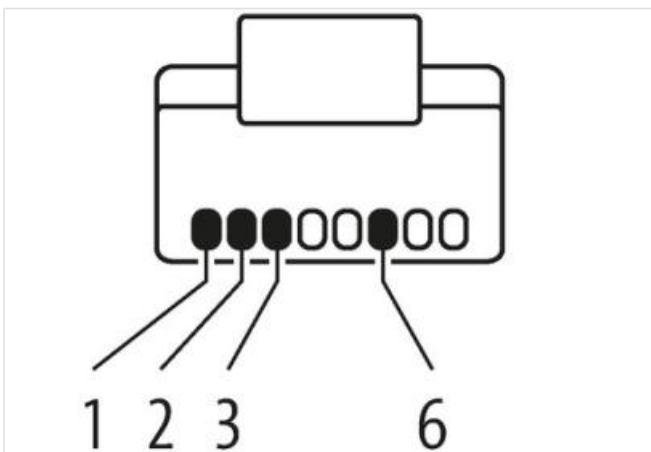
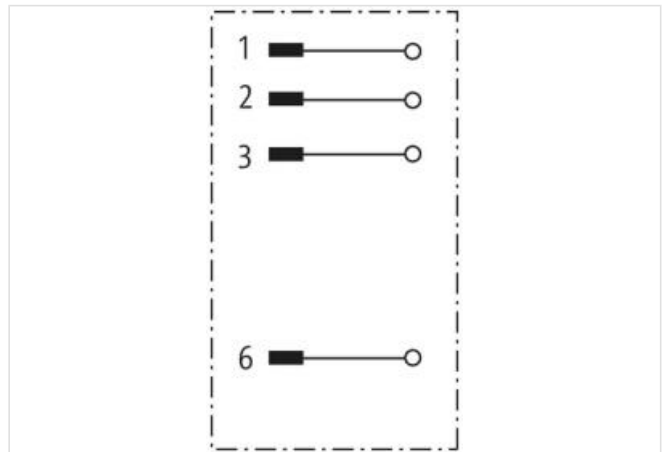
shielded

Protection IP20

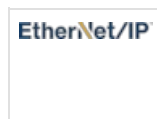
Quick connection technology

Plastic housings with good resistance against chemicals and oils.

The resistance to aggressive media should be individually tested for your application. Further details on request.

**[Link to Product](#)****Illustration**

Product may differ from Image

**Side 1**

The information in this Product-PDF has been compiled with the utmost care.

Liability for the correctness completeness and topicality of the information is restricted to gross negligence. Version: 2025-04-03

Murrelektronik Inc. | 1327 Northbrook Parkway, Suite 460 | Suwanee, GA 30024 | Fon +1 770 497-9292 | Fax +1 770 497-9391 | shop@murrinc.com | shop.murrinc.com

Family construction form	RJ45
<b>Commercial data</b>	
ECLASS-6.0	27279221
ECLASS-6.1	27260703
ECLASS-7.0	2744010
ECLASS-8.0	2744010
ECLASS-9.0	27440114
ECLASS-10.1	2744010
ECLASS-11.1	2744010
ECLASS-12.0	27440114
ETIM-5.0	EC002635
customs tariff number	85366990
customs tariff number	85366990
GTIN	4048879409346
GTIN	4048879409346
Packaging unit	1
Packaging unit	1
<b>Electrical data   Supply</b>	
Operating voltage DC max.	60 V
Current operating per contact max.	2 A
<b>Industrial communication</b>	
Transfer parameters	CAT5, Class D (ISO/IEC 11801:2002), (EN 50173-1)
Data transmission rate max.	100 MBit/s
<b>Industrial communication   Ethernet functionality</b>	
duplex	Full duplex
<b>Installation</b>	
Connection cross section min.	0,14 mm <sup>2</sup>
Connection cross section max.	0,34 mm <sup>2</sup>
AWG number min.	26
AWG number max.	22
<b>Installation   Connection</b>	
Wire insulation diameter max.	1,6 mm
<b>Device protection   Electrical</b>	
Degree of protection (EN IEC 60529)	IP20
<b>Mechanical data   Mounting data</b>	
Clamping range min.	4,5 mm
Clamping range max.	9 mm
<b>Environmental characteristics   Climatic</b>	
Operating temperature min.	-40 °C
Operating temperature max.	70 °C
<b>Important installation notes</b>	
Note on strain relief	Protect the connectors by suitable measures from mechanical loads, e.g. by the usage of cable ties.
Note on bending radius	<b>Attention:</b> Observe the permissible bending radii when laying cables, as the IP protection class can be endangered by excessive bending forces.