

RJ45 Professional male 0° IDC

8-pol., 0,14 - 0,34mm², 4,5 - 9mm, shielded, CAT6

Art.No.: 7000-74011-0000000

Weight: 0.049

Country of origin: RO

Model designation: RJ45Professional Stecker ger.8pol. gesch

Ethernet CAT6A

Male straight

RJ45, 8-pole

shielded

IDC terminals

Protection IP20

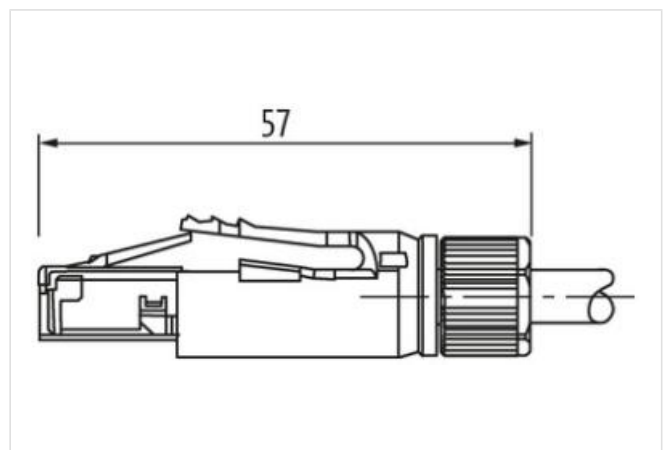
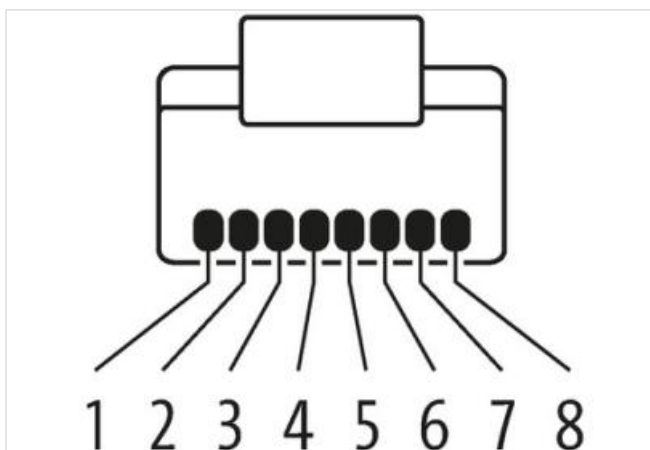
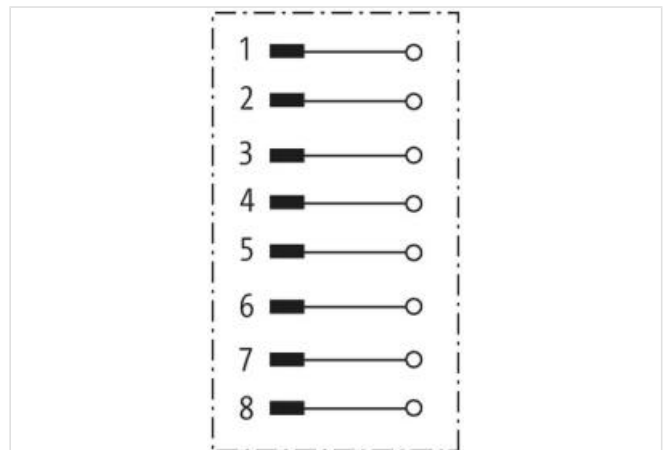
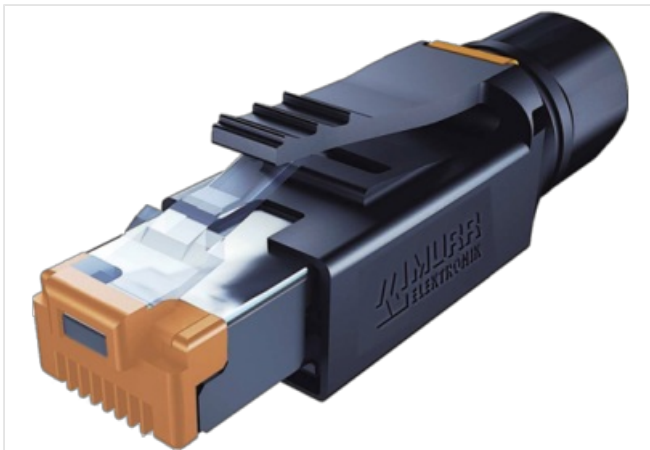
Quick connection technology

Plastic housings with good resistance against chemicals and oils.

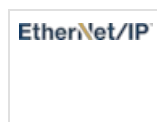
The resistance to aggressive media should be individually tested for your application. Further details on request.

[Link to Product](#)

Illustration



Product may differ from Image



Side 1	
Family construction form	RJ45
Gender	male
Cable outlet	straight
No. of poles	8
Degree of protection (EN IEC 60529)	IP20
Side 2	
Mounting method	field-wireable
Commercial data	
ECLASS-6.0	27279221
ECLASS-6.1	27260703
ECLASS-7.0	2744010
ECLASS-8.0	2744010
ECLASS-9.0	27440114
ECLASS-10.1	2744010
ECLASS-11.1	2744010
ECLASS-12.0	27440114
ETIM-5.0	EC002635
customs tariff number	85366990
customs tariff number	85366990
GTIN	4048879415545
GTIN	4048879415545
Packaging unit	1
Packaging unit	1
Electrical data Supply	
Operating voltage DC max.	60 V
Current operating per contact max.	2 A
Industrial communication	
Transfer parameters	CAT6, Class EA (ISO/IEC 11801:2002), (EN 50173-1)
Data transmission rate max.	10 GBit/s
Installation	
Connection cross section min.	0,14 mm ²
Connection cross section max.	0,34 mm ²
AWG number min.	26
AWG number max.	22
Installation Connection	
Wire insulation diameter max.	1,6 mm
Device protection Electrical	
Degree of protection (EN IEC 60529)	IP20
Mechanical data Mounting data	
Clamping range min.	4,5 mm
Clamping range max.	9 mm
Environmental characteristics Climatic	
Operating temperature min.	-40 °C
Operating temperature max.	70 °C
Important installation notes	
Note on strain relief	Protect the connectors by suitable measures from mechanical loads, e.g. by the usage of cable ties.
Note on bending radius	Attention: Observe the permissible bending radii when laying cables, as the IP protection class can be endangered by excessive bending forces.