

**RJ45 male 0° / RJ45 male 0° shielded**

FRNC/LS0H 4x2xAWG27 shielded gr UL 15m

Art.No.: 7000-74711-7781500

Weight: 0.713 kg

Country of origin: HU

Model designation: MSRAL0-RA-8p8c778\_15.0

Ethernet CAT6A

Male straight – male straight

RJ45 – RJ45, 8-pole

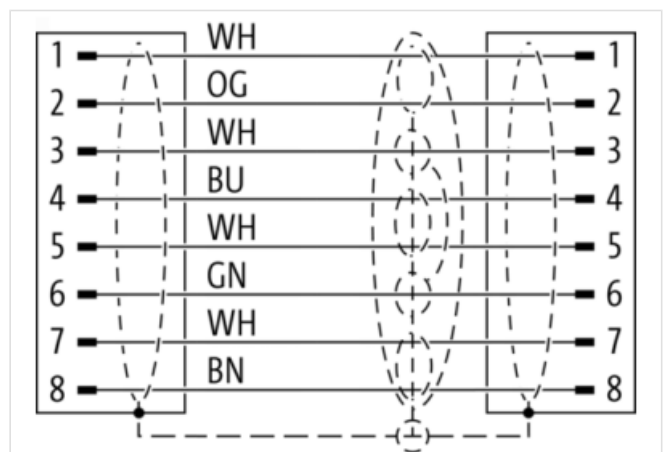
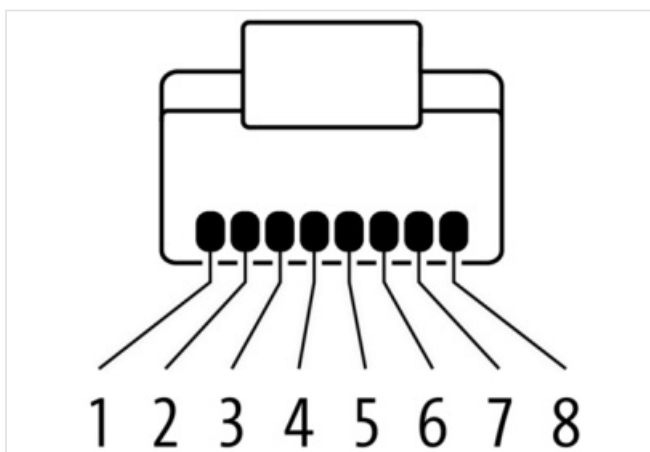
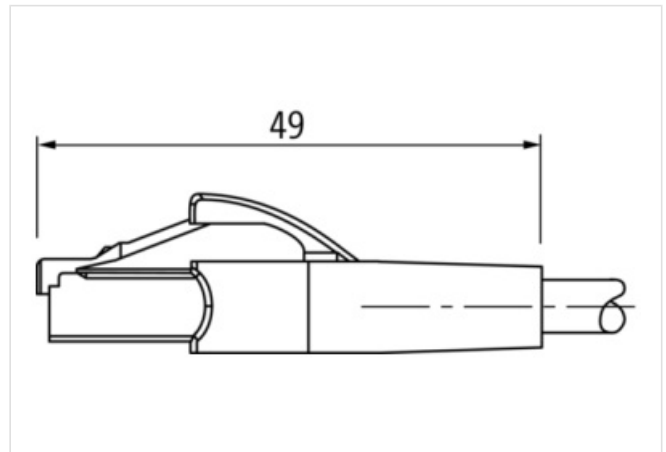
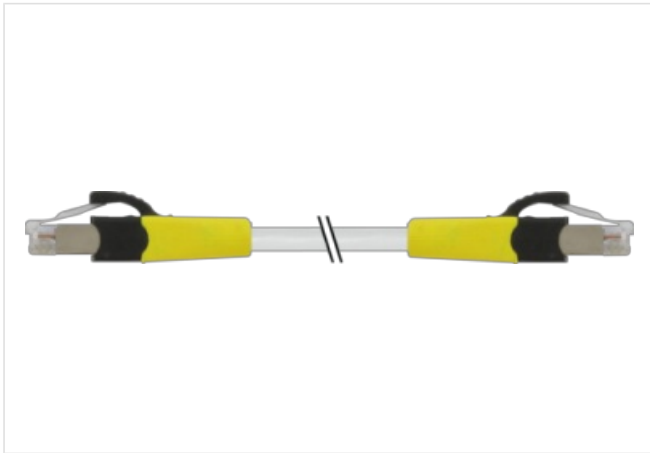
Shielded

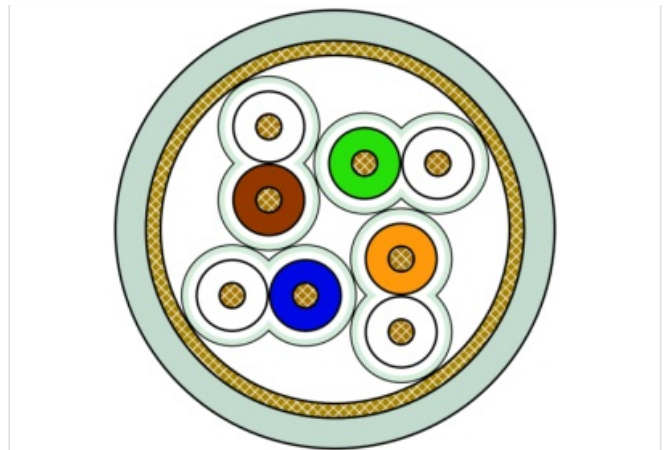
without cable sleeves

Further cable lengths on request.

Plastic housings with good resistance against chemicals and oils.

The resistance to aggressive media should be individually tested for your application. Further details on request.

[Link to Product](#)**Illustration**



Product may differ from Image



Cable length 15,00 m

**Side 1**

Family construction form	RJ45
No. of poles	8
Gender	male
Mounting method	inserted
Cable outlet	straight
Degree of protection (EN IEC 60529)	IP20

**Side 2**

Family construction form	RJ45
No. of poles	8
Gender	male
Mounting method	inserted
Cable outlet	straight
Degree of protection (EN IEC 60529)	IP20

**Commercial data**

URL Webshop	<a href="https://shop.murrelektronik.com/7000-74711-7781500">https://shop.murrelektronik.com/7000-74711-7781500</a>
GTIN	4048879570848
Customs tariff number	85444210
ECLASS-6.0	27061801
ECLASS-6.1	27060307
ECLASS-7.0	27060307
ECLASS-7.1	27060307
ECLASS-8.0	27060307
ECLASS-8.1	27060307
ECLASS-9.0	27060307
ECLASS-9.1	27060307
ECLASS-10.0.1	27060307
ECLASS-10.1	27060307
ECLASS-11.0	27060307
ECLASS-11.1	27060307
ECLASS-12.0	27060307

The information in this Product-PDF has been compiled with the utmost care. Liability for the correctness completeness and topicality of the information is restricted to gross negligence. Version: 2026-05-12

ECLASS-13.0	27060307
ECLASS-14.0	27060307
ETIM-5.0	EC002599
ETIM-6.0	EC002599
ETIM-7.0	EC002599
ETIM-8.0	EC002599
customs tariff number	85444210
EAN	4048879570848
Packaging unit	1

**Electrical data | Supply**

Operating voltage DC max.	60 V
Current operating per contact max.	1,5 A
Operating voltage DC max. (UL-listed)	25 V

**Industrial Communication**

Data transmission rate max.	10 Gbit/s
Transfer parameters	CAT6A

**Diagnostics**

Status indication LED	No
-----------------------	----

**Device protection | Electrical**

Degree of protection (EN IEC 60529)	IP20
Pollution Degree	3
Rated surge voltage	1 kV
Material group (IEC 60664-1)	I

**Mechanical data**

Contour for corrugated hose	without
-----------------------------	---------

**Mechanical data | Material data**

housing	PUR
Locking material	PA

**Mechanical data | Mounting data**

Looking techniques	Snap-in connector
--------------------	-------------------

**Environmental characteristics | Climatic**

Operating temperature min.	-25 °C
Operating temperature max.	85 °C
Additional condition temperature range	depending on cable quality

**Important installation notes**

Note on bending radius	<b>Attention:</b> Observe the permissible bending radii when laying cables, as the IP protection class can be endangered by excessive bending forces.
Note on strain relief	Protect the connectors by suitable measures from mechanical loads, e.g. by the usage of cable ties.

**Installation | Cable**

Cable identification	778
Cable weight	43 g/m
Stranding	4 × 2 wires stranded
Stranding (type 2)	1 × 4 stranding combinations stranded
Cable shielding (type)	copper braiding, bare
Pair shielding (type)	Metal foil
Banding	Foil
Wire arrangement	(WH, BN), (WH, BU), (WH, OG), (WH, GN)
Shield	shielded
Material wire insulation	cell polyethylene
Amount wires	8
Outer diameter insulation	1 mm ± 0.05 mm

Conductor crosssection (wire)	27 AWG
Material conductor wire	Stranded copper wire, bare
Core construction (wire)	7
Ingredient freeness wire insulation	lead-free, CFC-free, halogen-free
Material jacket	FRNC
Outer-diameter (jacket)	6 mm ± 5 %
Jacket Color	gray / RAL 7040
Freedom from ingredients (jacket)	lead-free, CFC-free, halogen-free
Cable shielding (type)	copper braiding, bare
Pair shielding (type)	Metal foil
Nominal voltage max.	125 V
Withstand voltage (wire - wire)	2.5 kV @ 2 s
Withstand voltage (wire - jacket)	2.5 kV @ 2 s
Withstand voltage (wire - shield)	2.5 kV @ 2 s
Current load capacity max. (wire)	1,3 A
Current load capacity (standard)	to DIN VDE 0298-4
Electric capacitance	44.000 pF/km
Isolation resistance	5 GΩ × km
Characteristic impedence	100 Ω ± 5 % @ 100 MHz
Cable type	Industrial Ethernet CAT7
Operating temperature (static)	-20 °C ... 60 °C
Operating temperature (dynamic)	-20 °C ... 60 °C
Flame resistance	IEC 60332-1-2, IEC 60332-2-2, IEC 60332-3-24, IEC 60754-2, IEC 61034-1, IEC 61034-2, UL 2556 § 9.4
Notes	application-related testing
Bending radius (dynamic)	4 × Outer diameter