

**M8 male 0° / M8 female 0° A-cod.**

PVC 3x0.25 bk UL/CSA 10m

Art.No.: 7000-88001-6101000

Weight: 0.281 kg

Country of origin: US

Model designation: MSFL0-H-R610\_10.0

**Advantages of our connectors:**

Our connectors are versatile and specially optimised for industrial environments. All connectors are 100% tested during the manufacturing process to ensure the highest quality and reliability.

The contacts are gold-plated, which ensures optimum conductivity. Thanks to the high degree of protection, the connectors are ideal for demanding industrial environments. They are also vibration-resistant - this is ensured by the union nut with vibration protection.

Our connectors are resistant to oils and cooling lubricants, but resistance to aggressive media should be tested for each specific application. Different cable lengths available [on request](#)

If you are missing technical information? Please feel free to use our [dictionary](#) to find more technical details.

**Product details:**

Male straight – female straight

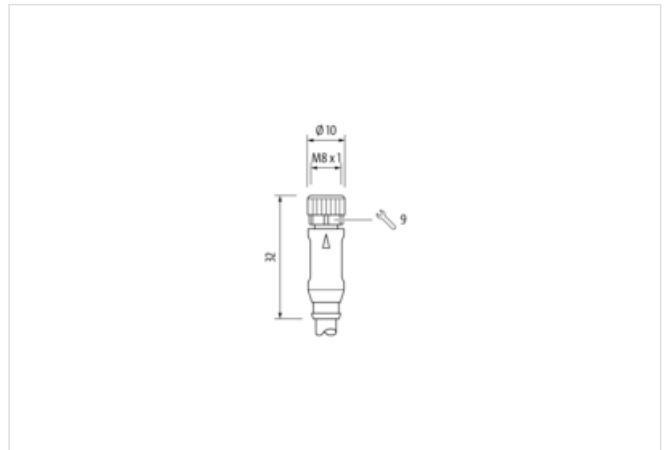
M8 – M8, 3-pole

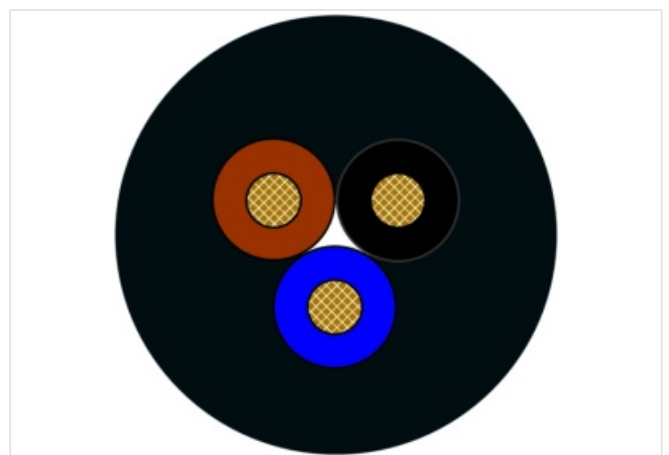
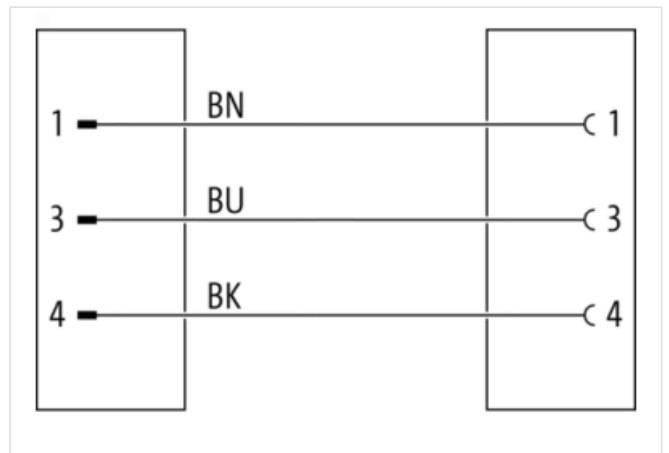
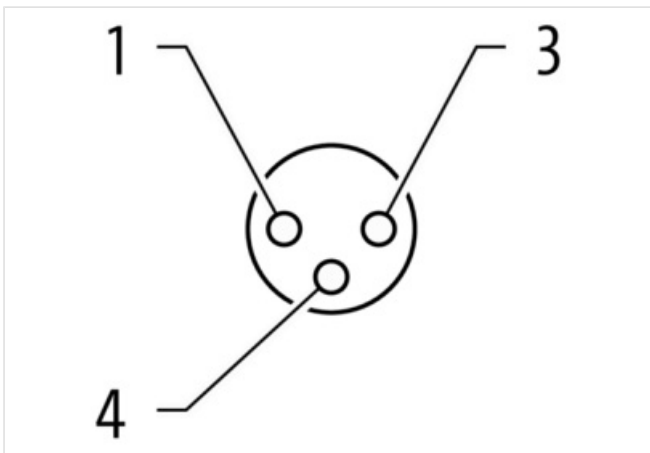
Art-No. 7005 - M12 Lite - (plastic hexagonal screw) on request

Further cable lengths on request.

Plastic housings with good resistance against chemicals and oils.

The resistance to aggressive media should be individually tested for your application. Further details on request.

**[Link to Product](#)****Illustration**



Product may differ from Image



Cable length 10,00 m

Side 1

Family construction form M8

No. of poles	3
Coding	A
Gender	male
Mounting method	inserted, screwed
Threaded hole	M8 x 1
Tightening torque	0,4 Nm
Width across flats	SW9
Cable outlet	straight
suitable for corrugated tube (internal Ø)	6,5 mm
Material	PUR
Material contact	Copper alloy
Coating contact	gold plated
Degree of protection (EN IEC 60529)	IP67, IP66K, IP65

**Side 2**

Family construction form	M8
No. of poles	3
Coding	A
Gender	female
Mounting method	inserted, screwed
Threaded hole	M8 x 1
Tightening torque	0,4 Nm
Width across flats	SW9
Cable outlet	straight
suitable for corrugated tube (internal Ø)	6,5 mm
Material	PUR
Material contact	Copper alloy
Coating contact	gold plated
Degree of protection (EN IEC 60529)	IP67, IP66K, IP65

**Commercial data**

URL Webshop	<a href="https://shop.murrelektronik.com/7000-88001-6101000">https://shop.murrelektronik.com/7000-88001-6101000</a>
GTIN	4048879131162
Customs tariff number	85444290
ECLASS-6.0	27279218
ECLASS-6.1	27279218
ECLASS-7.0	27279218
ECLASS-7.1	27279218
ECLASS-8.0	27279218
ECLASS-8.1	27279218
ECLASS-9.0	27060311
ECLASS-9.1	27060311
ECLASS-10.0.1	27060311
ECLASS-10.1	27060311
ECLASS-11.0	27060311
ECLASS-11.1	27060311
ECLASS-12.0	27060311
ECLASS-13.0	27060311
ECLASS-14.0	27060311
ETIM-5.0	EC001855
ETIM-6.0	EC001855
ETIM-7.0	EC001855
ETIM-8.0	EC001855
customs tariff number	85444290
EAN	4048879131162

Packaging unit 1

#### Electrical data | Supply

Operating voltage AC max. 50 V  
 Operating voltage DC max. 60 V  
 Current operating per contact max. 4 A

#### Diagnostics

Status indication LED No

#### Device protection | Electrical

Degree of protection (EN IEC 60529) IP67, IP68, IP66K, IP65  
 Additional condition protection degree inserted, screwed  
 Pollution Degree 3  
 Rated surge voltage 1,5 kV  
 Material group (IEC 60664-1) I

#### Mechanical data | Material data

housing PUR  
 Locking material Zinc die-casting  
 Coating locking Nickered  
 Gasket FKM

#### Mechanical data | Mounting data

Mounting method inserted, screwed, Shaking protection

#### Environmental characteristics | Climatic

Operating temperature min. -30 °C  
 Operating temperature max. 85 °C  
 Additional condition temperature range depending on cable quality

#### Important installation notes

Note on bending radius **Attention:** Observe the permissible bending radii when laying cables, as the IP protection class can be endangered by excessive bending forces.  
 Note on strain relief Protect the connectors by suitable measures from mechanical loads, e.g. by the usage of cable ties.

#### Conformity

Product standard EN IEC 61076-2-114 (M8)

#### Installation | Cable

Cable identification 610  
 Cable Type 1  
 Cable weight 26,7 g/m  
 UL AWM Style 2464 / 1731  
 Stranding 1 × 3 wires stranded  
 Wire arrangement BN, BK, BU  
 Material wire insulation PVC  
 Amount wires 3  
 Outer diameter insulation 1.25 mm ± 0.05 mm  
 Conductor crosssection (wire) 0,25 mm<sup>2</sup>  
 Material conductor wire Stranded copper wire, bare  
 Core construction (wire) 14 × 0.15 mm  
 Material properties wire insulation good machinability  
 Ingredient freeness wire insulation lead-free, cadmium-free, CFC-free, silicone-free  
 Material jacket PVC  
 Outer-diameter (jacket) 4.5 mm ± 5 %  
 Jacket Color black / RAL 9005  
 Freedom from ingredients (jacket) lead-free, cadmium-free, CFC-free, silicone-free  
 Material property (jacket) good machinability  
 Conductor resistance (wire) 79 Ω/km @ 20 °C

Nominal voltage max.	300 V
Withstand voltage (wire - wire)	2 kV @ 60 s
Withstand voltage (wire - jacket)	2 kV @ 60 s
Current load capacity max. (wire)	4,5 A
Current load capacity (standard)	to DIN VDE 0298-4
Operating temperature (static)	-30 °C ... 80 °C
Operating temperature (dynamic)	-5 °C ... 80 °C
Flame resistance	UL 1581 § 1080, CSA FT1, IEC 60332-1-2
Oil resistance	good
Chemical resistance	good
Other resistances	good resistance to gasoline
Notes	application-related testing
Bending radius (fixed)	5 × Outer diameter
Bending radius (dynamic)	10 × Outer diameter