

**MSUD valve plug CI-9.4mm with cable**

PVC 3x0.75 ye 10m

Art.No.: 7000-94061-0161000

Weight: 0.598 kg

Country of origin: CZ

Model designation: MSUDK-QB5K-016\_10.0

MSUD

Form CI (9.4 mm)

0...230 V AC/DC

without components

3-pole

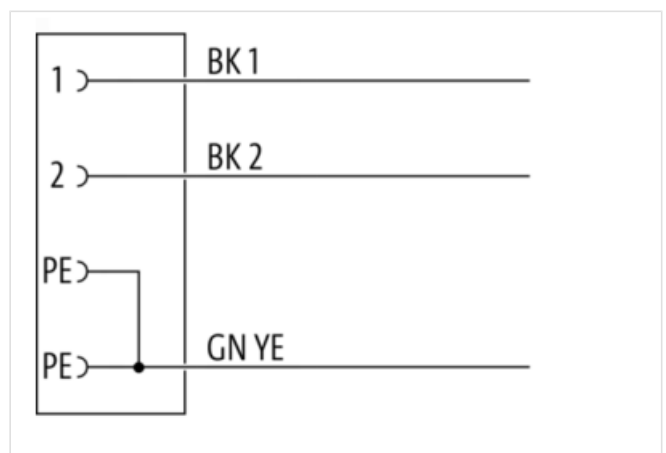
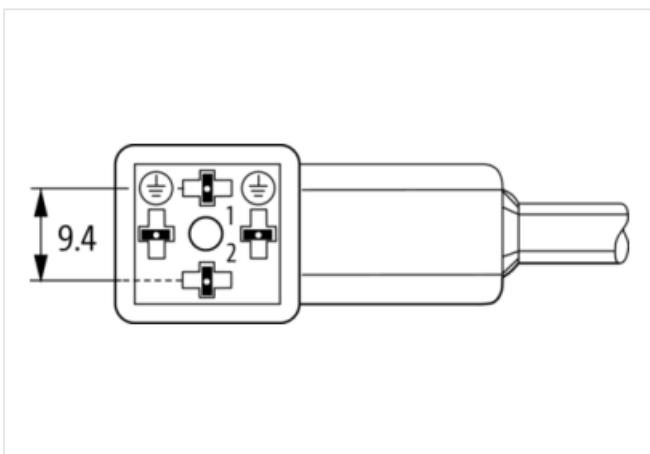
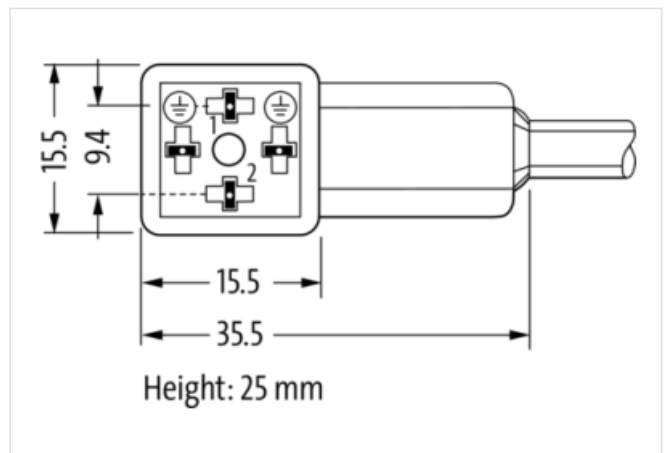
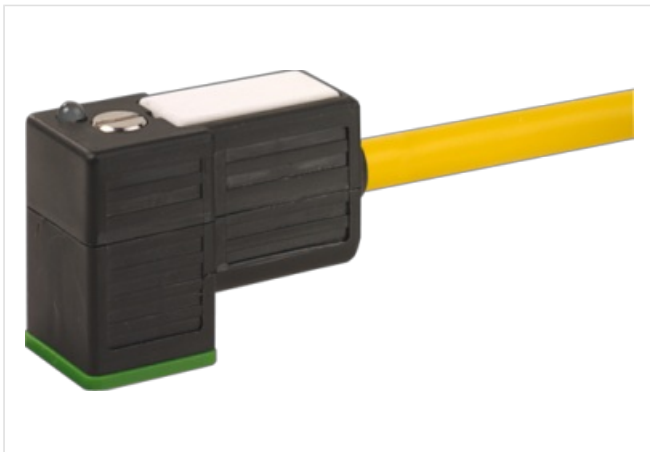
Bridged PE

without cable sleeves

Further cable lengths on request.

Plastic housings with good resistance against chemicals and oils.

The resistance to aggressive media should be individually tested for your application. Further details on request.

**[Link to Product](#)****Illustration**



Product may differ from Image



Cable length 10,00 m

**Side 1**

Threaded hole M3x31

Tightening torque 0,4 Nm

**Commercial data**URL Webshop <https://shop.murrelektronik.com/7000-94061-0161000>

GTIN 4048879114714

ECLASS-6.0 27279218

ECLASS-6.1 27279218

ECLASS-7.0 27279218

ECLASS-7.1 27279218

ECLASS-8.0 27279218

ECLASS-8.1 27279218

ECLASS-9.0 27060312

ECLASS-9.1 27060312

ECLASS-10.0.1 27060312

ECLASS-10.1 27060312

ECLASS-11.0 27060312

ECLASS-11.1 27060312

ECLASS-12.0 27060312

ECLASS-13.0 27060312

ECLASS-14.0 27060312

ETIM-5.0 EC001855

ETIM-6.0 EC001855

ETIM-7.0 EC001855

ETIM-8.0 EC001855

customs tariff number 85444290

EAN 4048879114714

Packaging unit 1

**Electrical data | Supply**

Operating voltage AC max. 230 V

Operating voltage DC max. 230 V

Current operating per contact max. 6 A

#### Device protection | Electrical

|  |                   |
|--|-------------------|
| Degree of protection (EN IEC 60529)    | IP67              |
| Additional condition protection degree | inserted, screwed |
| Pollution Degree                       | 2                 |
| Rated surge voltage                    | 2,5 kV            |
| Material group (IEC 60664-1)           | II                |

#### Mechanical data

Contour for corrugated hose without

#### Mechanical data | Material data

|                  |            |
|------------------|------------|
| housing          | PBT        |
| Color housing    | black      |
| Locking material | Steel      |
| Coating locking  | galvanized |
| Gasket           | PUR        |

#### Mechanical data | Mounting data

Mounting method inserted, screwed

#### Environmental characteristics | Climatic

|  |                            |
|--|----------------------------|
| Operating temperature min.             | -25 °C                     |
| Operating temperature max.             | 85 °C                      |
| Additional condition temperature range | depending on cable quality |

#### Important installation notes

|                        |   |
|------------------------|---|
| Note on bending radius | <b>Attention:</b> Observe the permissible bending radii when laying cables, as the IP protection class can be endangered by excessive bending forces. |
| Note on strain relief  | Protect the connectors by suitable measures from mechanical loads, e.g. by the usage of cable ties.   |
| Note on mounting       | The valve plug may only be plugged in or unplugged when the power is off!   |

#### Installation | Cable

|  |  |
|--|--|
| Cable identification                     | 016  |
| Cable Type                               | 1  |
| Stranding                                | 1 × 3 wires stranded                             |
| Wire arrangement                         | black 1, black 2, green-yellow                   |
| Cable weight                             | 58 g/m   |
| Material wire insulation                 | PVC  |
| Amount wires                             | 3  |
| Outer diameter insulation                | 1,8 mm   |
| Outer diameter tolerance core insulation | ± 0,1 mm   |
| Shore hardness wire insulation           | 43 ± 5 Shore D                                   |
| Conductor crosssection (wire)            | 0,75 mm <sup>2</sup>                             |
| Material conductor wire                  | Stranded copper wire, bare                       |
| Amount strands (wire)                    | 24   |
| Diameter of single wires                 | 0,2 mm   |
| Printing color of wire insulation        | white (isolation black)                          |
| Material properties wire insulation      | good machinability                               |
| Ingredient freeness wire insulation      | lead-free, cadmium-free, CFC-free, silicone-free |
| Conductor type (wire)                    | Strand class 5                                   |
| Outer-diameter (jacket)                  | 5,9 mm   |
| Tolerance outer diameter (sheath)        | ± 5 %  |
| Material jacket                          | PVC  |
| Shore hardness jacket                    | 80 ± 5 Shore A                                   |
| Freedom from ingredients (jacket)        | lead-free, cadmium-free, CFC-free, silicone-free |
| Material property (jacket)               | good machinability                               |
| Conductor resistance (wire)              | 26 Ω/km @ 20 °C                                  |

|  |                             |
|--|-----------------------------|
| Max. rated voltage (conductor - ground)    | 300 V                       |
| Max. rated voltage (conductor - conductor) | 500 V                       |
| Withstand voltage (wire - wire)            | 3 kV @ 60 s                 |
| Withstand voltage (wire - jacket)          | 3 kV @ 60 s                 |
| Current load capacity max. (wire)          | 12 A                        |
| Current load capacity (standard)           | to DIN VDE 0298-4           |
| Operating temperature min. (static)        | -30 °C                      |
| Operating temperature (static)             | 70 °C                       |
| Operating temperature min. (dynamic)       | -5 °C                       |
| Operating temperature (dynamic)            | 70 °C                       |
| Oil resistance                             | good                        |
| Chemical resistance                        | good                        |
| Other resistances                          | good resistance to gasoline |
| Bending radius (fixed)                     | 5 × Outer diameter          |
| Bending radius (dynamic)                   | 10 × Outer diameter         |