

M12 Power male 0° L-cod. screw terminal

5-pol., max. 2,5mm², 8 - 13mm

Art.No.: 7000-P4591-0000000

Weight: 0.027 kg

Country of origin: DE

Model designation: MSWAL-U-SK max. 2.5mm²

Male straight

M12

5-pole

L-coded

Screw terminals

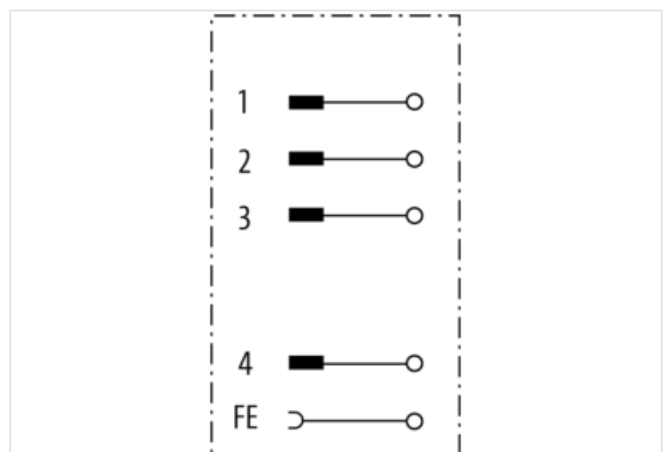
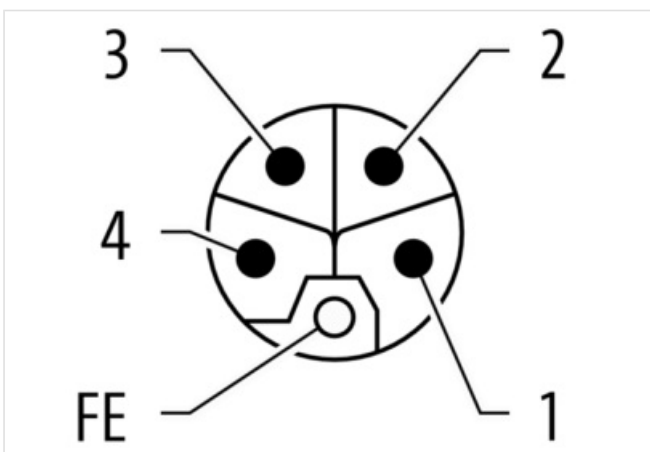
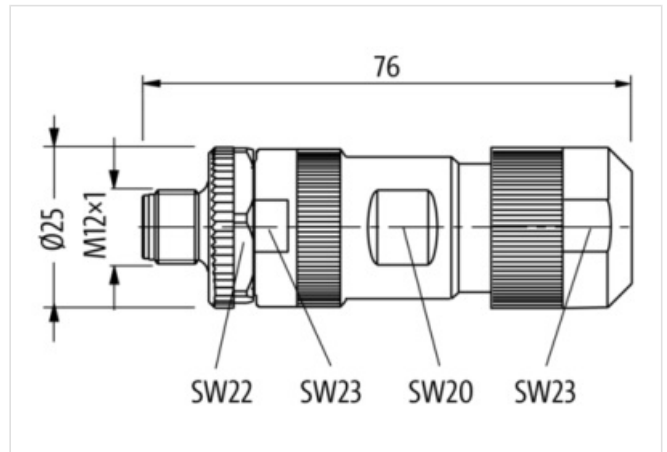
Sealing range (cable Ø)

8...13 mm

The resistance to aggressive media should be individually tested for your application. Further details on request.

[Link to Product](#)

Illustration



Product may differ from Image



Side 1

The information in this Product-PDF has been compiled with the utmost care. Liability for the correctness completeness and topicality of the information is restricted to gross negligence. Version: 2026-04-05

Family construction form	M12P
No. of poles	5
Coding	L
Gender	male
Mounting method	inserted, screwed
Threaded hole	M12 x 1
Cable outlet	straight
Material contact	Copper alloy

Side 2

Mounting method	Field-wireable
-----------------	----------------

Commercial data

URL Webshop	https://shop.murrelektronik.com/7000-P4591-0000000
GTIN	4048879786553
ECLASS-6.0	27279221
ECLASS-6.1	27260702
ECLASS-7.0	27440102
ECLASS-7.1	27440102
ECLASS-8.0	27440102
ECLASS-8.1	27440102
ECLASS-9.0	27440116
ECLASS-9.1	27440106
ECLASS-10.0.1	27440106
ECLASS-10.1	27440102
ECLASS-11.0	27440106
ECLASS-11.1	27440102
ECLASS-12.0	27440116
ECLASS-13.0	27440106
ECLASS-14.0	27440106
ETIM-5.0	EC002635
ETIM-6.0	EC002635
ETIM-7.0	EC002635
ETIM-8.0	EC002635
customs tariff number	85366990
EAN	4048879786553
Packaging unit	1

Electrical data | Supply

Operating voltage AC max.	63 V
Operating voltage DC max.	63 V
Current operating per contact max.	16 A

Diagnostics

Status indication LED	No
-----------------------	----

Installation

Cross section connection with wire end ferrule max.	1,5 mm ²
Cross section connection with wire end ferrule AWG max.	16 AWG
Cross section connection without wire end ferrule max.	2,5 mm ²
Cross section connection without wire end ferrule AWG max.	14 AWG
AWG number max.	14

Installation | Connection

Connection	Screw terminals SK
------------	--------------------

Mounting set	M12 x 1
Mating cycles min.	100
Device protection Electrical	
Degree of protection (EN IEC 60529)	IP67
Additional condition protection degree	inserted, screwed
Pollution Degree	3
Overvoltage category (EN 60950-1)	III
Rated surge voltage	1,5 kV
Material group (IEC 60664-1)	II
Mechanical data Material data	
Material housing	PA
Material contact carrier	PA
Coating contact	gold plated
Mechanical data Mounting data	
Mounting method	Schraubgewinde
Clamping range min.	8 mm
Clamping range max.	13 mm
Environmental characteristics Climatic	
Operating temperature min.	-40 °C
Operating temperature max.	85 °C
Important installation notes	
Note on bending radius	Attention: Observe the permissible bending radii when laying cables, as the IP protection class can be endangered by excessive bending forces.
Note on strain relief	Protect the connectors by suitable measures from mechanical loads, e.g. by the usage of cable ties.