

M12 female 90° A-cod. with cable F&B Pro

TPE-S 8x0.25 bu UL robot+drag ch. 3m

Art.No.: 7024-17061-3120300

Weight: 0.152 kg

Country of origin: DE

Model designation: MSDL0-08D312_3.0-S24

Plug Connectors for Food & Beverage

Female 90°

M12 F&B Pro

8-pole

Stainless steel 1.4404 (V4A)

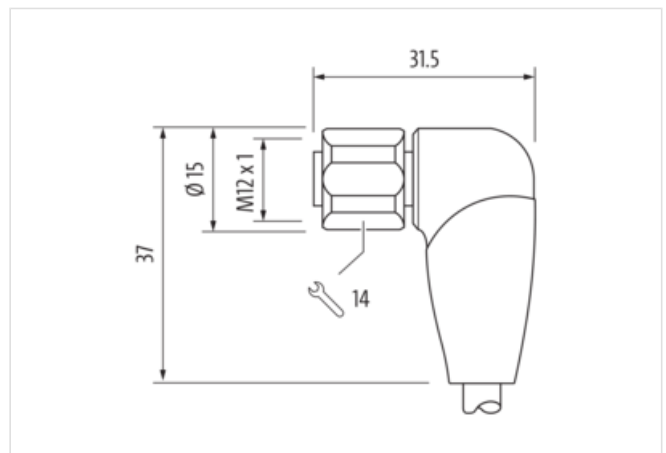
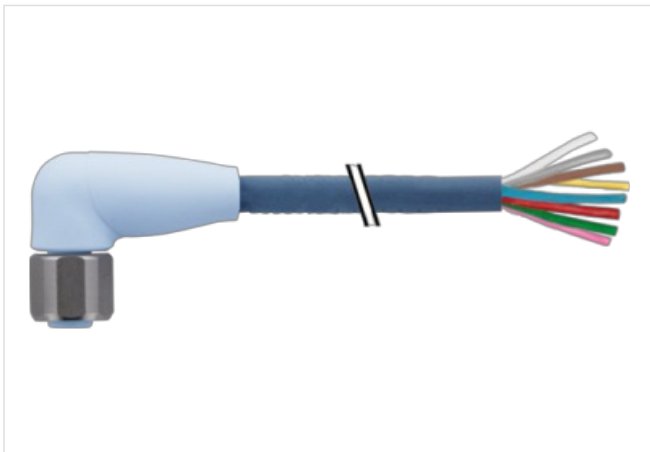
without cable sleeves

IP69K

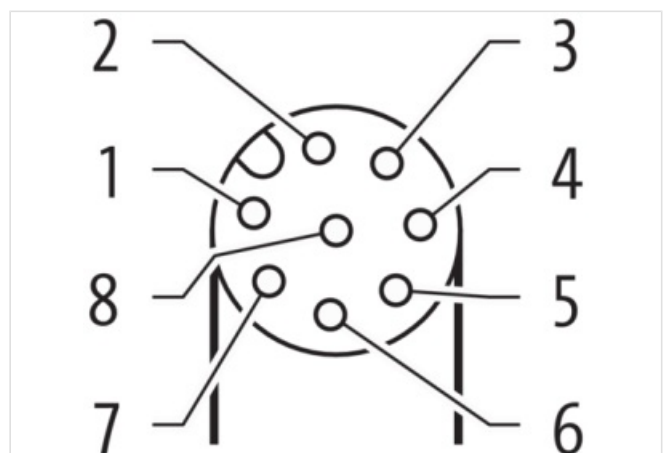
Plastic housings with good resistance against chemicals and oils.

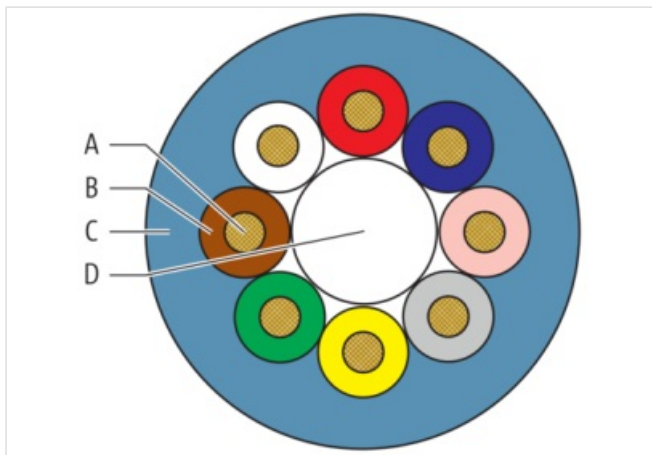
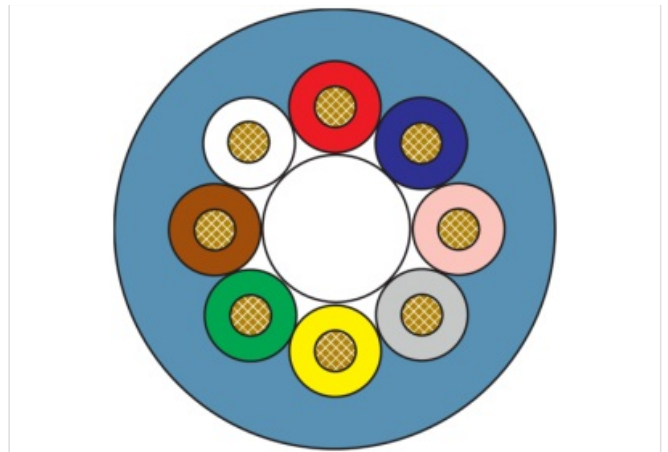
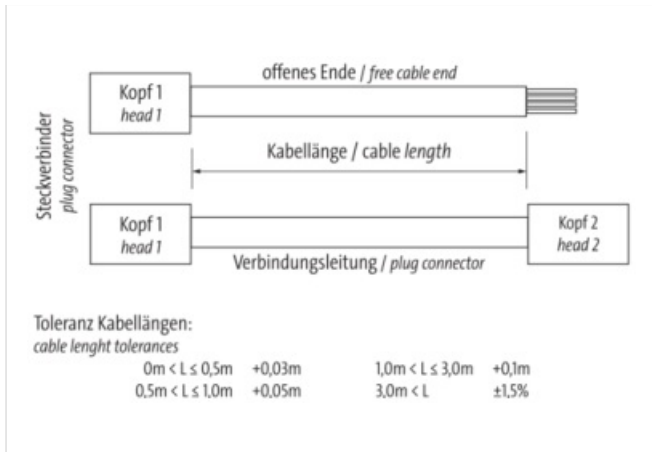
The resistance to aggressive media should be individually tested for your application. Further details on request.

Further cable lengths on request.

[Link to Product](#)**Illustration**

1	WH
2	BN
3	GN
4	YE
5	GY
6	PK
7	BU
8	RD





Product may differ from Image



Commercial data

Material short text	MSDL0-08D312_3.0-S24
URL Webshop	https://shop.murrelektronik.com/7024-17061-3120300
GTIN	4048879761703
ECLASS-6.0	27279218
ECLASS-6.1	27279218
ECLASS-7.0	27279218
ECLASS-7.1	27279218
ECLASS-8.0	27279218
ECLASS-8.1	27279218
ECLASS-9.0	27060311
ECLASS-9.1	27060311
ECLASS-10.0.1	27060311
ECLASS-10.1	27060311
ECLASS-11.0	27060311
ECLASS-11.1	27060311
ECLASS-12.0	27060311
ECLASS-13.0	27060311

ECLASS-14.0	27060311
ETIM-5.0	EC001855
ETIM-6.0	EC001855
ETIM-7.0	EC001855
ETIM-8.0	EC001855
customs tariff number	85444290
EAN	4048879761703
Packaging unit	1
Cable length	
Cable length	3,00 m
Side 1	
Family construction form	M12
No. of poles	8
Coding	A
Gender	female
Mounting method	inserted, screwed
Threaded hole	M12 x 1
Tightening torque	0,6 Nm
Width across flats	SW14
Cable outlet	angled
Material contact	Copper alloy
Coating contact	gold plated
Degree of protection (EN IEC 60529)	IP69K, IP68, IP65
Side 2	
Family construction form	free cable end
Stripping length (jacket)	60 mm
Electrical data Supply	
Operating voltage AC max.	30 V
Operating voltage DC max.	30 V
Current operating per contact max.	2 A
Operating voltage AC (UL-listed)	30 V
Operating voltage DC (UL-listed)	30 V
Diagnostics	
Status indication LED	No
Device protection Electrical	
Additional condition protection degree	inserted, screwed
Pollution Degree	3
Rated surge voltage	0,8 kV
Material group (IEC 60664-1)	I
Mechanical data	
Contour for corrugated hose	without
Mechanical data Material data	
Material housing	PP
Material contact carrier	PP
Color contact carrier	ice blue
Locking material	Stainless steel 1.4404 (V4A)
Material gasket	EPDM
Mechanical data Mounting data	
Mounting method	inserted, screwed, Shaking protection
Environmental characteristics Climatic	
Operating temperature min.	-30 °C

Operating temperature max.	105 °C
Additional condition temperature range	depending on cable quality

Important installation notes

Note on bending radius	Attention: Observe the permissible bending radii when laying cables, as the IP protection class can be endangered by excessive bending forces.
Note on strain relief	Protect the connectors by suitable measures from mechanical loads, e.g. by the usage of cable ties.

Conformity

Product standard	EN IEC 61076-2-101 (M12), FDA conform
------------------	---------------------------------------

Installation | Cable

Cable identification	312
Amount stranding	1
Stranding	Wires
Filler	Yes
Cable weight	45,1 g/m
Material wire insulation	PP
Amount wires	8
Outer diameter insulation	1,17 mm
Outer diameter tolerance core insulation	± 0,02 mm
Shore hardness wire insulation	64 ± 3 Shore D
Ingredient freeness wire insulation	lead-free, cadmium-free, CFC-free, halogen-free, silicone-free
Amount strands (wire)	32
Diameter of single wires	0,1 mm
Conductor crosssection (wire)	0,25 mm ²
Material conductor wire	Stranded copper wire, bare
Conductor type (wire)	strand class 6
Outer-diameter (jacket)	6,3 mm
Tolerance outer diameter (sheath)	± 5 %
Material jacket	TPE-S
Shore hardness jacket	47 ± 5 Shore D
Freedom from ingredients (jacket)	lead-free, cadmium-free, CFC-free, halogen-free, silicone-free
Material property (jacket)	abrasion-resistant, low adhesion, good machinability, matte
Conductor resistance (wire)	78 Ω/km @ 20 °C
Nominal voltage max.	300 V
Withstand voltage (wire - wire)	3 kV @ 60 s
Current load capacity (standard)	to DIN VDE 0298-4
Current load capacity max. (wire)	3 A
Operating temperature min. (static)	-40 °C
Operating temperature max. (static)	105 °C
Operating temperature min. (dynamic)	-25 °C
Operating temperature max. (dynamic)	105 °C
Operating temperature min. (drag chain)	-25 °C
Operating temperature max. (drag chain)	105 °C
Other resistances	resistant to hydrolysis, resistant to microbes
Bending radius (fixed)	5 × Outer diameter
Bending radius (dynamic)	10 × Outer diameter
No. of bending cycles (C-track)	4 Mio. @ 25 °C
Traversing distance (C-track)	10 m @ 25 °C horizontal
Travel speed (C-track)	3 m/s @ 25 °C
Acceleration (C-track)	10 m/s ² @ 25 °C
No. of torsion cycles	2 Mio.
Torsion stress	± 180 °/m
Torsion speed	35 cycles/min