

M12 male 0° / M12 female 0° A-cod. F&B Pro

TPE-S 5x0.34 bu UL robot+drag ch. 5m

Art.No.: 7024-40041-3390500

Weight: 0.195 kg

Country of origin: DE

Model designation: MSBL0-A-U339_5.0-S24

Plug Connectors for Food & Beverage

Male straight – female straight

M12 F&B Pro

5-pole

Stainless steel 1.4404 (V4A)

without cable sleeves

IP69K

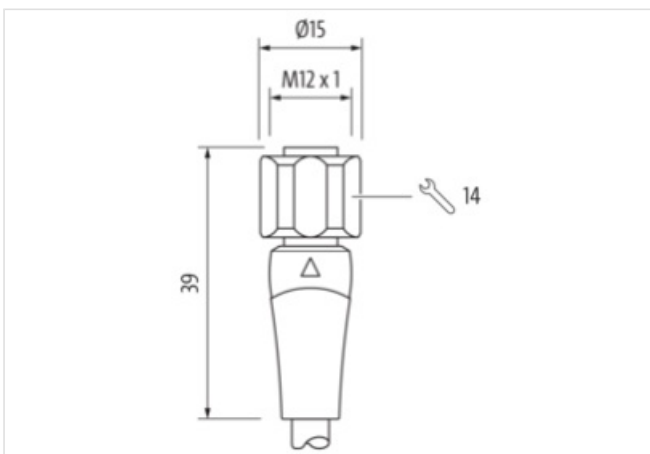
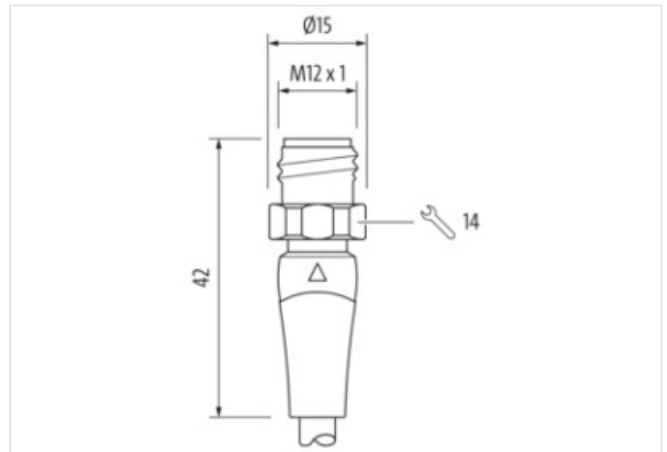
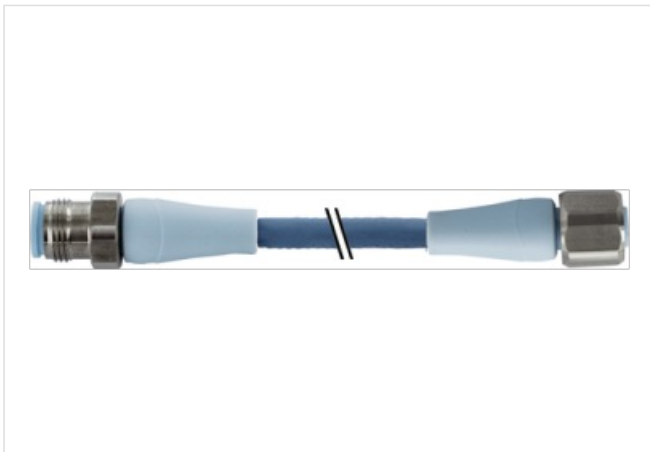
Plastic housings with good resistance against chemicals and oils.

The resistance to aggressive media should be individually tested for your application. Further details on request.

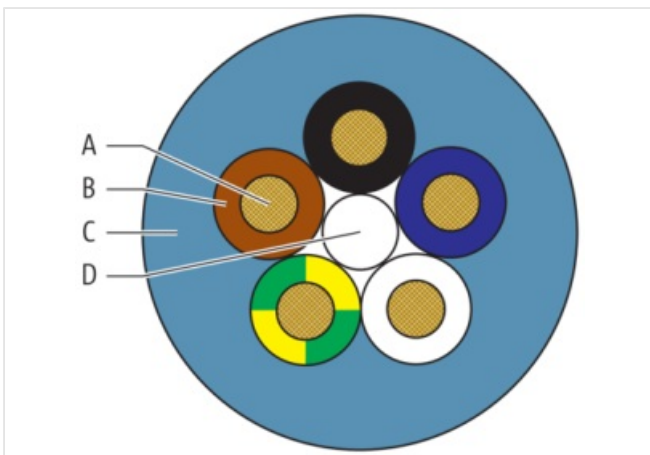
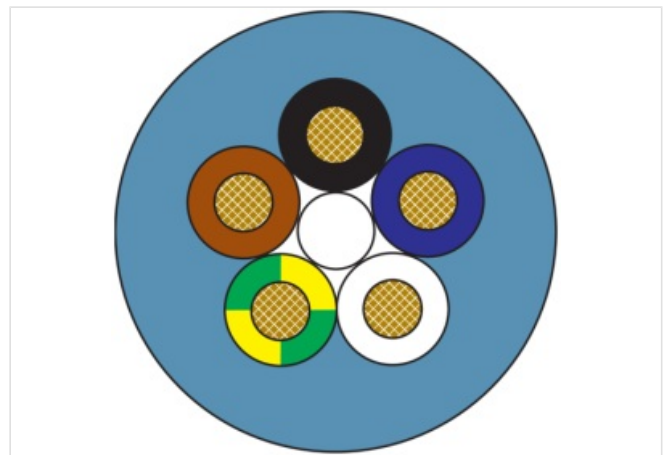
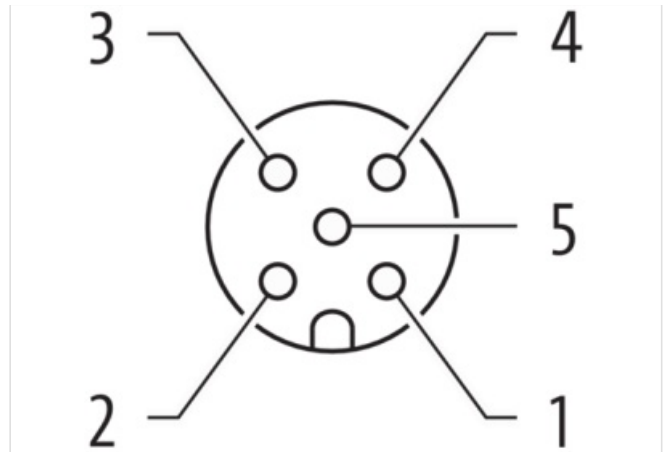
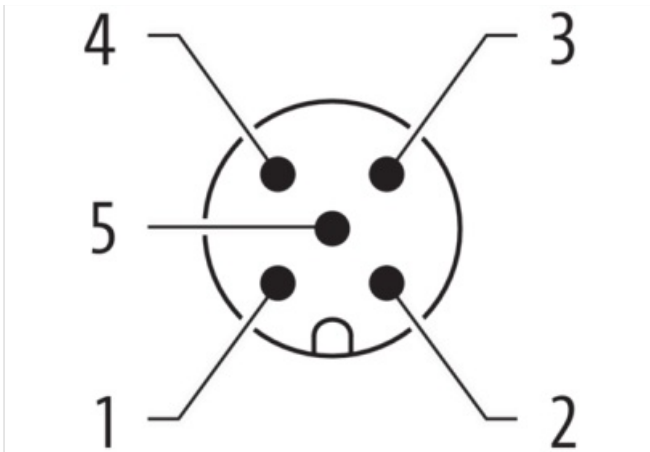
Further cable lengths on request.

Link to Product

Illustration



1	BN	↔	1
2	WH	↔	2
3	BU	↔	3
4	BK	↔	4
5	GN YE	↔	5



Product may differ from Image



Cable length 5,00 m

Side 1

Family construction form M12

No. of poles	5
Coding	A
Gender	male
Mounting method	inserted, screwed
Threaded hole	M12 x 1
Tightening torque	0,6 Nm
Width across flats	SW14
Cable outlet	straight
Material	PP
Material contact	Copper alloy
Coating contact	gold plated
Degree of protection (EN IEC 60529)	IP69K, IP68, IP65

Side 2

Family construction form	M12
No. of poles	5
Coding	A
Gender	female
Mounting method	inserted, screwed
Threaded hole	M12 x 1
Tightening torque	0,6 Nm
Width across flats	SW14
Cable outlet	straight
Material	PP
Material contact	Copper alloy
Coating contact	gold plated
Degree of protection (EN IEC 60529)	IP69K, IP68, IP65

Commercial data

URL Webshop	https://shop.murrelektronik.com/7024-40041-3390500
customs tariff number	85444290
EAN	4048879696623
Packaging unit	1

Electrical data | Supply

Operating voltage AC max.	125 V
Operating voltage DC max.	125 V
Current operating per contact max.	4 A
Operating voltage AC (UL-listed)	30 V
Operating voltage DC (UL-listed)	30 V

Diagnostics

Status indication LED	No
-----------------------	----

Device protection | Electrical

Additional condition protection degree	inserted, screwed
Pollution Degree	3
Rated surge voltage	1,5 kV
Material group (IEC 60664-1)	I

Mechanical data

Contour for corrugated hose	without
-----------------------------	---------

Mechanical data | Material data

Material housing	PP
Material contact carrier	PP
Color contact carrier	ice blue
Locking material	Stainless steel 1.4404 (V4A)

Material gasket EPDM

Mechanical data | Mounting data

Mounting method inserted, screwed, Shaking protection

Environmental characteristics | Climatic

Operating temperature min. -30 °C

Operating temperature max. 105 °C

Additional condition temperature range depending on cable quality

Important installation notes

Note on bending radius **Attention:** Observe the permissible bending radii when laying cables, as the IP protection class can be endangered by excessive bending forces.

Note on strain relief Protect the connectors by suitable measures from mechanical loads, e.g. by the usage of cable ties.

Conformity

Product standard EN IEC 61076-2-101 (M12), FDA conform

Installation | Cable

Cable identification 339

Amount stranding 1

Stranding Wires

Wire arrangement brown, black, blue, white, green-yellow

Cable weight 32 g/m

Material wire insulation PP

Amount wires 5

Outer diameter insulation 1,27 mm

Outer diameter tolerance core insulation $\pm 0,02$ mm

Shore hardness wire insulation 64 ± 3 Shore D

Ingredient freeness wire insulation lead-free, cadmium-free, CFC-free, halogen-free, silicone-free

Amount strands (wire) 42

Diameter of single wires 0,1 mm

Conductor crosssection (wire) $0,34$ mm²

Material conductor wire Stranded copper wire, bare

Conductor type (wire) strand class 6

Outer-diameter (jacket) 5 mm

Tolerance outer diameter (sheath) ± 5 %

Material jacket TPE-S

Shore hardness jacket 47 ± 5 Shore D

Freedom from ingredients (jacket) lead-free, cadmium-free, CFC-free, halogen-free, silicone-free

Material property (jacket) abrasion-resistant, low adhesion, good machinability, matte

Conductor resistance (wire) $58 \Omega/\text{km}$ @ 20 °C

Nominal voltage max. 300 V

Withstand voltage (wire - wire) 3 kV @ 60 s

Current load capacity (standard) to DIN VDE 0298-4

Current load capacity max. (wire) 4,5 A

Operating temperature min. (static) -40 °C

Operating temperature max. (static) 105 °C

Operating temperature min. (dynamic) -25 °C

Operating temperature max. (dynamic) 105 °C

Operating temperature min. (drag chain) -25 °C

Operating temperature max. (drag chain) 105 °C

Other resistances resistant to hydrolysis, resistant to microbes

Bending radius (fixed) 5 × Outer diameter

Bending radius (dynamic) 10 × Outer diameter

No. of bending cycles (C-track) 4 Mio. @ 25 °C

Traversing distance (C-track) 10 m @ 25 °C | horizontal

Travel speed (C-track)	3 m/s @ 25 °C
Acceleration (C-track)	10 m/s ² @ 25 °C
No. of torsion cycles	2 Mio.
Torsion stress	± 180 °/m
Torsion speed	35 cycles/min