

M12 male 0° / M12 female 0° A-cod. F&B Pro

TPE-S 0.5+0.25 shielded bu UL robot+drag ch. 3m

Art.No.: 7024-46041-5230300

Weight: 0.269 kg

Country of origin: DE

Model designation: MSBL0-A-6p2_523_3.0-ZE-S24

Advantages of our connectors:

Our connectors are versatile and specially optimised for industrial environments. All connectors are 100% tested during the manufacturing process to ensure the highest quality and reliability.

The contacts are gold-plated, which ensures optimum conductivity. Thanks to the high degree of protection, the connectors are ideal for demanding industrial environments. They are also vibration-resistant - this is ensured by the union nut with vibration protection.

Our connectors are resistant to oils and cooling lubricants, but resistance to aggressive media should be tested for each specific application. Different cable lengths available [on request](#)

If you are missing technical information? Please feel free to use our [dictionary](#) to find more technical details.

Product details:

Plug Connectors for Food & Beverage

Male straight – female straight

M12 F&B Pro

6-pole

Stainless steel 1.4404 (V4A)

without cable sleeves

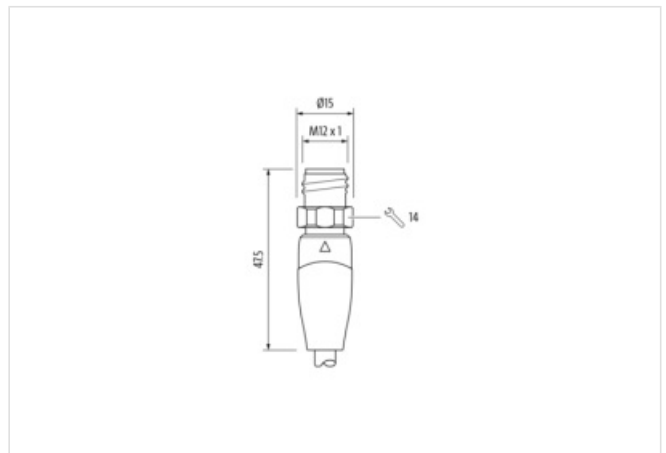
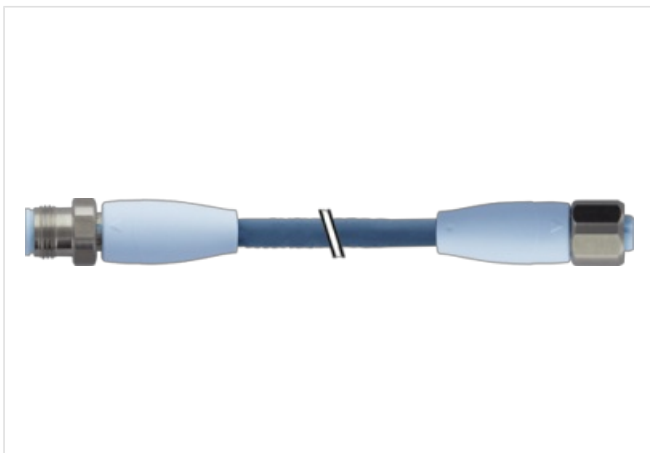
IP69K

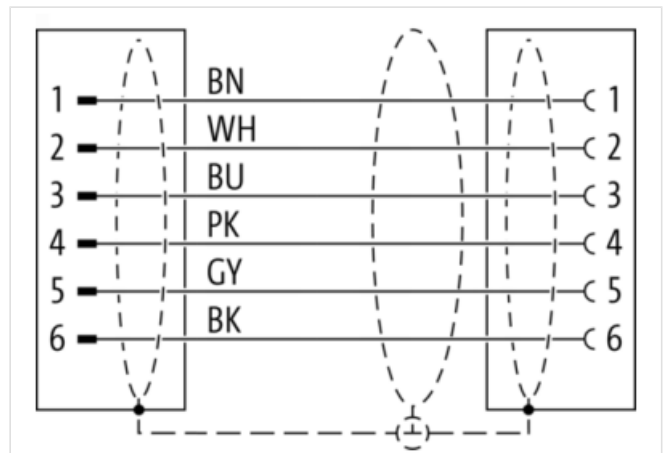
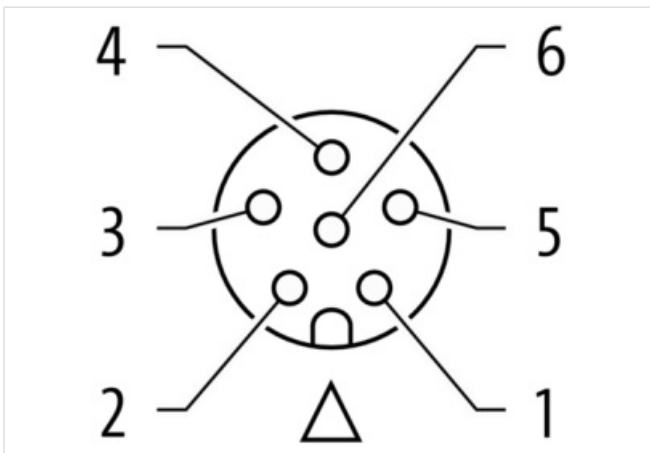
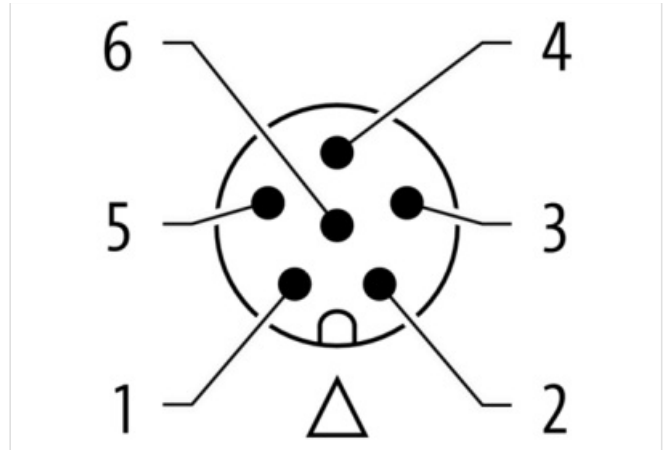
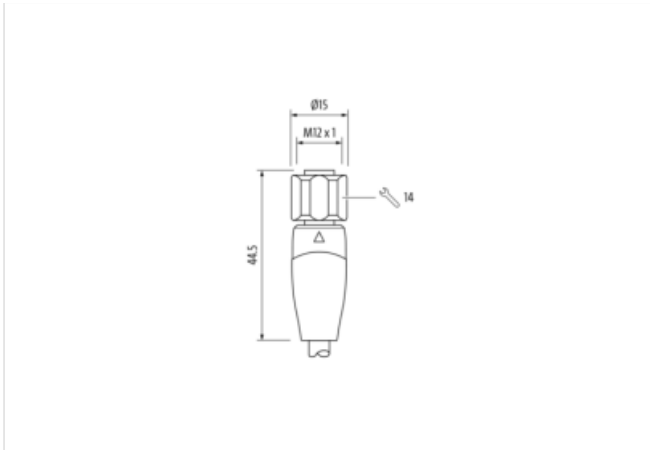
Cube67

Plastic housings with good resistance against chemicals and oils.

The resistance to aggressive media should be individually tested for your application. Further details on request.

Further cable lengths on request.

[Link to Product](#)**Illustration**



Product may differ from Image



Cable length 3,00 m

Side 1

Family construction form M12

No. of poles	6
Coding	A
Gender	male
Mounting method	inserted, screwed
Threaded hole	M12 x 1
Tightening torque	0,6 Nm
Width across flats	SW14
Cable outlet	straight
Material contact	Copper alloy
Coating contact	gold plated
Degree of protection (EN IEC 60529)	IP69K, IP68, IP65

Side 2

Family construction form	M12
No. of poles	6
Coding	A
Gender	female
Mounting method	inserted, screwed
Threaded hole	M12 x 1
Tightening torque	0,6 Nm
Width across flats	SW14
Cable outlet	straight
Material contact	Copper alloy
Coating contact	gold plated
Degree of protection (EN IEC 60529)	IP69K, IP68, IP65

Commercial data

URL Webshop	https://shop.murrelektronik.com/7024-46041-5230300
Customs tariff number	85444290
customs tariff number	85444290
EAN	4048879791861
Packaging unit	1

Electrical data | Supply

Operating voltage AC max.	30 V
Operating voltage DC max.	30 V
Current operating per contact max.	4 A

Diagnostics

Status indication LED	No
-----------------------	----

Device protection | Electrical

Additional condition protection degree	inserted, screwed
Pollution Degree	3
Rated surge voltage	0,8 kV
Material group (IEC 60664-1)	I

Mechanical data

Contour for corrugated hose	without
-----------------------------	---------

Mechanical data | Material data

housing	PP
Material contact carrier	PP
Color contact carrier	ice blue
Locking material	Stainless steel 1.4404 (V4A)
Gasket	EPDM

Mechanical data | Mounting data

Mounting method	inserted, screwed, Shaking protection
-----------------	---------------------------------------

Environmental characteristics Climatic	
Operating temperature min.	-30 °C
Operating temperature max.	105 °C
Additional condition temperature range	depending on cable quality
Important installation notes	
Note on bending radius	Attention: Observe the permissible bending radii when laying cables, as the IP protection class can be endangered by excessive bending forces.
Note on strain relief	Protect the connectors by suitable measures from mechanical loads, e.g. by the usage of cable ties.
Conformity	
Product standard	EN IEC 61076-2-101 (M12), FDA conform
Installation Cable	
Cable identification	523
Cable Type	Food & Beverage
Function cable	Hybrid, Signal, Data
Cable weight	75 g/m
UL AWM Style	22126 / 11558
Stranding	1 Wires
Stranding (type 2)	Wires
Cable shielding (type)	copper braid, tinned
Cable shielding (coverage)	80 %
Banding	Fleece
Filler	Yes
Wire arrangement	GY, PK, (BU, WH, BN, BK)
Shield	shielded
Material wire insulation	PP
Amount wires	4
Outer diameter insulation	1.5 mm ± 0.05 mm
Conductor crosssection (wire)	0,5 mm ²
Material conductor wire	Stranded copper wire, bare
Core construction (wire)	28 × 0.15 mm
Ingredient freeness wire insulation	lead-free, CFC-free, halogen-free
Material wire insulation (type 2)	PP
Amount wires (type 2)	2
Outer diameter wire insulation (type 2)	1.35 mm ± 0.05 mm
Conductor crosssection (wire type 2)	0,25 mm ²
Material conductor wire (type 2)	Stranded copper wire, bare
Core construction (wire type 2)	32 × 0.1 mm
Ingredient freeness wire insulation (type 2)	lead-free, CFC-free, halogen-free
Material jacket	TPE-S
Outer-diameter (jacket)	7.9 mm ± 5 %
Jacket Color	pastel blue / RAL 5024
Freedom from ingredients (jacket)	lead-free, CFC-free, halogen-free
Cable shielding (type)	copper braid, tinned
Cable shielding (coverage)	80 %
Conductor resistance (wire)	39 Ω/km @ 20 °C
Conductor resistance (wire type 2)	78 Ω/km @ 20 °C
Nominal voltage max.	300 V
Withstand voltage (wire - wire)	3 kV @ 60 s
Withstand voltage (wire - jacket)	3 kV @ 60 s
Withstand voltage (wire - shield)	3 kV @ 60 s
Current load capacity max. (wire)	7,2 A
Current load capacity max. Wire (type 2)	4,5 A
Current load capacity (standard)	to DIN VDE 0298-4

Electric inductivity line constant	0,58 pF/km
Electrical capacity line constant (wire - wire)	55 pF/km
Electrical capacity line constant (wire - shield)	105 pF/km
Characteristic impedance	102 Ω
Operating temperature (static)	-40 °C ... 105 °C
Operating temperature (dynamic)	-25 °C ... 105 °C
Operating temperature (drag chain)	-25 °C ... 105 °C
Bending radius (fixed)	5 × Outer diameter
Bending radius (dynamic)	10 × Outer diameter
No. of bending cycles (C-track)	4 Mio. @ 20 °C
Traversing distance (C-track)	10 m @ 20 °C
Travel speed (C-track)	3 m/s @ 20 °C
Acceleration (C-track)	10 m/s ² @ 20 °C
No. of torsion cycles	2 Mio.
Torsion stress	± 180 °/m