

**M12 male 0° / M12 male 0° D-cod. shielded**

TPE 2x2x24AWG SF/UTP CAT5e bu UL/CSA. CM 3m

Art.No.: 7700-44511-S4U0300

Weight: 0.181 kg

Country of origin: US

Model designation: MSDAL0-DA-TS4U\_3.0-ZS

**Advantages of our connectors:**

Our connectors are versatile and specially optimised for industrial environments. All connectors are 100% tested during the manufacturing process to ensure the highest quality and reliability.

The contacts are gold-plated, which ensures optimum conductivity. Thanks to the high degree of protection, the connectors are ideal for demanding industrial environments. They are also vibration-resistant - this is ensured by the union nut with vibration protection.

Our connectors are resistant to oils and cooling lubricants, but resistance to aggressive media should be tested for each specific application. Different cable lengths available [on request](#)

If you are missing technical information? Please feel free to use our [dictionary](#) to find more technical details.

**Product details:**

USA

Ethernet CAT5

Male straight – male straight

M12 – M12, 4-pole

D-coded

Shielded

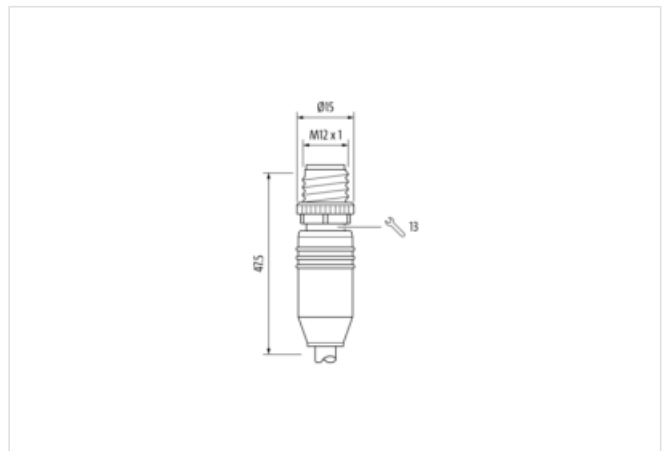
without cable sleeves

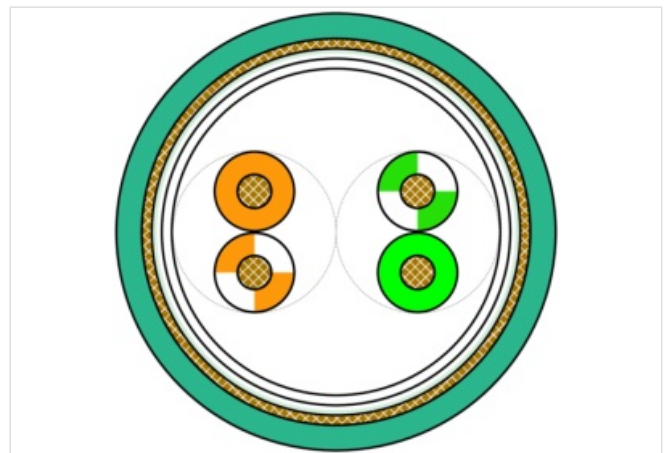
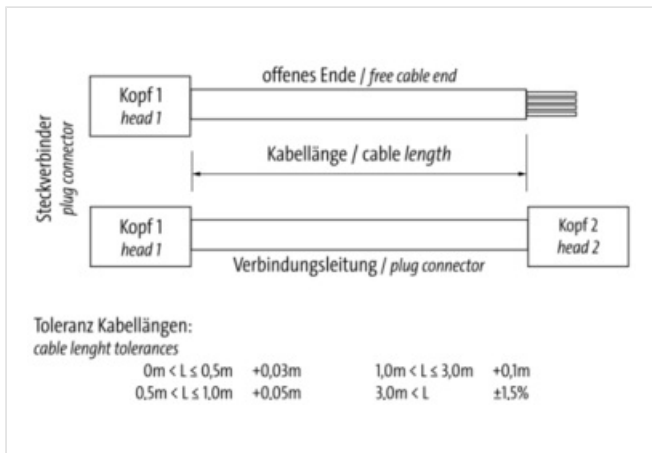
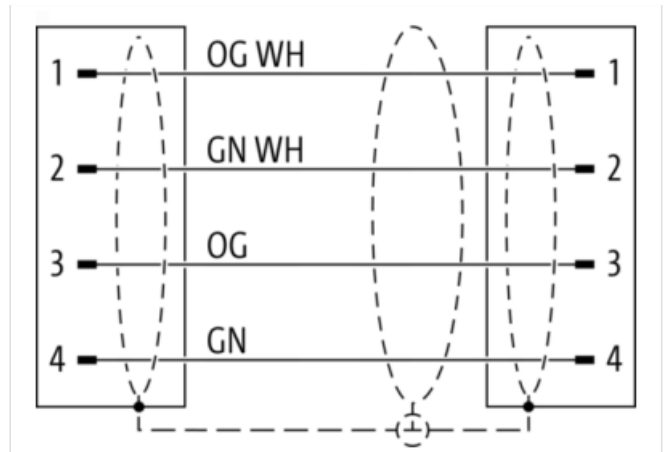
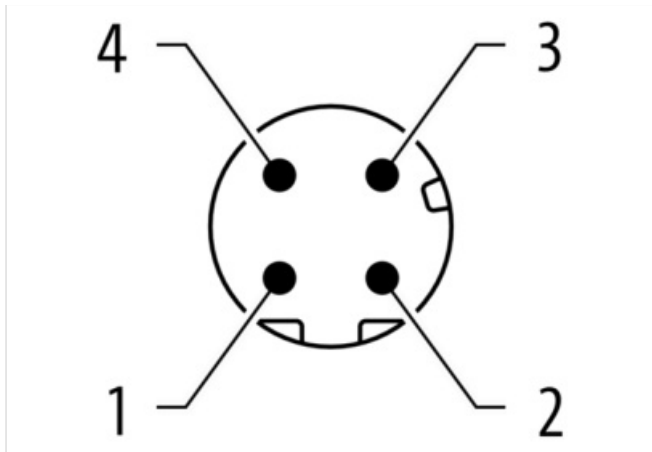
maximum length at channel transmission corresponds to 70 m

Plastic housings with good resistance against chemicals and oils.

The resistance to aggressive media should be individually tested for your application. Further details on request.

Further cable lengths on request.

**Link to Product****Illustration**



Product may differ from Image



Cable length	3,00 m
<b>Side 1</b>	
Family construction form	M12
No. of poles	4
Coding	D
Gender	male
Mounting method	inserted, screwed
Threaded hole	M12 x 1
Tightening torque	0,6 Nm
Width across flats	SW13
Cable outlet	straight
Material contact	Copper alloy
Coating contact	gold plated
Degree of protection (EN IEC 60529)	IP65, IP66K, IP67

<b>Side 2</b>	
Family construction form	M12
No. of poles	4

Coding	D
Gender	male
Mounting method	inserted, screwed
Threaded hole	M12 x 1
Tightening torque	0,6 Nm
Width across flats	SW13
Cable outlet	straight
Material contact	Copper alloy
Coating contact	gold plated
Degree of protection (EN IEC 60529)	IP65, IP66K, IP67

#### Commercial data

URL Webshop	<a href="https://shop.murrelektronik.com/7700-44511-S4U0300">https://shop.murrelektronik.com/7700-44511-S4U0300</a>
GTIN	4048879605847
Customs tariff number	85444290
ECLASS-6.0	27061801
ECLASS-6.1	27060307
ECLASS-7.0	27060307
ECLASS-7.1	27060307
ECLASS-8.0	27060307
ECLASS-8.1	27060307
ECLASS-9.0	27060307
ECLASS-9.1	27060307
ECLASS-10.0.1	27060307
ECLASS-10.1	27060307
ECLASS-11.0	27060307
ECLASS-11.1	27060307
ECLASS-12.0	27060307
ECLASS-13.0	27060307
ECLASS-14.0	27060307
ETIM-5.0	EC002599
ETIM-6.0	EC002599
ETIM-7.0	EC002599
ETIM-8.0	EC002599
customs tariff number	85444290
EAN	4048879605847
Packaging unit	1

#### Electrical data | Supply

Operating voltage DC max.	60 V
Current operating per contact max.	1,5 A
Current operating per contact (UL)	1,5 A

#### Industrial Communication

Data transmission rate max.	100 Mbit/s
Transfer parameters	CAT5, Class D (ISO/IEC 11801:2002), (EN 50173-1)

#### Industrial communication | Ethernet functionality

duplex	Full duplex
--------	-------------

#### Diagnostics

Status indication LED	No
-----------------------	----

#### Device protection | Electrical

Degree of protection (EN IEC 60529)	IP67, IP66K, IP65
Additional condition protection degree	inserted, screwed
Pollution Degree	3
Rated surge voltage	1,5 kV

Material group (IEC 60664-1)

I

**Mechanical data**

Contour for corrugated hose without

**Mechanical data | Material data**

housing PUR

Color housing black

Screw connection Zinc die-casting

Coating of fitting nickel plated

**Mechanical data | Mounting data**

Mounting method inserted, screwed, Shaking protection

**Environmental characteristics | Climatic**

Operating temperature min. -30 °C

Operating temperature max. 85 °C

Additional condition temperature range depending on cable quality

**Important installation notes**

Note on bending radius **Attention:** Observe the permissible bending radii when laying cables, as the IP protection class can be endangered by excessive bending forces.

Note on strain relief Protect the connectors by suitable measures from mechanical loads, e.g. by the usage of cable ties.

**Conformity**

Product standard EN IEC 61076-2-101 (M12)

**Installation | Cable**

Cable identification S4U

Function cable Data

Cable weight 50,6 g/m

UL AWM Style 2463 / 758

Stranding 2 × 2 wires stranded

Stranding (type 2) 1 × 2 stranding combinations stranded

Cable shielding (type) copper braid, tinned

Cable shielding (coverage) 75 %

Banding Foil

Wire arrangement (OGWH, OG), (GNWH, GN)

Shield shielded

Material wire insulation HDPE

Amount wires 4

Outer diameter insulation 1.22 mm ± 0.05 mm

Conductor crosssection (wire) 24 AWG

Material conductor wire copper stranded wire, tinned

Core construction (wire) 7

Ingredient freeness wire insulation lead-free, CFC-free

Material jacket TPE

Outer-diameter (jacket) 6.6 mm ± 5 %

Jacket Color blue / RAL 5018

Freedom from ingredients (jacket) lead-free, CFC-free

Cable shielding (type) copper braid, tinned

Cable shielding (coverage) 75 %

Conductor resistance (wire) 93.8 Ω/km @ 20 °C

Nominal voltage max. 600 V

Withstand voltage (wire - wire) 1.5 kV @ 2 s

Withstand voltage (wire - jacket) 1.5 kV @ 2 s

Current load capacity max. (wire) 2,4 A

Current load capacity (standard) to DIN VDE 0298-4

Characteristic impedance	100 $\Omega$ $\pm$ 5 % @ 100 MHz
Loop resistance	280 $\Omega$ /km
Cable type	Industrial Ethernet CAT5e
Cable length max.	83 m
Operating temperature (static)	-40 °C ... 80 °C
Operating temperature (dynamic)	-40 °C ... 80 °C
Oil resistance	UL 1277 (Oil Res II)
UV resistance	UL 444 § 7.22
Other resistances	resistant to welding sparks
Notes	application-related testing
Bending radius (fixed)	8 $\times$ Outer diameter
Bending radius (dynamic)	16 $\times$ Outer diameter
No. of bending cycles (C-track)	35 Mio. @ 25 °C
Traversing distance (C-track)	0.6 m @ 25 °C
Travel speed (C-track)	1.2 m/s @ 25 °C
Acceleration (C-track)	2.4 m/s <sup>2</sup> @ 25 °C
No. of torsion cycles	3 Mio.
Torsion stress	$\pm$ 270 °/m
Torsion speed	60 cycles/min