

M12 male 0° D-cod. / RJ45 male 0° shielded

TPE 2x2x24AWG SF/UTP CAT5e bu UL/CSA. CM 7.5m

Art.No.: 7700-44711-S4U0750

Weight: 0.400 kg

Country of origin: US

Model designation: MSRAL0-DA-TS4U_7.5-ZS

USA

Ethernet CAT5

Male straight – male straight

M12 – RJ45, 4-pole

D-coded

Shielded

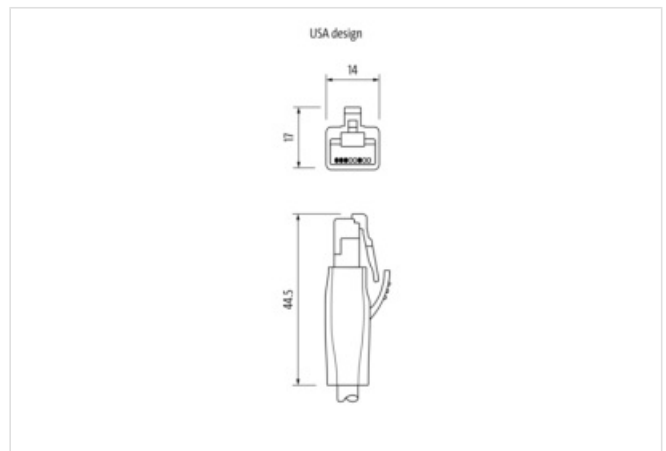
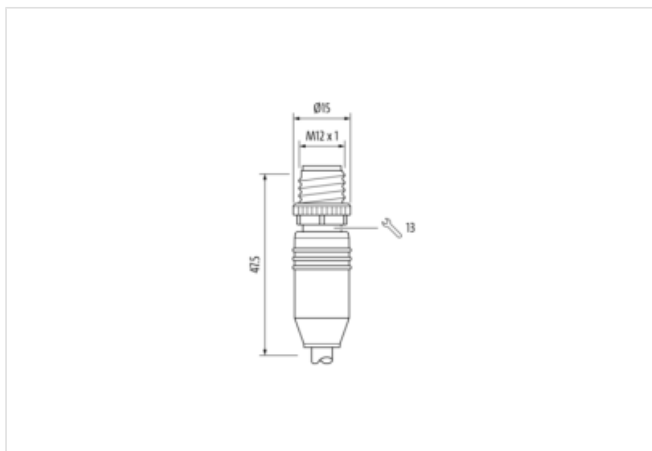
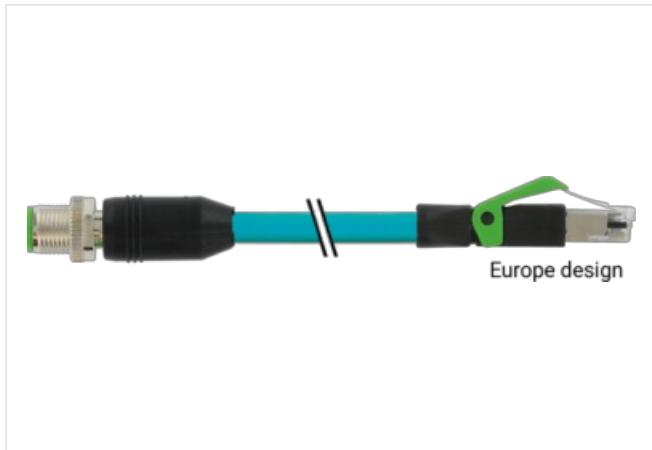
8-pole partly used

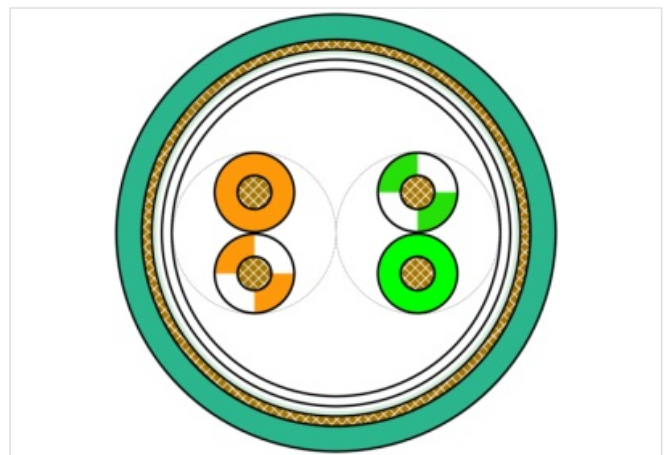
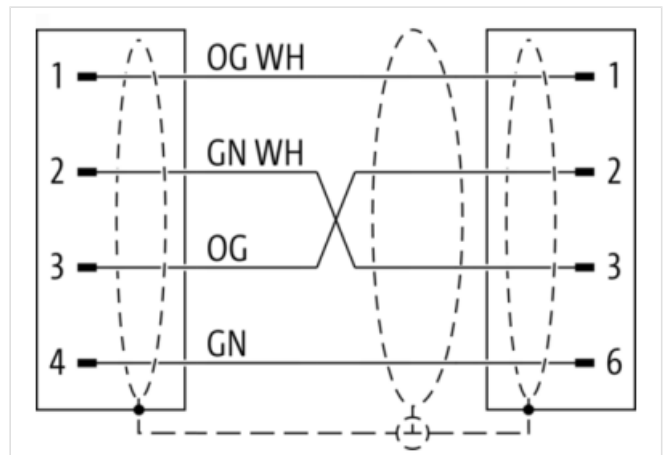
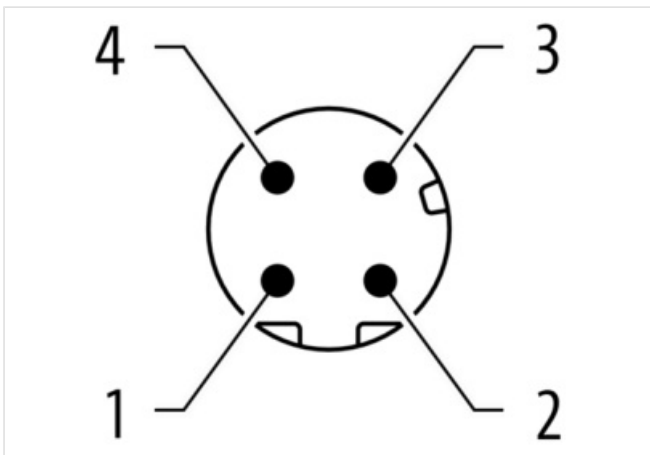
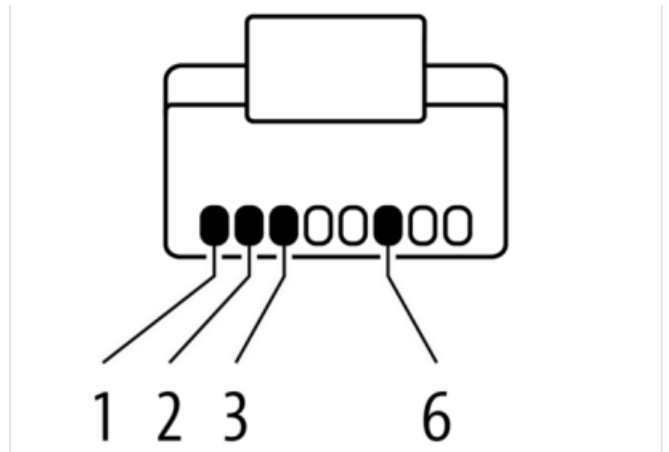
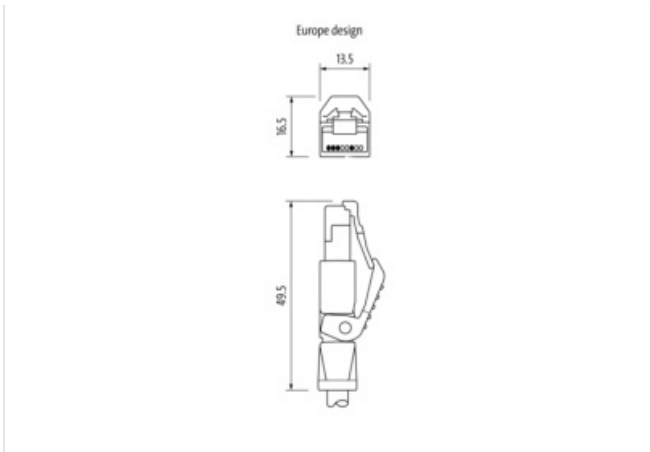
without cable sleeves

Cable is approved for 600 V

Further cable lengths on request.

maximum length at channel transmission corresponds to 70 m

[Link to Product](#)**Illustration**



Product may differ from Image



Cable length 7,50 m

Side 1

Family construction form M12

No. of poles	4
Coding	D
Gender	male
Mounting method	inserted, screwed
Threaded hole	M12 x 1
Tightening torque	0,6 Nm
Width across flats	SW13
Cable outlet	straight
Material contact	Copper alloy
Coating contact	gold plated
Degree of protection (EN IEC 60529)	IP67

Side 2

Family construction form	RJ45
No. of poles	4
Gender	male
Mounting method	pluggable
Cable outlet	straight
Degree of protection (EN IEC 60529)	IP20

Commercial data

URL Webshop	https://shop.murrelektronik.com/7700-44711-S4U0750
GTIN	4048879619738
Customs tariff number	85444290
ECLASS-6.0	27061801
ECLASS-6.1	27060307
ECLASS-7.0	27060307
ECLASS-7.1	27060307
ECLASS-8.0	27060307
ECLASS-8.1	27060307
ECLASS-9.0	27060307
ECLASS-9.1	27060307
ECLASS-10.0.1	27060307
ECLASS-10.1	27060307
ECLASS-11.0	27060307
ECLASS-11.1	27060307
ECLASS-12.0	27060307
ECLASS-13.0	27060307
ECLASS-14.0	27060307
ETIM-5.0	EC002599
ETIM-6.0	EC002599
ETIM-7.0	EC002599
ETIM-8.0	EC002599
customs tariff number	85444290
EAN	4048879619738
Packaging unit	1

Electrical data | Supply

Operating voltage DC max.	60 V
Current operating per contact max.	1,5 A

Industrial Communication

Data transmission rate max.	100 Mbit/s
Transfer parameters	CAT5, Class D (ISO/IEC 11801:2002), (EN 50173-1)

Industrial communication | Ethernet functionality

duplex	Full duplex
--------	-------------

Device protection Electrical	
Pollution Degree	3
Rated surge voltage	1 kV
Material group (IEC 60664-1)	I
Mechanical data	
Contour for corrugated hose	without
Environmental characteristics Climatic	
Operating temperature min.	-30 °C
Operating temperature max.	85 °C
Additional condition temperature range	depending on cable quality
Important installation notes	
Note on bending radius	Attention: Observe the permissible bending radii when laying cables, as the IP protection class can be endangered by excessive bending forces.
Note on strain relief	Protect the connectors by suitable measures from mechanical loads, e.g. by the usage of cable ties.
Conformity	
Product standard	EN IEC 61076-2-101 (M12), EN IEC 60603-7 (RJ45)
Installation Cable	
Cable identification	S4U
Function cable	Data
Cable weight	50,6 g/m
UL AWM Style	2463 / 758
Stranding	2 × 2 wires stranded
Stranding (type 2)	1 × 2 stranding combinations stranded
Cable shielding (type)	copper braid, tinned
Cable shielding (coverage)	75 %
Banding	Foil
Wire arrangement	(OGWH, OG), (GNWH, GN)
Shield	shielded
Material wire insulation	HDPE
Amount wires	4
Outer diameter insulation	1.22 mm ± 0.05 mm
Conductor crosssection (wire)	24 AWG
Material conductor wire	copper stranded wire, tinned
Core construction (wire)	7
Ingredient freeness wire insulation	lead-free, CFC-free
Material jacket	TPE
Outer-diameter (jacket)	6.6 mm ± 5 %
Jacket Color	blue / RAL 5018
Freedom from ingredients (jacket)	lead-free, CFC-free
Cable shielding (type)	copper braid, tinned
Cable shielding (coverage)	75 %
Conductor resistance (wire)	93.8 Ω/km @ 20 °C
Nominal voltage max.	600 V
Withstand voltage (wire - wire)	1.5 kV @ 2 s
Withstand voltage (wire - jacket)	1.5 kV @ 2 s
Current load capacity max. (wire)	2,4 A
Current load capacity (standard)	to DIN VDE 0298-4
Characteristic impedance	100 Ω ± 5 % @ 100 MHz
Loop resistance	280 Ω/km
Cable type	Industrial Ethernet CAT5e
Cable length max.	83 m
Operating temperature (static)	-40 °C ... 80 °C

Operating temperature (dynamic)	-40 °C ... 80 °C
Oil resistance	UL 1277 (Oil Res II)
UV resistance	UL 444 § 7.22
Other resistances	resistant to welding sparks
Notes	application-related testing
Bending radius (fixed)	8 × Outer diameter
Bending radius (dynamic)	16 × Outer diameter
No. of bending cycles (C-track)	35 Mio. @ 25 °C
Traversing distance (C-track)	0.6 m @ 25 °C
Travel speed (C-track)	1.2 m/s @ 25 °C
Acceleration (C-track)	2.4 m/s ² @ 25 °C
No. of torsion cycles	3 Mio.
Torsion stress	± 270 °/m
Torsion speed	60 cycles/min