

**M12 male 0° D-cod. / RJ45 male 0° shielded**

TPE 22AWG SF/UTP CAT5e gn UL/CSA. ITC/PLTC 10m

Art.No.: 7700-44711-S7V1000

Weight: 0.705 kg

Country of origin: US

Model designation: MSRAL0-DA-TS7V\_10.0-ZS

Ethernet CAT5

Male straight – male straight

M12 – RJ45, 4-pole

D-coded

Shielded

USA

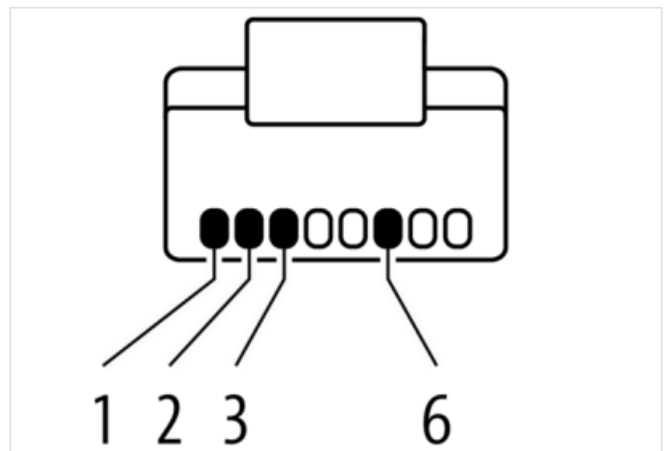
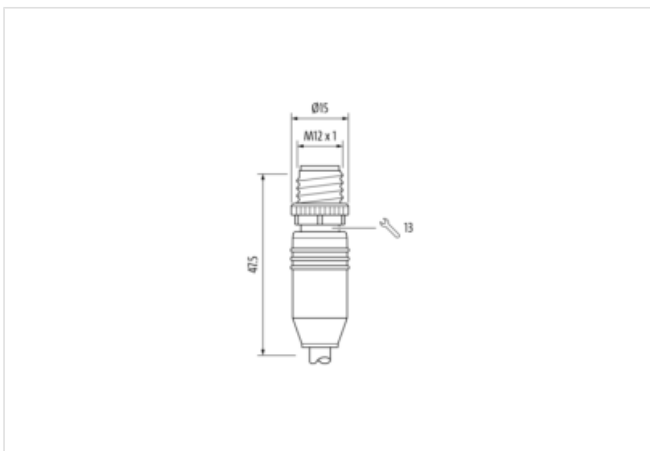
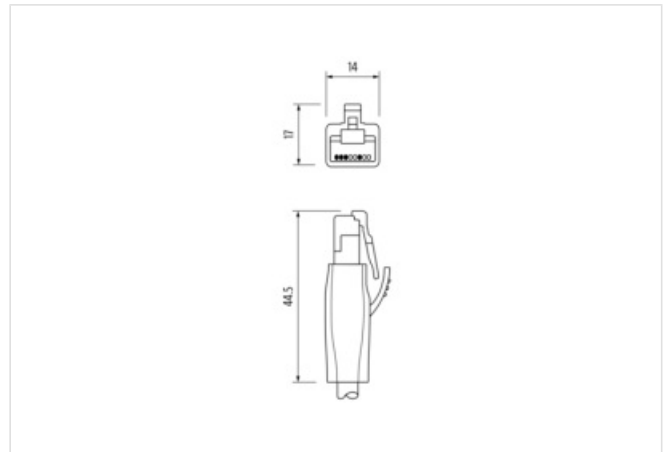
without cable sleeves

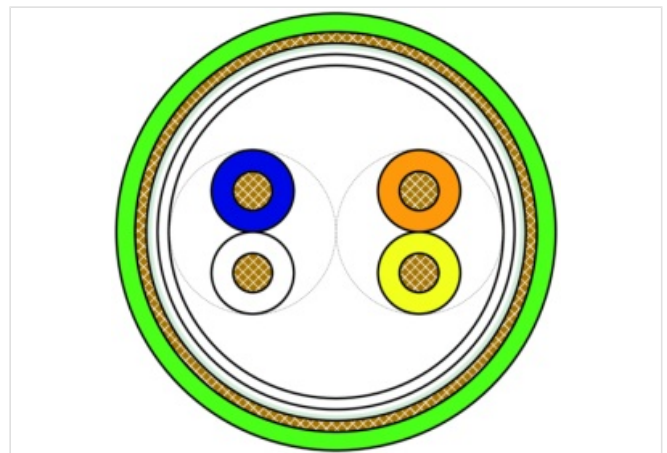
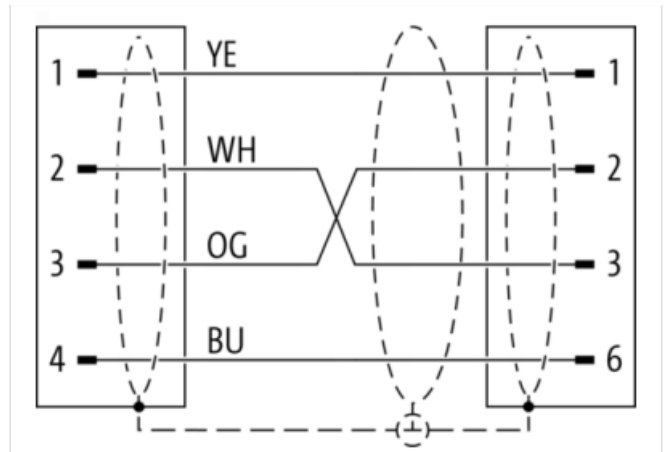
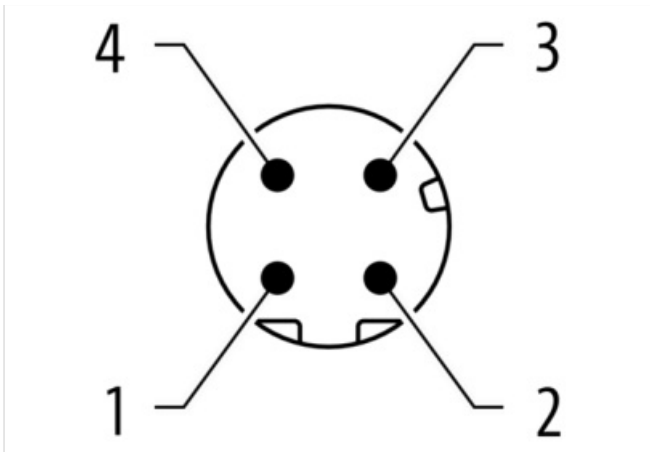
Protection cap

Further cable lengths on request.

Plastic housings with good resistance against chemicals and oils.

Transmission properties with channel transmission up to 100 m

[Link to Product](#)**Illustration**



Product may differ from Image



|                                     |                   |
|-------------------------------------|-------------------|
| Cable length                        | 10,00 m           |
| <b>Side 1</b>                       |                   |
| Family construction form            | M12               |
| No. of poles                        | 4                 |
| Coding                              | D                 |
| Gender                              | male              |
| Mounting method                     | inserted, screwed |
| Threaded hole                       | M12 x 1           |
| Tightening torque                   | 0,6 Nm            |
| Width across flats                  | SW13              |
| Cable outlet                        | straight          |
| Material contact                    | Copper alloy      |
| Coating contact                     | gold plated       |
| Degree of protection (EN IEC 60529) | IP67              |
| <b>Side 2</b>                       |                   |
| Family construction form            | RJ45              |
| No. of poles                        | 4                 |

|                                     |           |
|-------------------------------------|-----------|
| Gender                              | male      |
| Mounting method                     | pluggable |
| Cable outlet                        | straight  |
| Degree of protection (EN IEC 60529) | IP20      |

**Commercial data**

|                       |   |
|-----------------------|---|
| URL Webshop           | <a href="https://shop.murrelektronik.com/7700-44711-S7V1000">https://shop.murrelektronik.com/7700-44711-S7V1000</a> |
| GTIN                  | 4048879668705   |
| Customs tariff number | 85444290  |
| ECLASS-6.0            | 27061801  |
| ECLASS-6.1            | 27060307  |
| ECLASS-7.0            | 27060307  |
| ECLASS-7.1            | 27060307  |
| ECLASS-8.0            | 27060307  |
| ECLASS-8.1            | 27060307  |
| ECLASS-9.0            | 27060307  |
| ECLASS-9.1            | 27060307  |
| ECLASS-10.0.1         | 27060307  |
| ECLASS-10.1           | 27060307  |
| ECLASS-11.0           | 27060307  |
| ECLASS-11.1           | 27060307  |
| ECLASS-12.0           | 27060307  |
| ECLASS-13.0           | 27060307  |
| ECLASS-14.0           | 27060307  |
| ETIM-5.0              | EC002599  |
| ETIM-6.0              | EC002599  |
| ETIM-7.0              | EC002599  |
| ETIM-8.0              | EC002599  |
| customs tariff number | 85444290  |
| EAN                   | 4048879668705   |
| Packaging unit        | 1   |

**Electrical data | Supply**

|                                    |       |
|------------------------------------|-------|
| Operating voltage DC max.          | 60 V  |
| Current operating per contact max. | 1,5 A |
| Operating voltage DC (UL-listed)   | 30 V  |

**Industrial Communication**

|                             |  |
|-----------------------------|--|
| Data transmission rate max. | 100 Mbit/s                                       |
| Transfer parameters         | CAT5, Class D (ISO/IEC 11801:2002), (EN 50173-1) |

**Industrial communication | Ethernet functionality**

|        |             |
|--------|-------------|
| duplex | Full duplex |
|--------|-------------|

**Device protection | Electrical**

|                              |      |
|------------------------------|------|
| Pollution Degree             | 3    |
| Rated surge voltage          | 1 kV |
| Material group (IEC 60664-1) | I    |

**Mechanical data**

|                             |         |
|-----------------------------|---------|
| Contour for corrugated hose | without |
|-----------------------------|---------|

**Environmental characteristics | Climatic**

|  |                            |
|--|----------------------------|
| Operating temperature min.             | -30 °C                     |
| Operating temperature max.             | 85 °C                      |
| Additional condition temperature range | depending on cable quality |

**Important installation notes**

Note on bending radius

**Attention:** Observe the permissible bending radii when laying cables, as the IP protection class can be endangered by excessive bending forces.

Note on strain relief

Protect the connectors by suitable measures from mechanical loads, e.g. by the usage of cable ties.

**Conformity**

Product standard EN IEC 61076-2-101 (M12), EN IEC 60603-7 (RJ45)

**Installation | Cable**

|                                     |   |
|-------------------------------------|---|
| Cable identification                | S7V   |
| Function cable                      | Data  |
| Cable weight                        | 68 g/m  |
| UL AWM Style                        | 2463 / 758                                    |
| Stranding                           | 2 × 2 wires stranded                          |
| Stranding (type 2)                  | 1 × 2 stranding combinations stranded         |
| Cable shielding (type)              | copper braid, tinned                          |
| Cable shielding (coverage)          | 75 %  |
| Banding                             | Foil  |
| Wire arrangement                    | (WH, BU), (OG, YE)                            |
| Shield                              | shielded                                      |
| Material wire insulation            | HDPE  |
| Amount wires                        | 4   |
| Outer diameter insulation           | 1.47 mm ± 0.05 mm                             |
| Conductor crosssection (wire)       | 22 AWG  |
| Material conductor wire             | copper stranded wire, tinned                  |
| Core construction (wire)            | 19  |
| Ingredient freeness wire insulation | lead-free, CFC-free                           |
| Material jacket                     | TPE   |
| Outer-diameter (jacket)             | 7.87 mm ± 5 %                                 |
| Jacket Color                        | green / RAL 6018                              |
| Freedom from ingredients (jacket)   | lead-free, CFC-free                           |
| Cable shielding (type)              | copper braid, tinned                          |
| Cable shielding (coverage)          | 75 %  |
| Conductor resistance (wire)         | 93.8 Ω/km @ 20 °C                             |
| Nominal voltage max.                | 600 V   |
| Current load capacity max. (wire)   | 4,8 A   |
| Current load capacity (standard)    | to DIN VDE 0298-4                             |
| Cable type                          | Industrial Ethernet Profinet Typ B & C, CAT5e |
| Operating temperature (static)      | -40 °C ... 80 °C                              |
| Operating temperature (dynamic)     | -40 °C ... 80 °C                              |
| Oil resistance                      | UL 1277 (Oil Res II)                          |
| UV resistance                       | UL 444 § 7.22                                 |
| Other resistances                   | resistant to welding sparks                   |
| Notes                               | application-related testing                   |
| Bending radius (fixed)              | 8 × Outer diameter                            |
| Bending radius (dynamic)            | 8 × Outer diameter                            |
| No. of bending cycles (C-track)     | 35 Mio. @ 25 °C                               |
| No. of torsion cycles               | 5 Mio.  |
| Torsion stress                      | ± 180 °/m                                     |