

M12 male 0° / M12 male 0° A-cod. shielded

TPE 4x2x24AWG SF/UTP CAT5e bu UL/CSA. CM 5m

Art.No.: 7700-48511-S4W0500

Weight: 0.370 kg

Country of origin: CZ

Model designation: MSAL0-A-08DS4W_5.0-ZS

Advantages of our connectors:

Our connectors are versatile and specially optimised for industrial environments. All connectors are 100% tested during the manufacturing process to ensure the highest quality and reliability.

The contacts are gold-plated, which ensures optimum conductivity. Thanks to the high degree of protection, the connectors are ideal for demanding industrial environments. They are also vibration-resistant - this is ensured by the union nut with vibration protection.

Our connectors are resistant to oils and cooling lubricants, but resistance to aggressive media should be tested for each specific application. Different cable lengths available [on request](#)

If you are missing technical information? Please feel free to use our [dictionary](#) to find more technical details.

Product details:

USA

Ethernet CAT5

Male straight – male straight

M12 – M12, 8-pole

Shielded

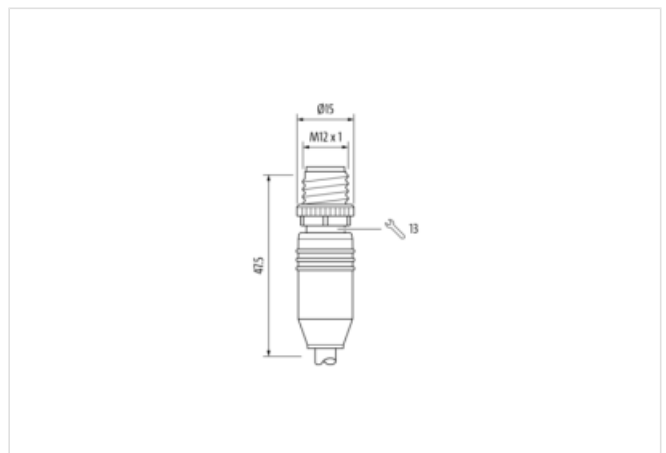
Cable is approved for 600 V

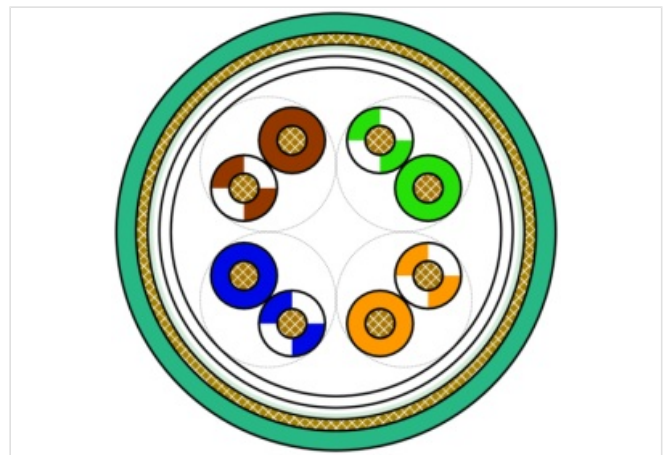
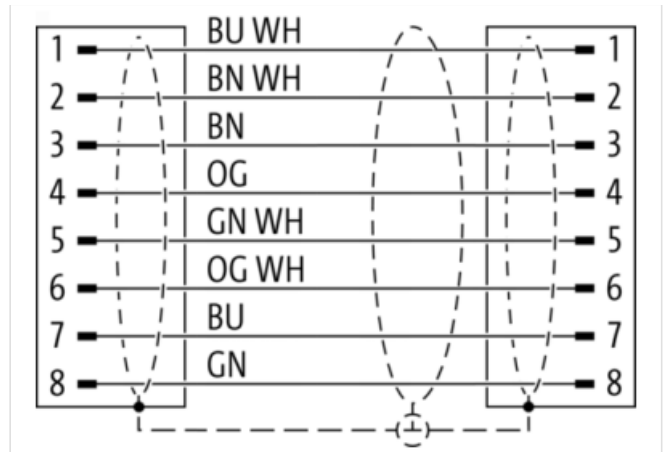
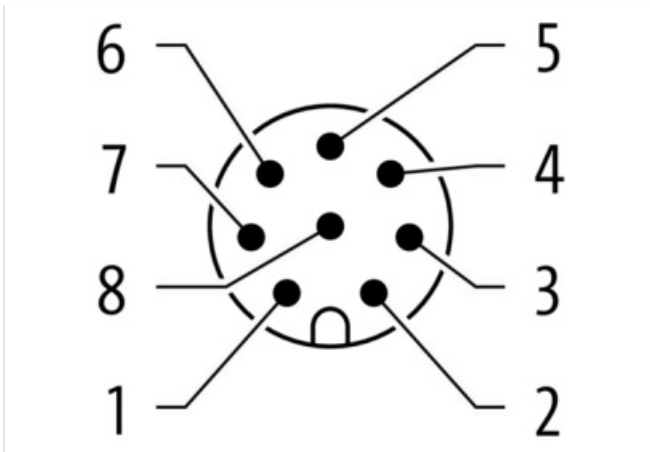
maximum length for channel transmission corresponds to 90 m

Plastic housings with good resistance against chemicals and oils.

The resistance to aggressive media should be individually tested for your application. Further details on request.

Further cable lengths on request.

Link to Product**Illustration**



Product may differ from Image



Cable length 5,00 m

Side 1

Family construction form	M12
No. of poles	8
Coding	A
Gender	male
Mounting method	inserted, screwed
Threaded hole	M12 x 1
Tightening torque	0,6 Nm
Width across flats	SW13
Cable outlet	straight
Material contact	Copper alloy
Coating contact	gold plated
Degree of protection (EN IEC 60529)	IP67, IP65

Side 2

Family construction form	M12
No. of poles	8

Coding	A
Gender	male
Mounting method	inserted, screwed
Threaded hole	M12 x 1
Tightening torque	0,6 Nm
Width across flats	SW13
Cable outlet	straight
Material contact	Copper alloy
Coating contact	gold plated
Degree of protection (EN IEC 60529)	IP67, IP65

Commercial data

URL Webshop	https://shop.murrelektronik.com/7700-48511-S4W0500
GTIN	4048879603409
ECLASS-6.0	27061801
ECLASS-6.1	27060307
ECLASS-7.0	27060307
ECLASS-7.1	27060307
ECLASS-8.0	27060307
ECLASS-8.1	27060307
ECLASS-9.0	27060307
ECLASS-9.1	27060307
ECLASS-10.0.1	27060307
ECLASS-10.1	27060307
ECLASS-11.0	27060307
ECLASS-11.1	27060307
ECLASS-12.0	27060307
ECLASS-13.0	27060307
ECLASS-14.0	27060307
ETIM-5.0	EC002599
ETIM-6.0	EC002599
ETIM-7.0	EC002599
ETIM-8.0	EC002599
customs tariff number	85444290
EAN	4048879603409
Packaging unit	1

Electrical data | Supply

Operating voltage DC max.	60 V
Current operating per contact max.	1,5 A

Industrial Communication

Data transmission rate max.	1 Gbit/s
Transfer parameters	CAT5, Class D (ISO/IEC 11801:2002), (EN 50173-1)

Device protection | Electrical

Degree of protection (EN IEC 60529)	IP67, IP65
Additional condition protection degree	inserted, screwed
Pollution Degree	2
Rated surge voltage	0,8 kV
Material group (IEC 60664-1)	I

Mechanical data

Contour for corrugated hose	without
-----------------------------	---------

Mechanical data | Material data

Color housing	black
Material screw connection	Zinc die-casting

Coating of fitting nickel plated

Mechanical data | Mounting data

Mounting method inserted, screwed, Shaking protection

Environmental characteristics | Climatic

Operating temperature min. -30 °C

Operating temperature max. 85 °C

Additional condition temperature range depending on cable quality

Important installation notes

Note on bending radius **Attention:** Observe the permissible bending radii when laying cables, as the IP protection class can be endangered by excessive bending forces.

Note on strain relief Protect the connectors by suitable measures from mechanical loads, e.g. by the usage of cable ties.

Conformity

Product standard EN IEC 61076-2-101 (M12)

Installation | Cable

Cable identification S4W

Function cable Data

Stranding 4 × 2 wires stranded

Stranding (type 2) 1 × 4 stranding combinations stranded

Banding Foil

Wire arrangement (orange-white, orange), (blue-white, blue), (brown-white, brown), (green-white, green)

Cable weight 68 g/m

Material wire insulation HDPE

Amount wires 8

Outer diameter insulation 1,17 mm

Outer diameter tolerance core insulation ± 0,05 mm

Ingredient freeness wire insulation lead-free, CFC-free

Amount strands (wire) 7

Diameter of single wires 32 AWG

Conductor crosssection (wire) 24 AWG

Material conductor wire copper stranded wire, tinned

Outer-diameter (jacket) 7,6 mm

Tolerance outer diameter (sheath) ± 5 %

Material jacket TPE

Shore hardness jacket 80 ± 5 Shore A

Freedom from ingredients (jacket) lead-free, CFC-free

Conductor resistance (wire) 76.4 Ω/km @ 20 °C

Nominal voltage max. 600 V

Current load capacity (standard) to DIN VDE 0298-4

Current load capacity max. (wire) 2 A

Operating temperature min. (static) -40 °C

Operating temperature max. (static) 80 °C

Operating temperature min. (dynamic) -40 °C

Operating temperature max. (dynamic) 80 °C

Storage temperature min. -40 °C

Storage temperature max. 80 °C

Bending radius (fixed) 4 × Outer diameter

Bending radius (dynamic) 10 × Outer diameter

No. of bending cycles (C-track) 1 Mio. @ 25 °C

No. of torsion cycles 3 Mio. @ 25 °C

Torsion stress ± 270 °/m