

RJ45 male 0° / RJ45 male 0° shielded

TPE 22AWG SF/UTP CAT5e gn UL/CSA. ITC/PLTC 1.5m

Art.No.: 7700-74301-S7V0150

Weight: 0.124 kg

Country of origin: US

Model designation: MSRAL0-RA-8p4cS7V_1.5

Ethernet CAT5

Male straight – male straight

RJ45 – RJ45, 4-pole

Shielded

without cable sleeves

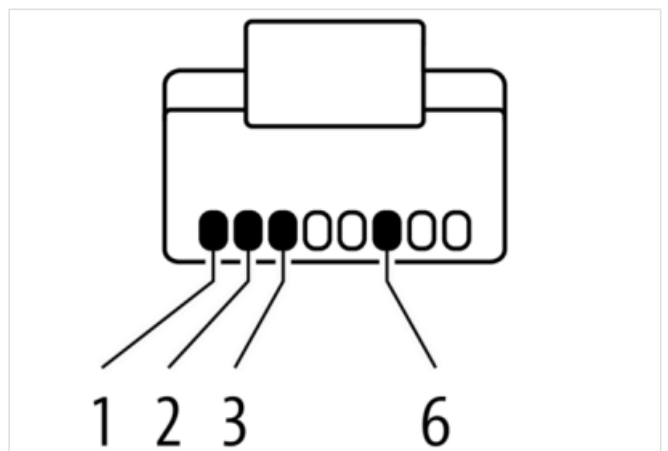
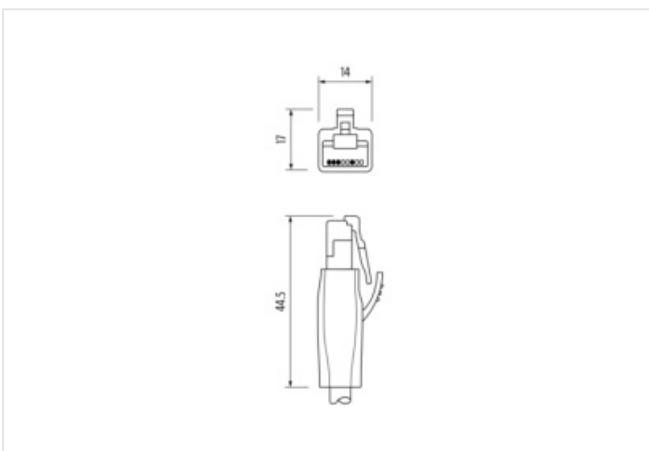
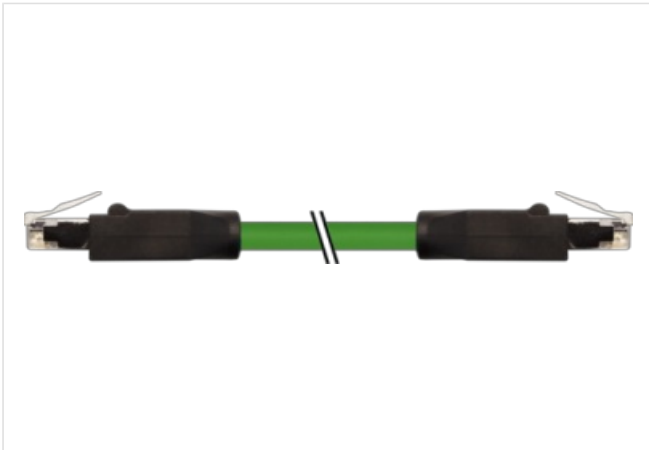
Protection cap

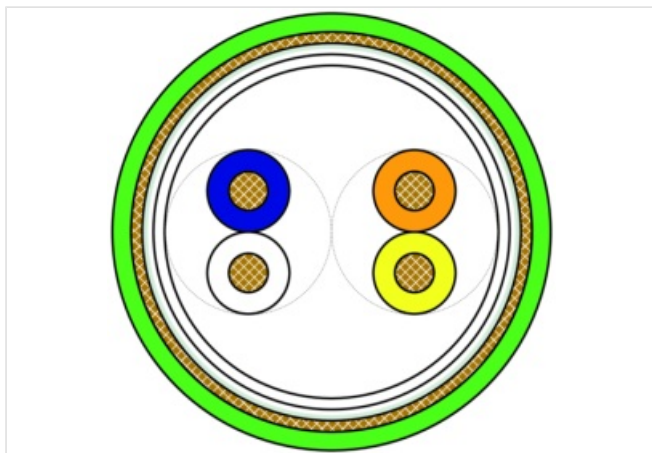
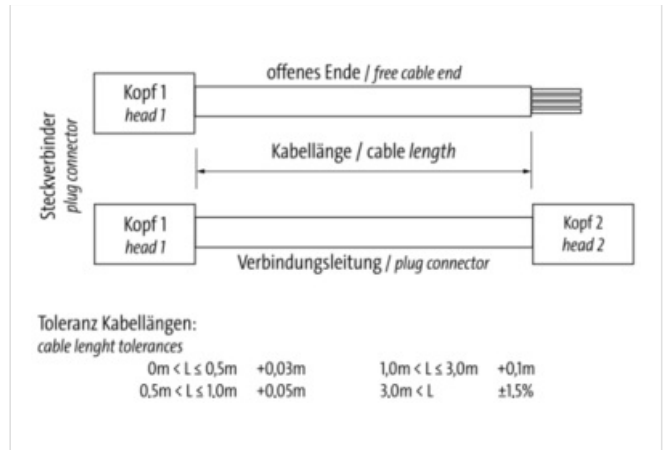
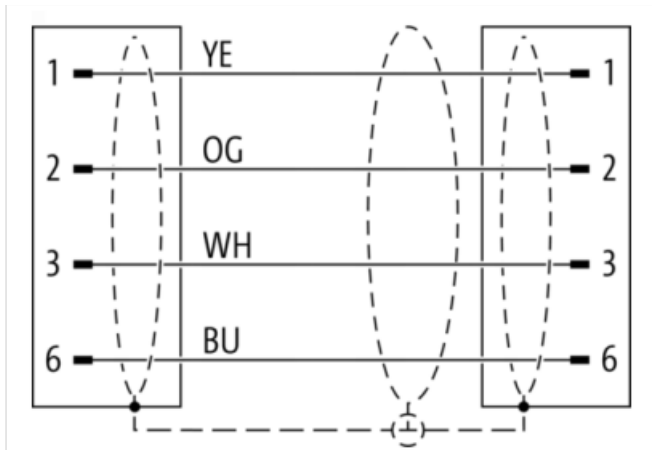
Transmission properties with channel transmission up to 100 m

Further cable lengths on request.

Plastic housings with good resistance against chemicals and oils.

The resistance to aggressive media should be individually tested for your application. Further details on request.

[Link to Product](#)**Illustration**



Product may differ from Image



Cable length	1,50 m
Side 1	
Family construction form	RJ45
No. of poles	4
Gender	male
Mounting method	inserted
Cable outlet	straight
Degree of protection (EN IEC 60529)	IP20
Side 2	
Family construction form	RJ45
No. of poles	4
Gender	male
Mounting method	inserted
Cable outlet	straight
Degree of protection (EN IEC 60529)	IP20
Commercial data	
URL Webshop	https://shop.murrelektronik.com/7700-74301-S7V0150

GTIN	4048879668743
Customs tariff number	85444210
ECLASS-6.0	27061801
ECLASS-6.1	27060307
ECLASS-7.0	27060307
ECLASS-7.1	27060307
ECLASS-8.0	27060307
ECLASS-8.1	27060307
ECLASS-9.0	27060307
ECLASS-9.1	27060307
ECLASS-10.0.1	27060307
ECLASS-10.1	27060307
ECLASS-11.0	27060307
ECLASS-11.1	27060307
ECLASS-12.0	27060307
ECLASS-13.0	27060307
ECLASS-14.0	27060307
ETIM-5.0	EC002599
ETIM-6.0	EC002599
ETIM-7.0	EC002599
ETIM-8.0	EC002599
customs tariff number	85444210
EAN	4048879668743
Packaging unit	1

Electrical data | Supply

Operating voltage DC max.	60 V
Current operating per contact max.	1,5 A

Industrial Communication

Data transmission rate max.	100 Mbit/s
Transfer parameters	CAT5, Class D (ISO/IEC 11801:2002), (EN 50173-1)

Industrial communication | Ethernet functionality

duplex	Full duplex
--------	-------------

Diagnostics

Status indication LED	No
-----------------------	----

Installation | Connection

Family construction form	RJ45
--------------------------	------

Device protection | Electrical

Additional condition protection degree	inserted, screwed
Pollution Degree	3
Rated surge voltage	1 kV
Material group (IEC 60664-1)	I

Mechanical data

Contour for corrugated hose	without
-----------------------------	---------

Mechanical data | Material data

housing	PUR
Locking material	PA

Mechanical data | Mounting data

Looking techniques	Snap-in connector
--------------------	-------------------

Environmental characteristics | Climatic

Operating temperature min.	-30 °C
Operating temperature max.	85 °C
Additional condition temperature range	depending on cable quality

Important installation notes

Note on bending radius	Attention: Observe the permissible bending radii when laying cables, as the IP protection class can be endangered by excessive bending forces.
Note on strain relief	Protect the connectors by suitable measures from mechanical loads, e.g. by the usage of cable ties.

Conformity

Product standard	EN IEC 60603-7 (RJ45)
------------------	-----------------------

Installation | Cable

Cable identification	S7V
Function cable	Data
Cable weight	68 g/m
UL AWM Style	2463 / 758
Stranding	2 × 2 wires stranded
Stranding (type 2)	1 × 2 stranding combinations stranded
Cable shielding (type)	copper braid, tinned
Cable shielding (coverage)	75 %
Banding	Foil
Wire arrangement	(WH, BU), (OG, YE)
Shield	shielded
Material wire insulation	HDPE
Amount wires	4
Outer diameter insulation	1.47 mm ± 0.05 mm
Conductor crosssection (wire)	22 AWG
Material conductor wire	copper stranded wire, tinned
Core construction (wire)	19
Ingredient freeness wire insulation	lead-free, CFC-free
Material jacket	TPE
Outer-diameter (jacket)	7.87 mm ± 5 %
Jacket Color	green / RAL 6018
Freedom from ingredients (jacket)	lead-free, CFC-free
Cable shielding (type)	copper braid, tinned
Cable shielding (coverage)	75 %
Conductor resistance (wire)	93.8 Ω/km @ 20 °C
Nominal voltage max.	600 V
Current load capacity max. (wire)	4,8 A
Current load capacity (standard)	to DIN VDE 0298-4
Cable type	Industrial Ethernet Profinet Typ B & C, CAT5e
Operating temperature (static)	-40 °C ... 80 °C
Operating temperature (dynamic)	-40 °C ... 80 °C
Oil resistance	UL 1277 (Oil Res II)
UV resistance	UL 444 § 7.22
Other resistances	resistant to welding sparks
Notes	application-related testing
Bending radius (fixed)	8 × Outer diameter
Bending radius (dynamic)	8 × Outer diameter
No. of bending cycles (C-track)	35 Mio. @ 25 °C
No. of torsion cycles	5 Mio.
Torsion stress	± 180 °/m