

Mini (7/8) 3 pole, Female 0° w/ Cable

TPE 3x16AWG ye UL/CSA, TC-ER

Art.No.: 7700-A3021-U1B0150

Weight: 0.187 kg

Country of origin: US

Model designation: MSCBL0-QU1B_1.5

Female straight

7/8" (3-pole)

Power cable

USA

without cable sleeves

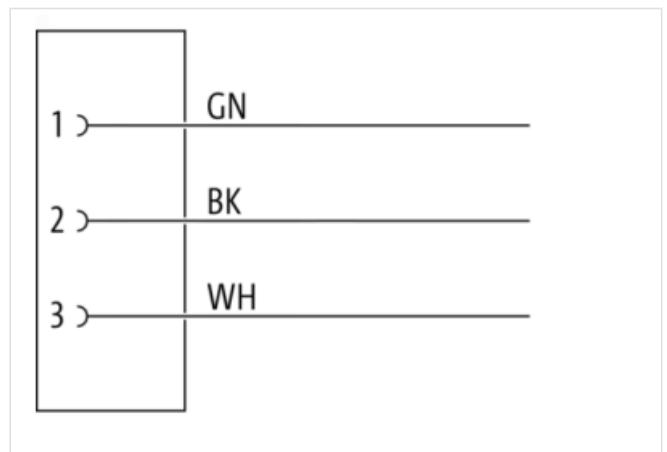
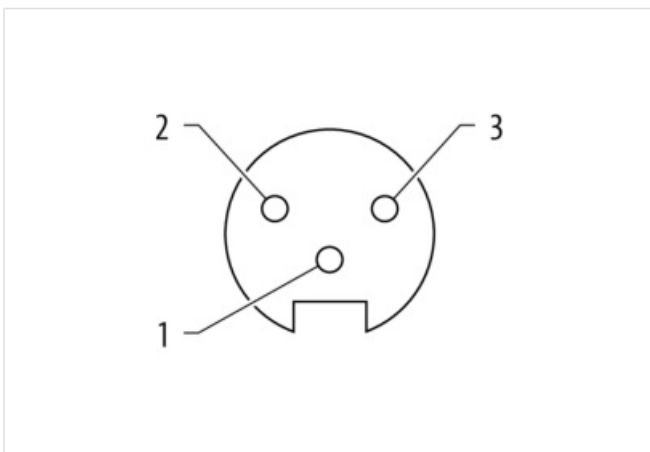
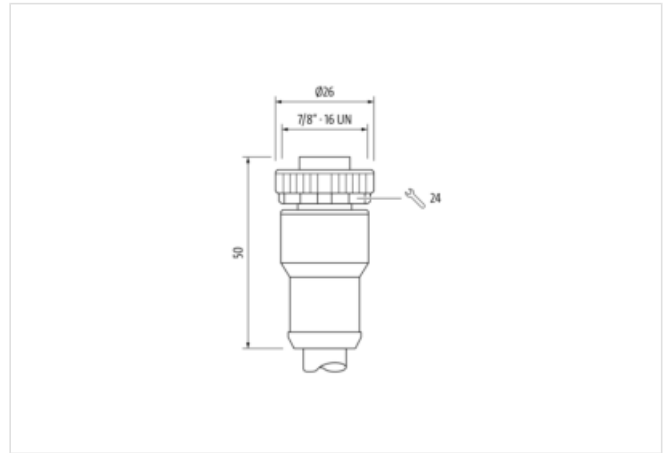
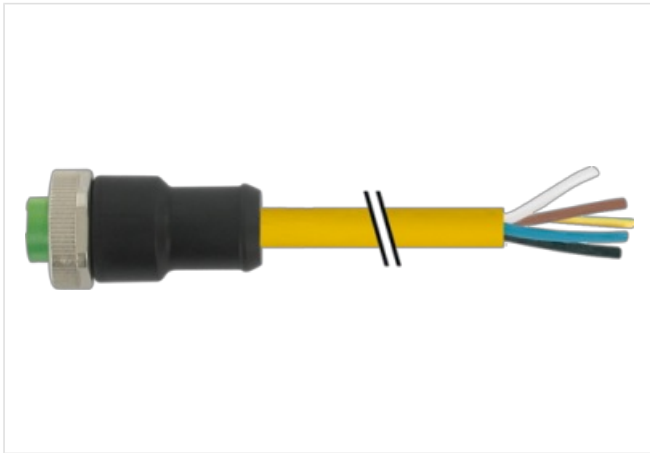
Further cable lengths on request.

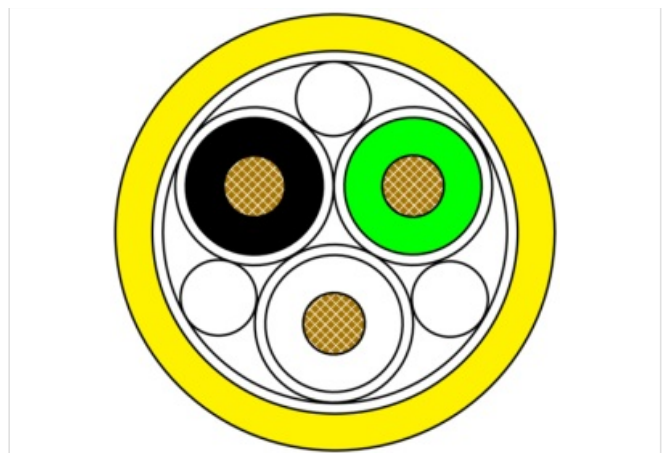
Plastic housings with good resistance against chemicals and oils.

The resistance to aggressive media should be individually tested for your application. Further details on request.

Link to Product

Illustration





Product may differ from Image



| | |
|---|---|
| Cable length | 1,50 m |
| Side 1 | |
| Family construction form | 7/8" |
| No. of poles | 3 |
| Gender | female |
| Mounting method | inserted, screwed |
| Threaded hole | 7/8" |
| Tightening torque | 1,5 Nm |
| Width across flats | SW24 |
| Cable outlet | straight |
| suitable for corrugated tube (internal Ø) | 17,8 mm |
| Commercial data | |
| URL Webshop | https://shop.murrelektronik.com/7700-A3021-U1B0150 |
| GTIN | 4048879634861 |
| ECLASS-6.0 | 27279218 |
| ECLASS-6.1 | 27279218 |
| ECLASS-7.0 | 27279218 |
| ECLASS-7.1 | 27279218 |
| ECLASS-8.0 | 27279218 |
| ECLASS-8.1 | 27279218 |
| ECLASS-9.0 | 27060327 |
| ECLASS-9.1 | 27060311 |
| ECLASS-10.0.1 | 27060311 |
| ECLASS-10.1 | 27060311 |
| ECLASS-11.0 | 27060311 |
| ECLASS-11.1 | 27060311 |
| ECLASS-12.0 | 27060327 |
| ECLASS-13.0 | 27060311 |
| ECLASS-14.0 | 27060311 |
| ETIM-5.0 | EC001855 |
| ETIM-6.0 | EC001855 |
| ETIM-7.0 | EC001855 |

| | |
|---|---|
| ETIM-8.0 | EC001855 |
| customs tariff number | 85444290 |
| EAN | 4048879634861 |
| Packaging unit | 1 |
| Electrical data Supply | |
| Operating voltage AC max. | 600 V |
| Operating voltage DC max. | 600 V |
| Current operating per contact max. | 12 A |
| Diagnostics | |
| Status indication LED | No |
| Device protection Electrical | |
| Degree of protection (EN IEC 60529) | IP68 |
| Additional condition protection degree | inserted, screwed |
| Pollution Degree | 3 |
| Rated surge voltage | 2,5 kV |
| Mechanical data Material data | |
| Material housing | PUR |
| Locking material | Zinc die-casting |
| Coating locking | Nickel |
| Mechanical data Mounting data | |
| Mounting method | inserted, screwed, Shaking protection |
| Environmental characteristics Climatic | |
| Operating temperature min. | -25 °C |
| Operating temperature max. | 80 °C |
| Additional condition temperature range | depending on cable quality |
| Important installation notes | |
| Note on bending radius | Attention: Observe the permissible bending radii when laying cables, as the IP protection class can be endangered by excessive bending forces. |
| Note on strain relief | Protect the connectors by suitable measures from mechanical loads, e.g. by the usage of cable ties. |
| Installation Cable | |
| Cable identification | U1B |
| Stranding | 1 × 3 wires stranded with 3 fillers |
| Banding | Nonwoven Polyester Tape wrap 25% overlap 100% coverage |
| Filler | Yes |
| Wire arrangement | black, green, white |
| Cable weight | 0 g/m |
| Material wire insulation | PVC |
| Amount wires | 3 |
| Outer diameter insulation | 2,62 mm |
| Outer diameter tolerance core insulation | ± 0,05 mm |
| Ingredient freeness wire insulation | lead-free, CFC-free |
| Amount strands (wire) | 65 |
| Diameter of single wires | 34 AWG |
| Conductor crosssection (wire) | 16 AWG |
| Material conductor wire | Stranded copper wire, bare |
| Outer-diameter (jacket) | 8,38 mm |
| Tolerance outer diameter (sheath) | ± 5 % |
| Material jacket | TPE |
| Freedom from ingredients (jacket) | lead-free, CFC-free, halogen-free |
| Conductor resistance (wire) | 13.2 Ω/km @ 20 °C |
| Nominal voltage max. | 600 V |

| | |
|--------------------------------------|---|
| Withstand voltage (wire - wire) | 6 kV @ 60 s |
| Withstand voltage (wire - jacket) | 6 kV @ 60 s |
| Current load capacity (standard) | according to NFPA-70 (NEC) : 400.5(A) (1-3) |
| Current load capacity max. (wire) | 10 A |
| Operating temperature min. (static) | -50 °C |
| Operating temperature max. (static) | 105 °C |
| Operating temperature min. (dynamic) | -20 °C |
| Operating temperature max. (dynamic) | 90 °C |
| Flame resistance | UL 1581 § 1164 |
| Oil resistance | good |
| Chemical resistance | good |
| Other resistances | good resistance to gasoline |
| Bending radius (fixed) | 8 × Outer diameter |
| Bending radius (dynamic) | 10 × Outer diameter |
| No. of bending cycles (C-track) | 2 Mio. @ 25 °C |
| Torsion stress | ± 90 °/m |