

**Mini (7/8) 3 pole, Female 0° w/ Cable**

PVC 3x16AWG ye UL/CSA, STOOW

Art.No.: 7700-A3021-UBB1000

Weight: 1.373 kg

Country of origin: DE

Model designation: MSCCL0-QUBB\_10.0

Female straight

7/8" (3-pole)

Power cable

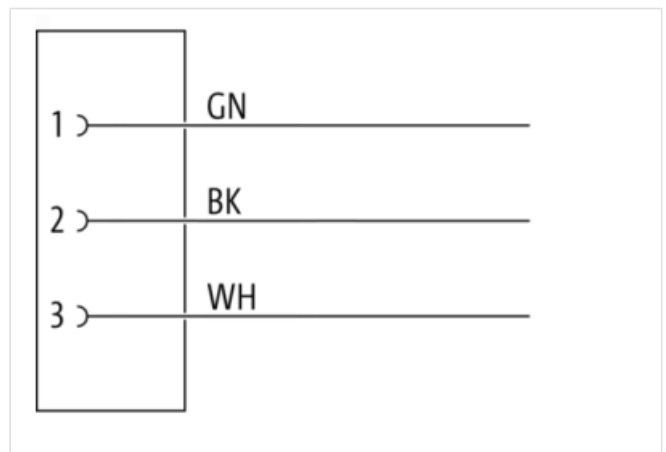
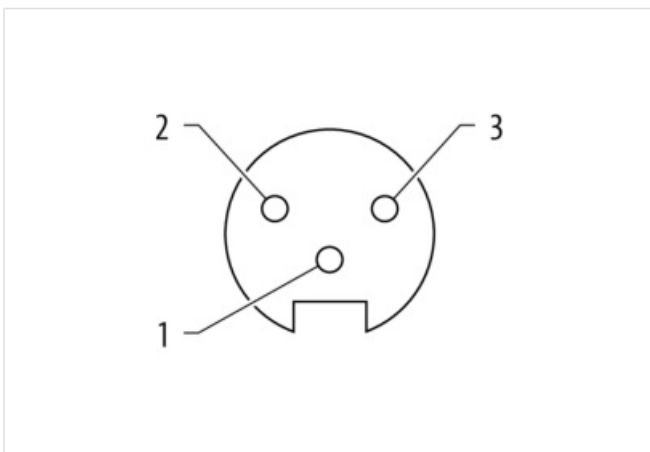
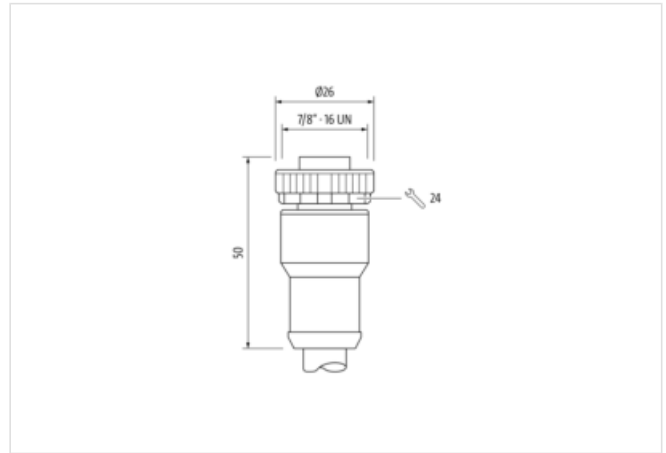
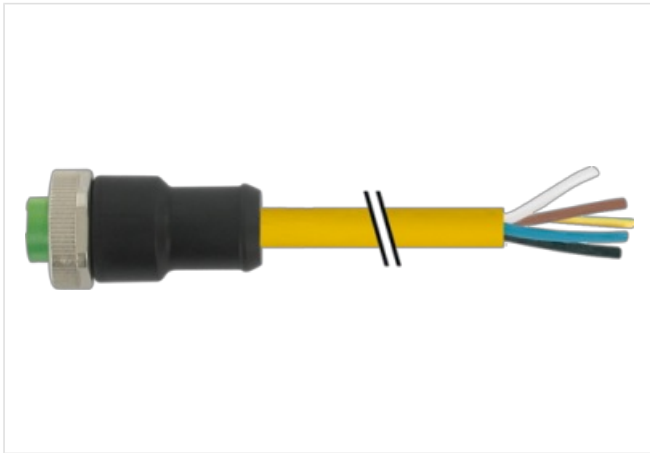
USA

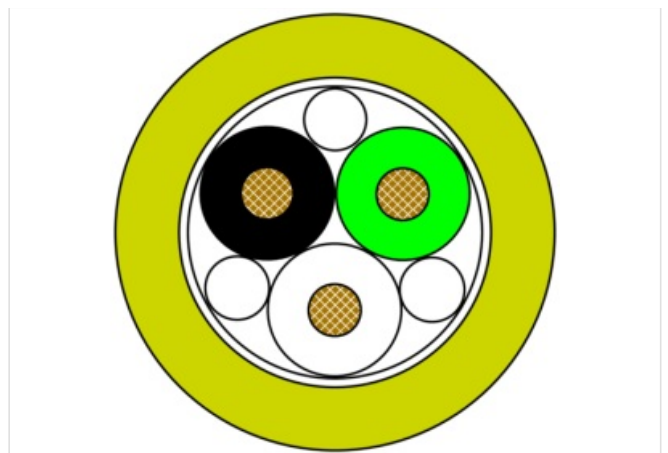
without cable sleeves

Further cable lengths on request.

Plastic housings with good resistance against chemicals and oils.

The resistance to aggressive media should be individually tested for your application. Further details on request.

**[Link to Product](#)****Illustration**



Product may differ from Image



Cable length	10,00 m
<b>Side 1</b>	
Family construction form	7/8"
No. of poles	3
Gender	female
Mounting method	inserted, screwed
Threaded hole	7/8"
Tightening torque	1,5 Nm
Width across flats	SW24
Cable outlet	straight
suitable for corrugated tube (internal Ø)	17,8 mm
<b>Commercial data</b>	
URL Webshop	<a href="https://shop.murrelektronik.com/7700-A3021-UBB1000">https://shop.murrelektronik.com/7700-A3021-UBB1000</a>
GTIN	4048879645348
ECLASS-6.0	27279218
ECLASS-6.1	27279218
ECLASS-7.0	27279218
ECLASS-8.0	27279218
ECLASS-9.0	27060327
ECLASS-10.1	27060311
ECLASS-11.1	27060311
ECLASS-12.0	27060327
ETIM-5.0	EC001855
ETIM-6.0	EC001855
ETIM-7.0	EC001855
ETIM-8.0	EC001855
customs tariff number	85444290
EAN	4048879645348
Packaging unit	1
<b>Electrical data   Supply</b>	
Operating voltage AC max.	600 V
Operating voltage DC max.	600 V

Current operating per contact max. 12 A

#### Diagnostics

Status indication LED No

#### Device protection | Electrical

Degree of protection (EN IEC 60529) IP68  
 Additional condition protection degree inserted, screwed  
 Pollution Degree 3  
 Rated surge voltage 2,5 kV

#### Mechanical data | Material data

Material housing PUR  
 Locking material Zinc die-casting  
 Coating locking Nickerled

#### Mechanical data | Mounting data

Mounting method inserted, screwed, Shaking protection

#### Environmental characteristics | Climatic

Operating temperature min. -25 °C  
 Operating temperature max. 80 °C  
 Additional condition temperature range depending on cable quality

#### Important installation notes

Note on bending radius **Attention:** Observe the permissible bending radii when laying cables, as the IP protection class can be endangered by excessive bending forces.  
 Note on strain relief Protect the connectors by suitable measures from mechanical loads, e.g. by the usage of cable ties.

#### Installation | Cable

Cable identification UBB  
 Stranding 1 Wires  
 Banding silk paper  
 Filler Yes  
 Wire arrangement black, green, white  
 Cable weight 125 g/m  
 Material wire insulation PVC  
 Amount wires 3  
 Outer diameter insulation 3,05 mm  
 Outer diameter tolerance core insulation ± 0,05 mm  
 Ingredient freeness wire insulation lead-free, CFC-free  
 Amount strands (wire) 26  
 Diameter of single wires 30 AWG  
 Conductor crosssection (wire) 16 AWG  
 Material conductor wire Stranded copper wire, bare  
 Outer-diameter (jacket) 10,03 mm  
 Tolerance outer diameter (sheath) ± 5 %  
 Material jacket PVC  
 Freedom from ingredients (jacket) lead-free, CFC-free  
 Conductor resistance (wire) 13.1 Ω/km @ 20 °C  
 Nominal voltage max. 600 V  
 Withstand voltage (wire - wire) 6 kV @ 60 s  
 Withstand voltage (wire - jacket) 6 kV @ 60 s  
 Current load capacity (standard) according to NFPA-70 (NEC) : 400.5(A) (1-3)  
 Current load capacity max. (wire) 10 A  
 Operating temperature min. (static) -50 °C  
 Operating temperature max. (static) 105 °C  
 Operating temperature min. (dynamic) -20 °C  
 Operating temperature max. (dynamic) 90 °C

---

Bending radius (fixed)	10 × Outer diameter
Bending radius (dynamic)	15 × Outer diameter