

Mini (7/8) 3 pole, Female 90° w/ Cable

PVC 3x16AWG ye UL/CSA, STOOW

Art.No.: 7700-A3031-UBB0150

Weight: 0.249 kg

Model designation: MSCDL0-QUBB_1.5

Female 90°

7/8" (3-pole)

Power cable

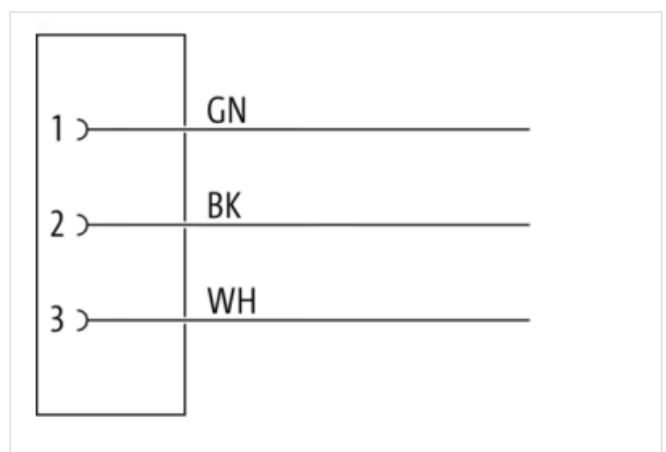
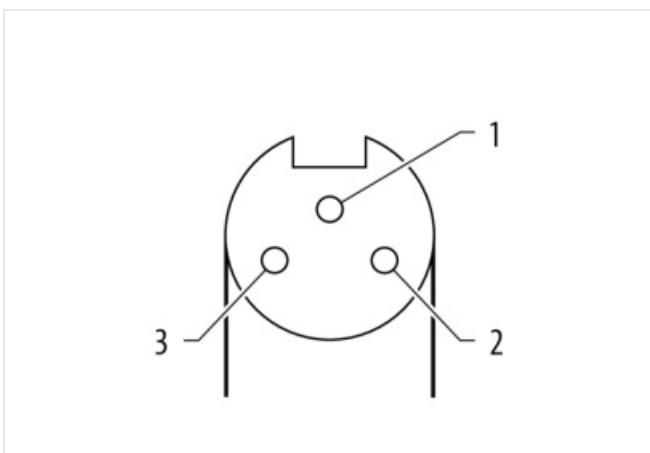
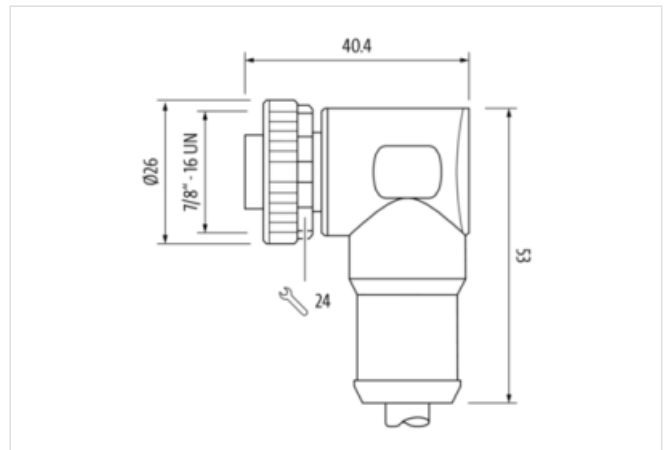
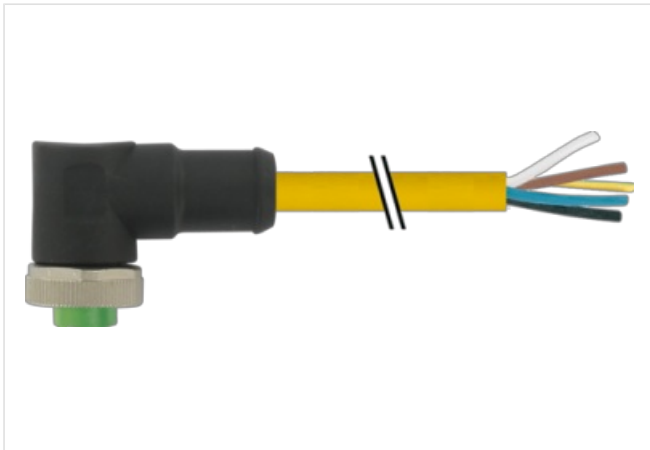
USA

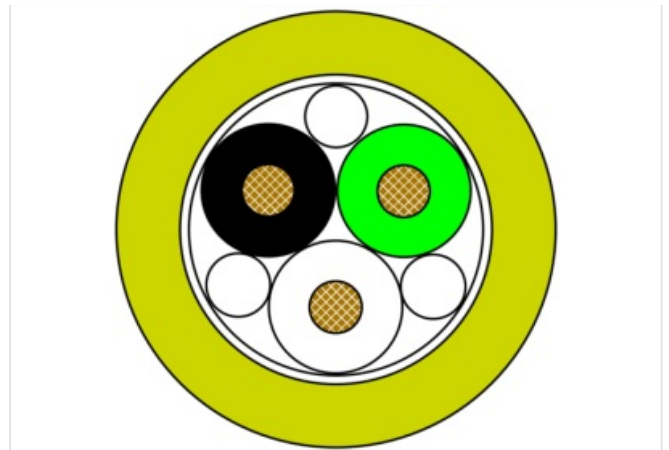
without cable sleeves

Further cable lengths on request.

Plastic housings with good resistance against chemicals and oils.

The resistance to aggressive media should be individually tested for your application. Further details on request.

[Link to Product](#)**Illustration**



Product may differ from Image



Cable length 1,50 m

Side 1

Family construction form	7/8"
No. of poles	3
Gender	female
Mounting method	inserted, screwed
Threaded hole	7/8"
Tightening torque	1,5 Nm
Width across flats	SW24
Cable outlet	angled
suitable for corrugated tube (internal Ø)	17,8 mm

Commercial data

URL Webshop	https://shop.murrelektronik.com/7700-A3031-UBB0150
GTIN	4048879634625
ECLASS-6.0	27279218
ECLASS-6.1	27279218
ECLASS-7.0	27279218
ECLASS-8.0	27279218
ECLASS-9.0	27060327
ECLASS-10.1	27060311
ECLASS-11.1	27060311
ECLASS-12.0	27060327
ETIM-5.0	EC001855
ETIM-6.0	EC001855
ETIM-7.0	EC001855
ETIM-8.0	EC001855
customs tariff number	85444290
EAN	4048879634625
Packaging unit	1

Electrical data | Supply

Operating voltage AC max.	600 V
Operating voltage DC max.	600 V

Current operating per contact max. 12 A

Diagnostics

Status indication LED No

Device protection | Electrical

Degree of protection (EN IEC 60529) IP68

Additional condition protection degree inserted, screwed

Pollution Degree 3

Rated surge voltage 2,5 kV

Mechanical data | Material data

Material housing PUR

Locking material Zinc die-casting

Coating locking Nickerled

Mechanical data | Mounting data

Mounting method inserted, screwed, Shaking protection

Environmental characteristics | Climatic

Operating temperature min. -25 °C

Operating temperature max. 80 °C

Additional condition temperature range depending on cable quality

Important installation notes

Note on bending radius **Attention:** Observe the permissible bending radii when laying cables, as the IP protection class can be endangered by excessive bending forces.

Note on strain relief Protect the connectors by suitable measures from mechanical loads, e.g. by the usage of cable ties.

Installation | Cable

Cable identification UBB

Stranding 1 Wires

Banding silk paper

Filler Yes

Wire arrangement black, green, white

Cable weight 125 g/m

Material wire insulation PVC

Amount wires 3

Outer diameter insulation 3,05 mm

Outer diameter tolerance core insulation $\pm 0,05$ mm

Ingredient freeness wire insulation lead-free, CFC-free

Amount strands (wire) 26

Diameter of single wires 30 AWG

Conductor crosssection (wire) 16 AWG

Material conductor wire Stranded copper wire, bare

Outer-diameter (jacket) 10,03 mm

Tolerance outer diameter (sheath) ± 5 %

Material jacket PVC

Freedom from ingredients (jacket) lead-free, CFC-free

Conductor resistance (wire) 13.1 Ω /km @ 20 °C

Nominal voltage max. 600 V

Withstand voltage (wire - wire) 6 kV @ 60 s

Withstand voltage (wire - jacket) 6 kV @ 60 s

Current load capacity (standard) according to NFPA-70 (NEC) : 400.5(A) (1-3)

Current load capacity max. (wire) 10 A

Operating temperature min. (static) -50 °C

Operating temperature max. (static) 105 °C

Operating temperature min. (dynamic) -20 °C

Operating temperature max. (dynamic) 90 °C

Bending radius (fixed)	10 × Outer diameter
Bending radius (dynamic)	15 × Outer diameter