

Mini (7/8) 3 pole, Male (Ext.) Straight/Female Straight,

TPE, TC-ER+FT4, 3x16AWG, yellow, 5m

Art.No.: 7700-A3A01-U1B0500

Weight: 0.563 kg

Country of origin: US

Model designation: MSCAL0-CB-QU1B_5.0

Advantages of our connectors:

Our connectors are versatile and specially optimised for industrial environments. All connectors are 100% tested during the manufacturing process to ensure the highest quality and reliability.

The contacts are gold-plated, which ensures optimum conductivity. Thanks to the high degree of protection, the connectors are ideal for demanding industrial environments. They are also vibration-resistant - this is ensured by the union nut with vibration protection.

Our connectors are resistant to oils and cooling lubricants, but resistance to aggressive media should be tested for each specific application. Different cable lengths available [on request](#)

If you are missing technical information? Please feel free to use our [dictionary](#) to find more technical details.

Product details:

Male straight – female straight

7/8" – 7/8", 3-pole

Power cable

USA

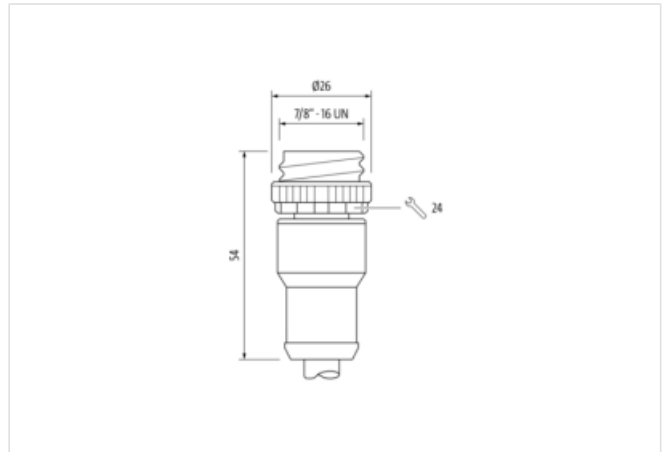
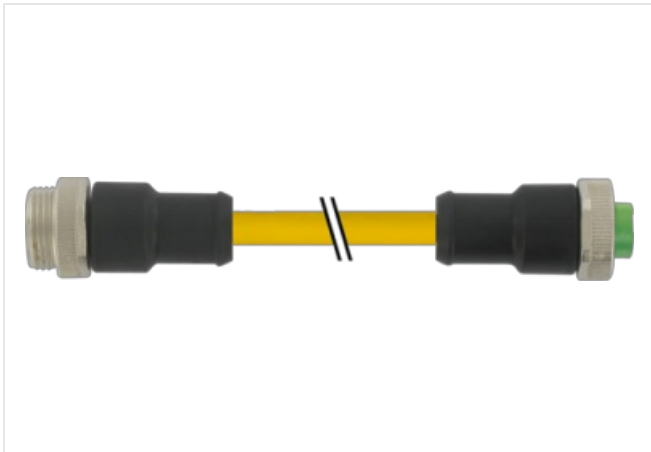
Further cable lengths on request.

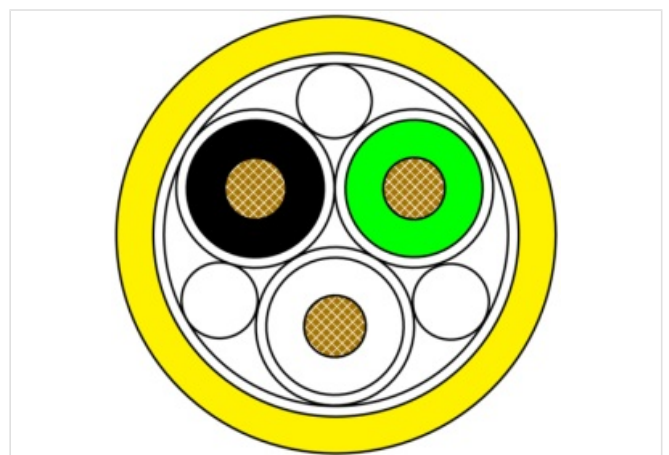
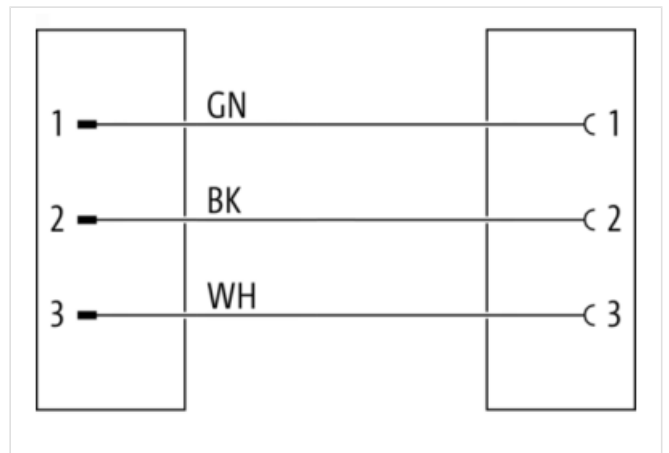
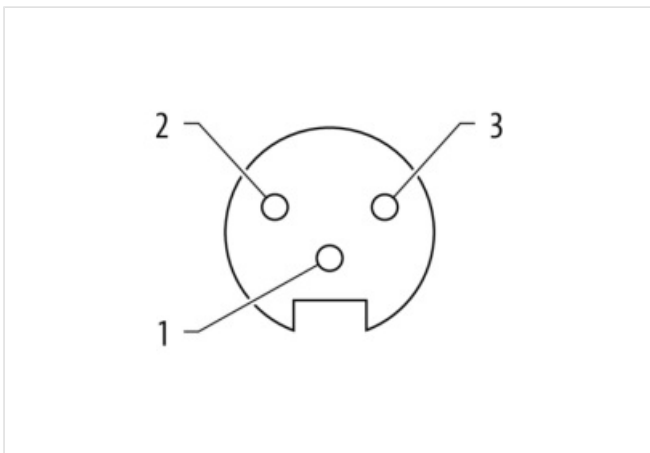
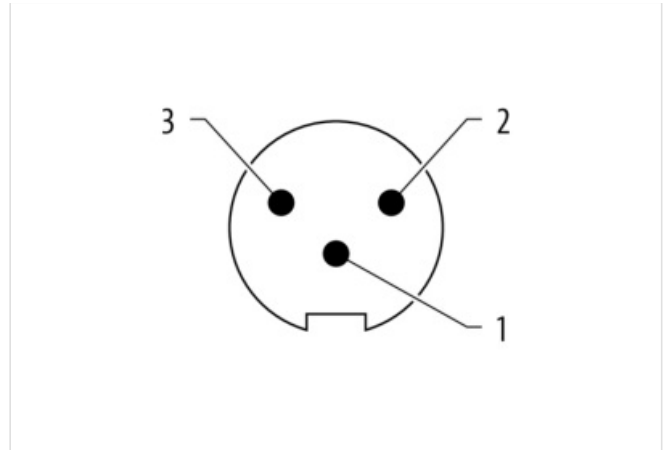
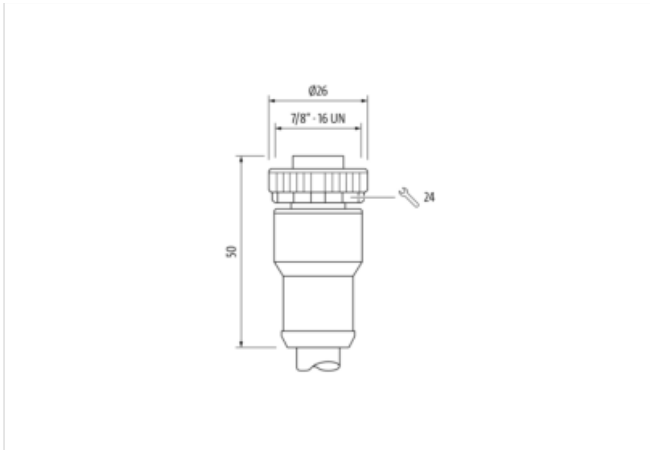
Plastic housings with good resistance against chemicals and oils.

The resistance to aggressive media should be individually tested for your application. Further details on request.

Link to Product

Illustration





Product may differ from image



Cable length 5,00 m

Side 1

Family construction form 7/8"

No. of poles	3
Gender	male
Mounting method	inserted, screwed
Threaded hole	7/8"
Tightening torque	1,5 Nm
Width across flats	SW24
Cable outlet	straight
suitable for corrugated tube (internal Ø)	17,8 mm
Degree of protection (EN IEC 60529)	IP68

Side 2

Family construction form	7/8"
No. of poles	3
Gender	female
Mounting method	inserted, screwed
Threaded hole	7/8"
Tightening torque	1,5 Nm
Width across flats	SW24
Cable outlet	straight
suitable for corrugated tube (internal Ø)	17,8 mm
Degree of protection (EN IEC 60529)	IP68

Commercial data

URL Webshop	https://shop.murrelektronik.com/7700-A3A01-U1B0500
GTIN	4048879645089
Customs tariff number	85444290
ECLASS-6.0	27279218
ECLASS-6.1	27279218
ECLASS-7.0	27279218
ECLASS-7.1	27279218
ECLASS-8.0	27279218
ECLASS-8.1	27279218
ECLASS-9.0	27060327
ECLASS-9.1	27060311
ECLASS-10.0.1	27060311
ECLASS-10.1	27060311
ECLASS-11.0	27060311
ECLASS-11.1	27060311
ECLASS-12.0	27060327
ECLASS-13.0	27060311
ECLASS-14.0	27060311
ETIM-5.0	EC001855
ETIM-6.0	EC001855
ETIM-7.0	EC001855
ETIM-8.0	EC001855
customs tariff number	85444290
EAN	4048879645089
Packaging unit	1

Electrical data | Supply

Operating voltage AC max.	600 V
Operating voltage DC max.	600 V
Current operating per contact max.	12 A

Device protection | Electrical

Degree of protection (EN IEC 60529)	IP68
Additional condition protection degree	inserted, screwed

Rated surge voltage 2,5 kV

Mechanical data | Material data

housing PUR
 Locking material Zinc die-casting
 Coating locking Nickeled

Mechanical data | Mounting data

Mounting method inserted, screwed, Shaking protection

Environmental characteristics | Climatic

Operating temperature min. -25 °C
 Operating temperature max. 80 °C
 Additional condition temperature range depending on cable quality

Important installation notes

Note on bending radius **Attention:** Observe the permissible bending radii when laying cables, as the IP protection class can be endangered by excessive bending forces.
 Note on strain relief Protect the connectors by suitable measures from mechanical loads, e.g. by the usage of cable ties.

Installation | Cable

Cable identification U1B
 Cable weight 0 g/m
 UL AWM Style 21002 / 1841
 Stranding 1 × 3 wires stranded with 3 fillers
 Banding Nonwoven Polyester Tape wrap 25% overlap 100% coverage
 Filler Yes
 Wire arrangement BK, GN, WH
 Material wire insulation PVC
 Amount wires 3
 Outer diameter insulation 2.62 mm ± 0.05 mm
 Conductor crosssection (wire) 16 AWG
 Material conductor wire Stranded copper wire, bare
 Core construction (wire) 65
 Ingredient freeness wire insulation lead-free, CFC-free
 Material jacket TPE
 Outer-diameter (jacket) 8.38 mm ± 5 %
 Jacket Color yellow / RAL 1021
 Freedom from ingredients (jacket) lead-free, CFC-free, halogen-free
 Conductor resistance (wire) 13.2 Ω/km @ 20 °C
 Nominal voltage max. 600 V
 Withstand voltage (wire - wire) 6 kV @ 60 s
 Withstand voltage (wire - jacket) 6 kV @ 60 s
 Current load capacity max. (wire) 10 A
 Current load capacity (standard) according to NFPA-70 (NEC) : 400.5(A) (1-3)
 Operating temperature (static) -50 °C ... 105 °C
 Operating temperature (dynamic) -20 °C ... 90 °C
 Flame resistance UL 1581 § 1164
 Oil resistance good
 Chemical resistance good
 Other resistances good resistance to gasoline
 Notes application-related testing
 Bending radius (fixed) 8 × Outer diameter
 Bending radius (dynamic) 10 × Outer diameter
 No. of bending cycles (C-track) 2 Mio. @ 25 °C
 Torsion stress ± 90 °/m