

Mini (7/8) 3 pole, Male (Ext.) Straight/Female Straight,

PVC, STOOW, 3x16AWG, yellow, 5m

Art.No.: 7700-A3A01-UBB0500

Weight: 0.743 kg

Country of origin: US

Model designation: MSCAL0-CB-QUBB_5.0

Advantages of our connectors:

Our connectors are versatile and specially optimised for industrial environments. All connectors are 100% tested during the manufacturing process to ensure the highest quality and reliability.

The contacts are gold-plated, which ensures optimum conductivity. Thanks to the high degree of protection, the connectors are ideal for demanding industrial environments. They are also vibration-resistant - this is ensured by the union nut with vibration protection.

Our connectors are resistant to oils and cooling lubricants, but resistance to aggressive media should be tested for each specific application. Different cable lengths available [on request](#)

If you are missing technical information? Please feel free to use our [dictionary](#) to find more technical details.

Product details:

Male straight – female straight

7/8" – 7/8", 3-pole

Power cable

USA

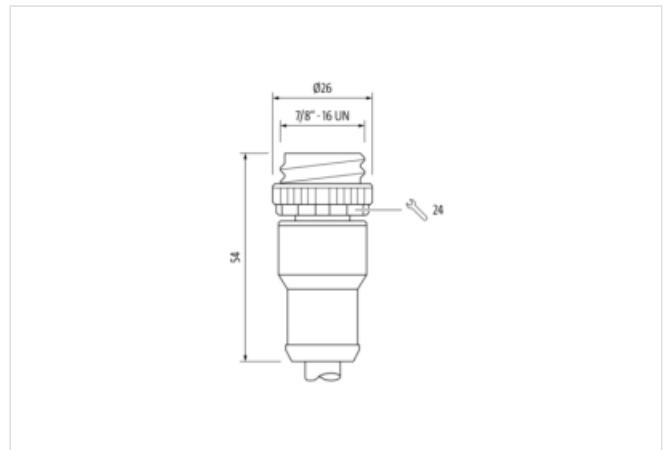
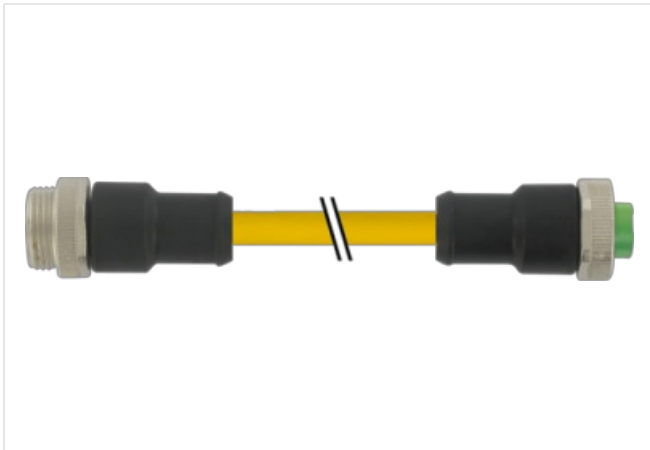
Further cable lengths on request.

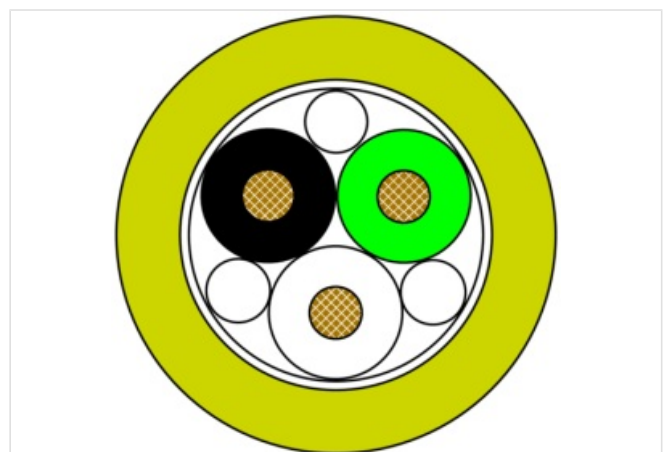
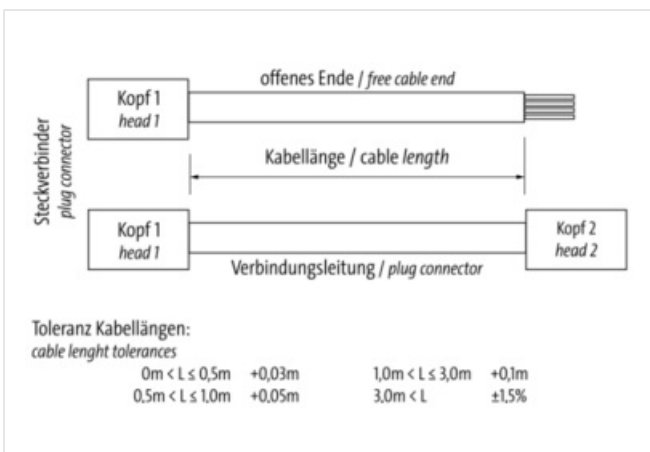
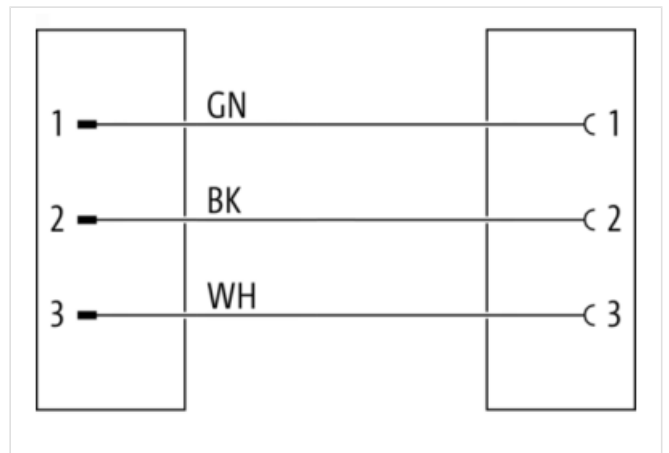
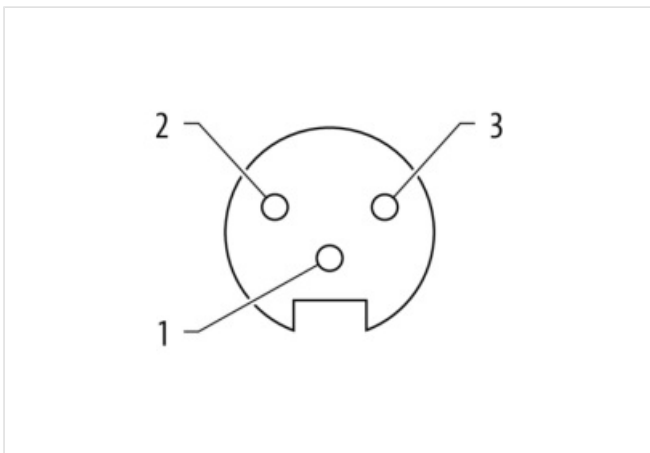
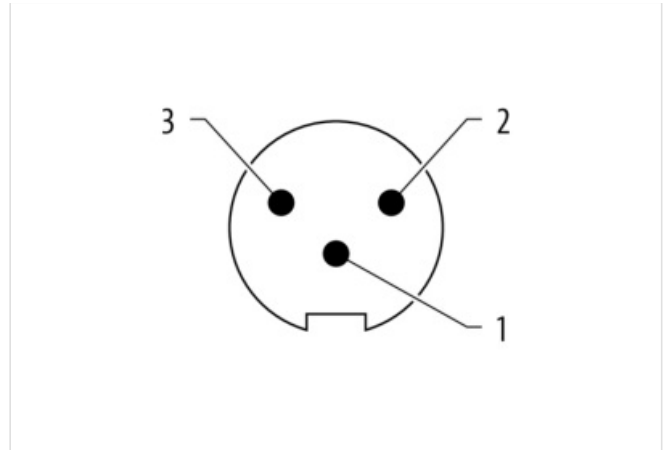
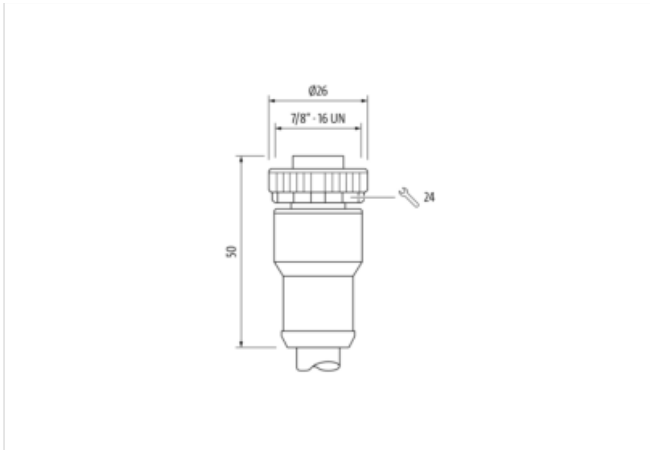
Plastic housings with good resistance against chemicals and oils.

The resistance to aggressive media should be individually tested for your application. Further details on request.

Link to Product

Illustration





Product may differ from Image



Cable length 5,00 m

Side 1

Family construction form 7/8"

Threaded hole	7/8"
Tightening torque	1,5 Nm
Width across flats	SW24

Side 2

Threaded hole	7/8"
Tightening torque	1,5 Nm

Commercial data

URL Webshop	https://shop.murrelektronik.com/7700-A3A01-UBB0500
GTIN	4048879645188
Customs tariff number	85444290
ECLASS-6.0	27279218
ECLASS-6.1	27279218
ECLASS-7.0	27279218
ECLASS-7.1	27279218
ECLASS-8.0	27279218
ECLASS-8.1	27279218
ECLASS-9.0	27060327
ECLASS-9.1	27060311
ECLASS-10.0.1	27060311
ECLASS-10.1	27060311
ECLASS-11.0	27060311
ECLASS-11.1	27060311
ECLASS-12.0	27060327
ECLASS-13.0	27060311
ECLASS-14.0	27060311
ETIM-5.0	EC001855
ETIM-6.0	EC001855
ETIM-7.0	EC001855
ETIM-8.0	EC001855
customs tariff number	85444290
EAN	4048879645188
Packaging unit	1

Electrical data | Supply

Operating voltage AC max.	600 V
Operating voltage DC max.	600 V
Current operating per contact max.	12 A

Device protection | Electrical

Degree of protection (EN IEC 60529)	IP68
Additional condition protection degree	inserted, screwed

Mechanical data | Material data

housing	PUR
Locking material	Zinc die-casting
Coating locking	Nickeled

Mechanical data | Mounting data

Mounting method	inserted, screwed, Shaking protection
-----------------	---------------------------------------

Environmental characteristics | Climatic

Operating temperature min.	-25 °C
Operating temperature max.	80 °C
Additional condition temperature range	depending on cable quality

Important installation notes

Note on bending radius

Attention: Observe the permissible bending radii when laying cables, as the IP protection class can be endangered by excessive bending forces.

Note on strain relief

Protect the connectors by suitable measures from mechanical loads, e.g. by the usage of cable ties.

Installation | Cable

Cable identification	UBB
Cable weight	125 g/m
UL AWM Style	STOOW / 1015
Stranding	1 Wires
Banding	silk paper
Filler	Yes
Wire arrangement	BK, GN, WH
Material wire insulation	PVC
Amount wires	3
Outer diameter insulation	3.05 mm ± 0.05 mm
Conductor crosssection (wire)	16 AWG
Material conductor wire	Stranded copper wire, bare
Core construction (wire)	26
Ingredient freeness wire insulation	lead-free, CFC-free
Material jacket	PVC
Outer-diameter (jacket)	10.03 mm ± 5 %
Jacket Color	yellow / RAL 1021
Freedom from ingredients (jacket)	lead-free, CFC-free
Conductor resistance (wire)	13.1 Ω/km @ 20 °C
Nominal voltage max.	600 V
Withstand voltage (wire - wire)	6 kV @ 60 s
Withstand voltage (wire - jacket)	6 kV @ 60 s
Current load capacity max. (wire)	10 A
Current load capacity (standard)	according to NFPA-70 (NEC) : 400.5(A) (1-3)
Operating temperature (static)	-50 °C ... 105 °C
Operating temperature (dynamic)	-20 °C ... 90 °C
Bending radius (fixed)	10 × Outer diameter
Bending radius (dynamic)	15 × Outer diameter