

Mini (7/8) 5 pole, Female 0° w/ Cable

TPE 5x16AWG ye UL/CSA, TC-ER

Art.No.: 7700-A5021-U1D0500

Weight: 0.526 kg

Country of origin: US

Model designation: MSCBL0-UU1D_5.0

Female straight

7/8" (5-pole)

Power cable

USA

without cable sleeves

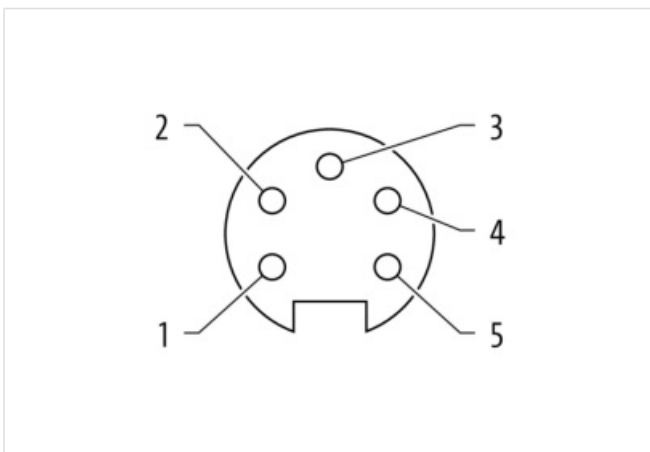
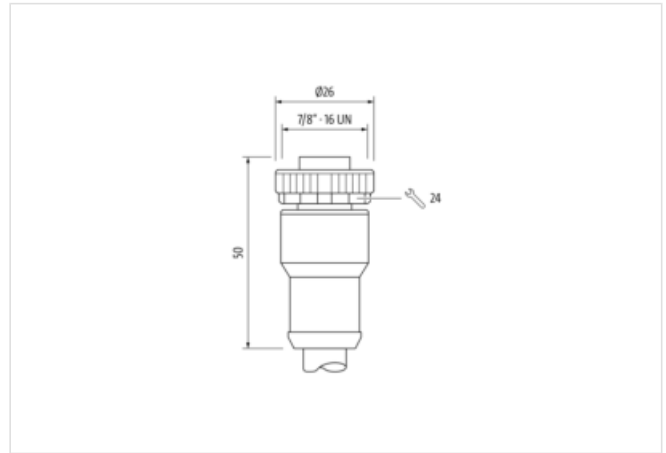
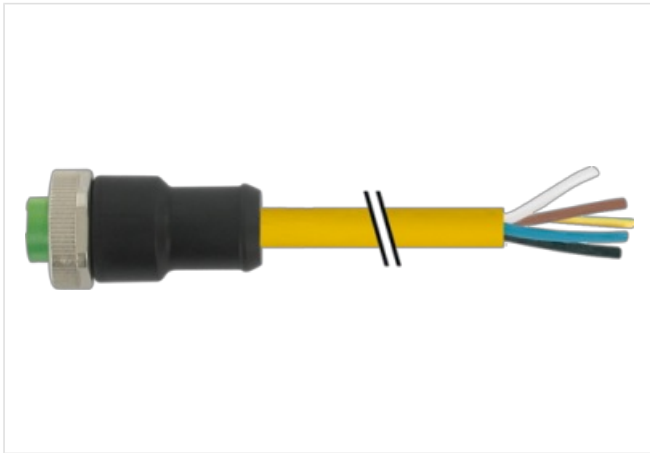
Further cable lengths on request.

Plastic housings with good resistance against chemicals and oils.

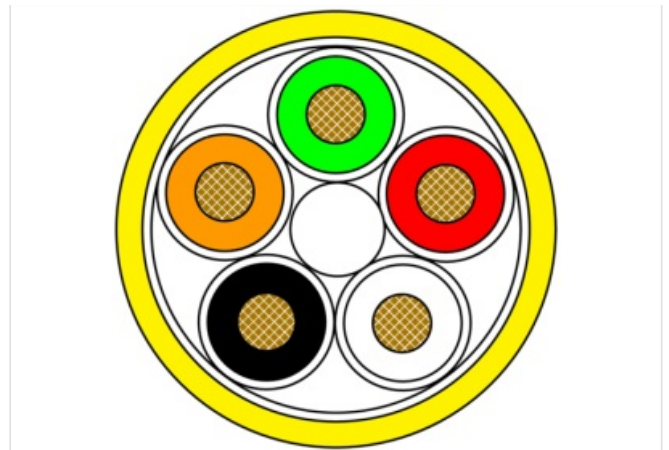
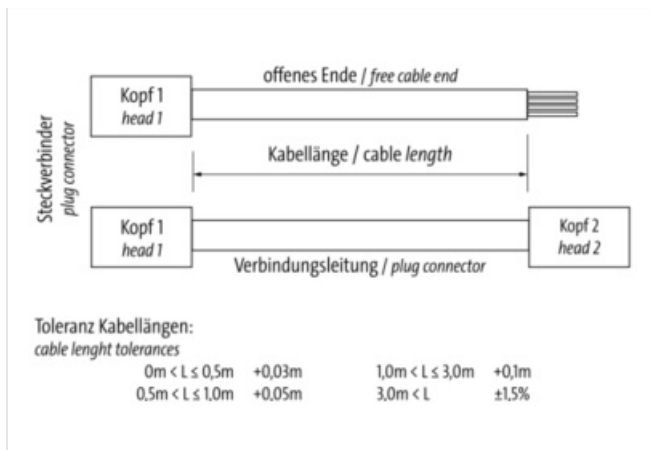
The resistance to aggressive media should be individually tested for your application. Further details on request.

Link to Product

Illustration



| | |
|---|----|
| 1 | WH |
| 2 | RD |
| 3 | GN |
| 4 | OG |
| 5 | BK |



Product may differ from Image



Cable length 5,00 m

Side 1

| | |
|---|-------------------|
| Family construction form | 7/8" |
| No. of poles | 5 |
| Gender | female |
| Mounting method | inserted, screwed |
| Threaded hole | 7/8" |
| Tightening torque | 1,5 Nm |
| Width across flats | SW24 |
| Cable outlet | straight |
| suitable for corrugated tube (internal Ø) | 17,8 mm |

Side 2

Family construction form free cable end

Commercial data

| | |
|-----------------------|---|
| URL Webshop | https://shop.murrelektronik.com/7700-A5021-U1D0500 |
| GTIN | 4048879665957 |
| Customs tariff number | 85444290 |
| ECLASS-6.0 | 27279218 |
| ECLASS-6.1 | 27279218 |
| ECLASS-7.0 | 27279218 |
| ECLASS-7.1 | 27279218 |
| ECLASS-8.0 | 27279218 |
| ECLASS-8.1 | 27279218 |
| ECLASS-9.0 | 27060327 |
| ECLASS-9.1 | 27060311 |
| ECLASS-10.0.1 | 27060311 |
| ECLASS-10.1 | 27060311 |
| ECLASS-11.0 | 27060311 |
| ECLASS-11.1 | 27060311 |
| ECLASS-12.0 | 27060327 |
| ECLASS-13.0 | 27060311 |
| ECLASS-14.0 | 27060311 |

| | |
|-----------------------|---------------|
| ETIM-5.0 | EC001855 |
| ETIM-6.0 | EC001855 |
| ETIM-7.0 | EC001855 |
| ETIM-8.0 | EC001855 |
| customs tariff number | 85444290 |
| EAN | 4048879665957 |
| Packaging unit | 1 |

Electrical data | Supply

| | |
|------------------------------------|-------|
| Operating voltage AC max. | 600 V |
| Operating voltage DC max. | 600 V |
| Current operating per contact max. | 9 A |

Diagnostics

| | |
|-----------------------|----|
| Status indication LED | No |
|-----------------------|----|

Device protection | Electrical

| | |
|--|-------------------|
| Degree of protection (EN IEC 60529) | IP68 |
| Additional condition protection degree | inserted, screwed |
| Pollution Degree | 3 |
| Rated surge voltage | 2,5 kV |

Mechanical data | Material data

| | |
|------------------|------------------|
| housing | PUR |
| Locking material | Zinc die-casting |
| Coating locking | Nickeled |

Mechanical data | Mounting data

| | |
|-----------------|---------------------------------------|
| Mounting method | inserted, screwed, Shaking protection |
|-----------------|---------------------------------------|

Environmental characteristics | Climatic

| | |
|--|----------------------------|
| Operating temperature min. | -25 °C |
| Operating temperature max. | 80 °C |
| Additional condition temperature range | depending on cable quality |

Important installation notes

| | |
|------------------------|---|
| Note on bending radius | Attention: Observe the permissible bending radii when laying cables, as the IP protection class can be endangered by excessive bending forces. |
| Note on strain relief | Protect the connectors by suitable measures from mechanical loads, e.g. by the usage of cable ties. |

Installation | Cable

| | |
|-------------------------------------|--|
| Cable identification | U1D |
| Cable weight | 131 g/m |
| UL AWM Style | 21002 / 1841 |
| Stranding | 1 × 5 wires around core filler twisted |
| Banding | Nonwoven Polyester Tape wrap 25% overlap 100% coverage |
| Filler | Yes |
| Wire arrangement | OG, GN, RD, WH, BK |
| Material wire insulation | PVC |
| Amount wires | 5 |
| Outer diameter insulation | 2.62 mm ± 0.05 mm |
| Conductor crosssection (wire) | 16 AWG |
| Material conductor wire | Stranded copper wire, bare |
| Core construction (wire) | 65 |
| Ingredient freeness wire insulation | lead-free, CFC-free |
| Material jacket | TPE |
| Outer-diameter (jacket) | 9.78 mm ± 5 % |
| Jacket Color | yellow / RAL 1021 |
| Freedom from ingredients (jacket) | lead-free, CFC-free, halogen-free |

| | |
|-----------------------------------|---|
| Conductor resistance (wire) | 13.2 Ω /km @ 20 °C |
| Nominal voltage max. | 600 V |
| Withstand voltage (wire - wire) | 6 kV @ 60 s |
| Withstand voltage (wire - jacket) | 6 kV @ 60 s |
| Current load capacity max. (wire) | 8 A |
| Current load capacity (standard) | according to NFPA-70 (NEC) : 400.5(A) (1-3) |
| Operating temperature (static) | -50 °C ... 105 °C |
| Operating temperature (dynamic) | -20 °C ... 90 °C |
| Flame resistance | UL 1581 § 1164 |
| Oil resistance | good |
| Chemical resistance | good |
| Other resistances | good resistance to gasoline |
| Notes | application-related testing |
| Bending radius (fixed) | 8 × Outer diameter |
| Bending radius (dynamic) | 10 × Outer diameter |
| No. of bending cycles (C-track) | 2 Mio. @ 25 °C |
| Torsion stress | \pm 90 °/m |